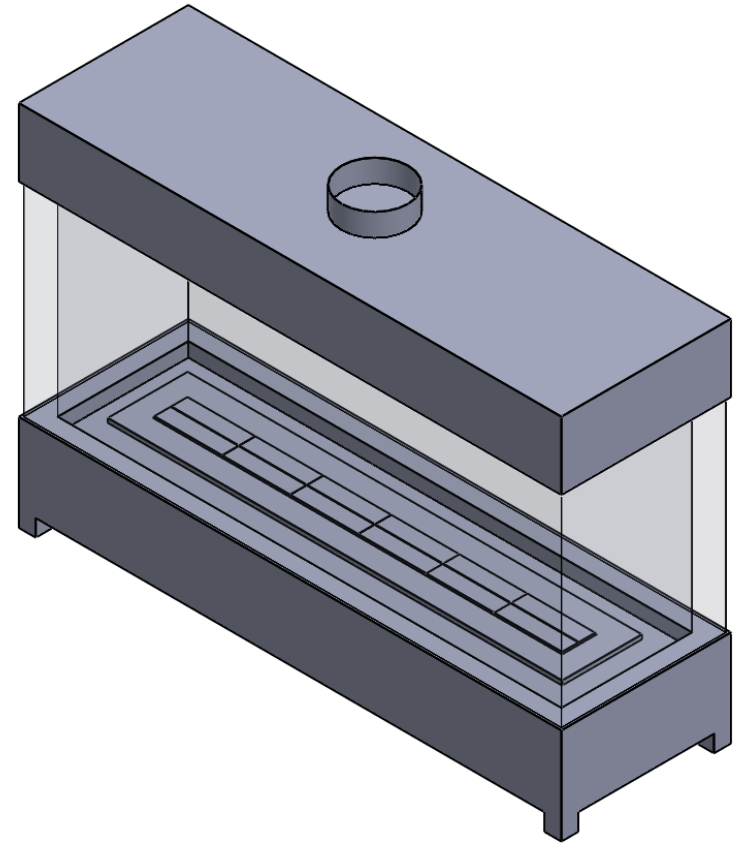
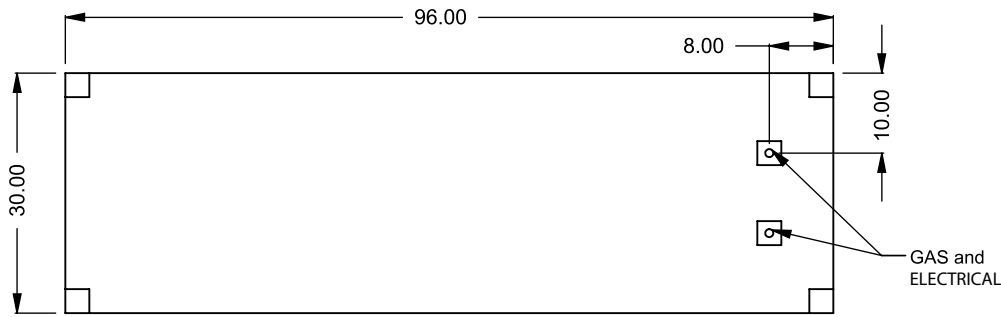
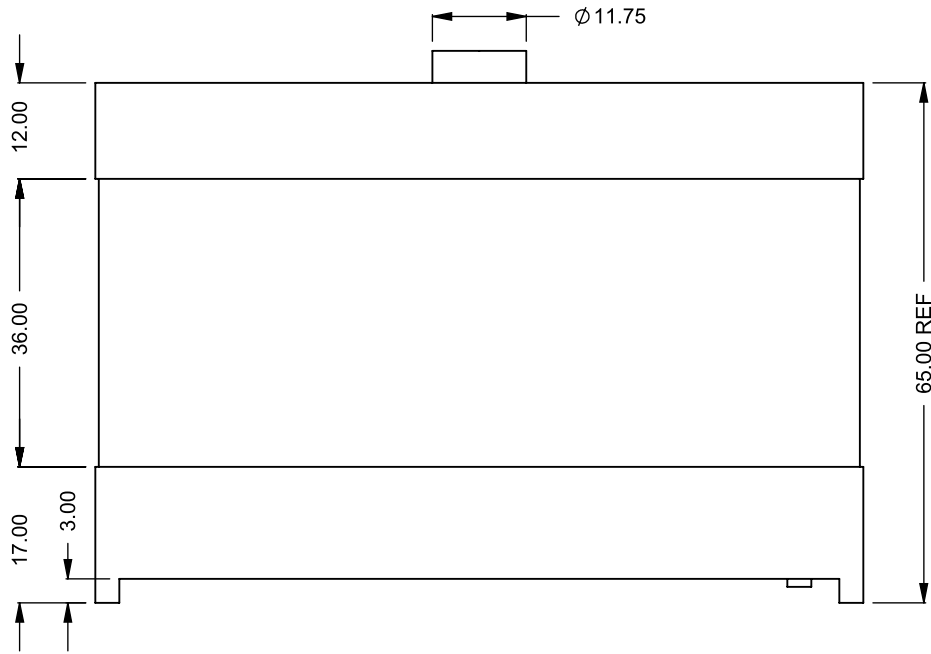


! **EXAMPLE CONFIGURATION ONLY**
 This fireplace model is highly customizable. Refer to model specifications for minimum and maximum allowable dimensions.



C4W8 96x30x36
 Power COOL-Pack
 Bottom Intake

PRELIMINARY DRAWING	UNLESS OTHERWISE SPECIFIED	DATE
C4W SERIES UNITS ARE CUSTOM BUILT FOR EACH PROJECT. THIS DRAWING IS FOR REFERENCE ONLY. FLUE AND AIR INTAKE SIZES ARE SUBJECT TO CHANGE DEPENDING ON VENT RUN.	DIMENSIONS ARE IN INCHES TOLERANCES: FRACTIONAL $\pm 1/32"$ TWO PLACE DECIMAL $\pm .015"$ THREE PLACE DECIMAL $\pm .005"$ TO BE 90° UNLESS NOTED OTHERWISE	03/02/2016

MONTIGO
 the art of fireplaces
 www.montigo.com