

SPEC SHEET

H Series

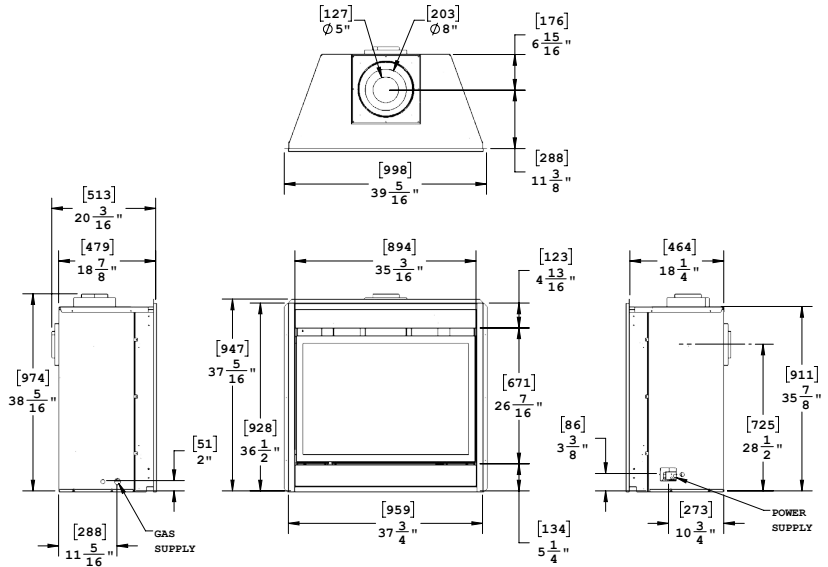
H38 & HW38

MONTIGO®

TRADITIONAL GAS FIREPLACE

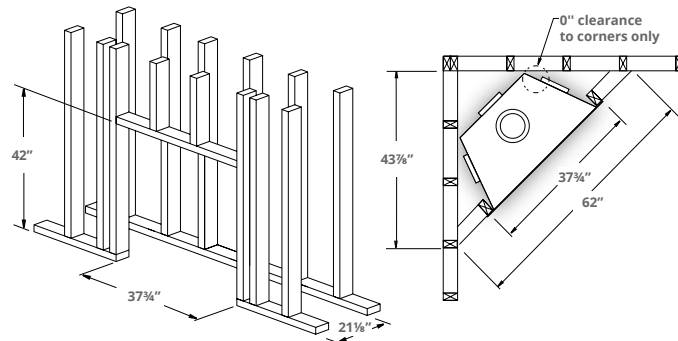
DIMENSIONS

PART	ACTUAL	FRAMING
FRONT WIDTH	37 $\frac{3}{4}$ "	37 $\frac{3}{4}$ "
BACK WIDTH	24"	37 $\frac{3}{4}$ "
HEIGHT	36 $\frac{1}{2}$ "	42"
DEPTH	18 $\frac{1}{2}$ "	21 $\frac{1}{2}$ "
VIEWING AREA	35 $\frac{1}{4}$ " X 26 $\frac{3}{8}$ "	N/A



FEATURES

- Snap-lock door for access to firebox
- Power vent capable
- Clean face design
- Snap-lock door for access to the firebox
- Hi/lo control to adjust flame level
- Convertible to top or rear flue vent
- Power vent compatible



TECHNICAL SPECIFICATIONS

H38 Comes standard with:

- Door screen
- Hi/lo control to adjust flame
- 26,000 BTU Traditional burner + fiber logset

H38 Options:

- Designer river rock kit (for natural gas only)
- Wrought iron grate
- Remote control
- Fireplace surround in satin black or stainless steel
- Traditional brick refractory and porcelain panels

HW38 Comes standard with:

- Door screen
- Hi/lo control to adjust flame level
- 34,000 BTU Wildfire burner + logset
- Herringbone fiber brick refractory

HW38 Options:

- Remote control
- Fireplace surround in satin black or stainless steel
- Porcelain panel refractory