

Installing the HFK50 Fan Kit for Proflame 2

MONTIGO®

For use with:

H*34-DF/DL; L38-DF

H*38-DF/DL; L42-DF

H*-DF/DL; L52-DF

* = C, L, P, R, W



⚠ CAUTION

Ensure that all power to the appliance is off at the electrical breaker or fuse before beginning installation. Ensure gas is turned off at the shutoff valve before beginning installation.

⚠ WARNING

Some materials used in the manufacturing process of this product can expose you to Benzene which is known in the State of California to cause cancer and birth defects or other reproductive harm. For more information go to www.P65warnings.ca.gov



- This kit should be installed by a qualified person.
- Check local codes and read all instructions prior to installation.

⚠ WARNING

When installing the fireplace - gas lines, fittings, accessories or any other objects cannot impede the proper movement of the door buckles.

General Information

This blower kit is for installation with the models listed above.

Before You Begin

Ensure that the power supply has been turned off at the breaker or fuse before beginning the installation.

Shut off the gas supply at the shut-off valve, and ensure that the main burner and pilot light have been turned off and the fireplace has been cooled off for at least two hours before installation.

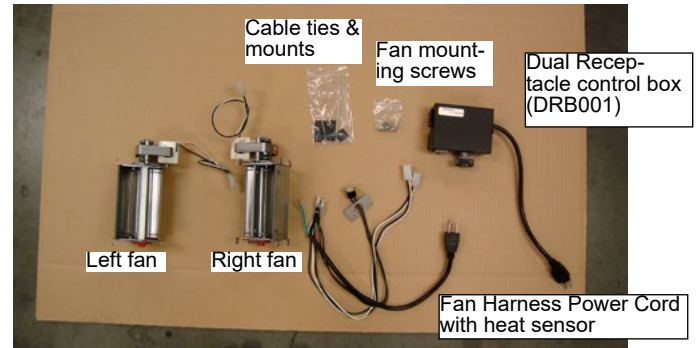


Figure 1 Contents of HFK50 Fan Kit package.

KIT #	Contents
HFK50	2x blowers, 1x fan cord assembly with heat sensor switch, Fan Speed Controller with Dual Receptacle (DRB001), 4x mounting screws, Velcro strips, self-adhesive cable tie mounts and cable ties.



Installation

Installation

1. Remove burner tray if required (follow instructions in the fireplace installation manual).

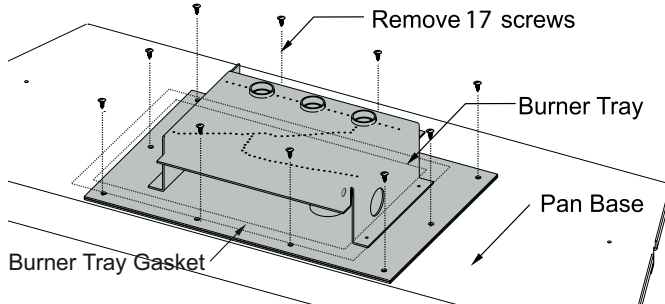


Figure 2 Removing the burner tray (L38DF, L42DF, L52DF models only).

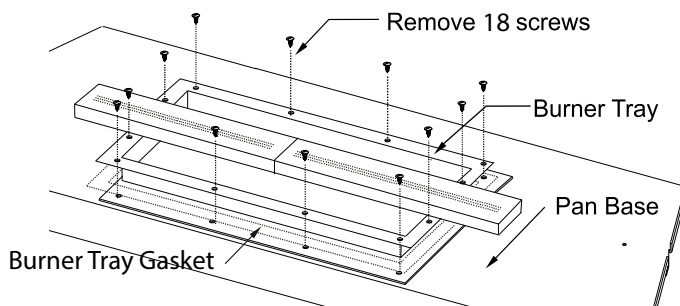


Figure 3 Removing the burner tray (L38DF, L42DF, L52DF models only).

2. Install the left fan as shown in **Figure 4** to the bracket underneath the firebox using the screws supplied (motor should be oriented towards the back side of the fireplace).

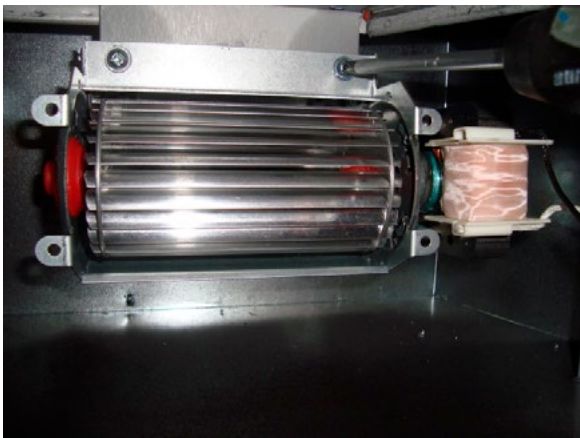


Figure 4 Install left fan to bracket

3. Install the right fan as shown in **Figure 6** to the bracket underneath the firebox using the screws supplied (motor should be oriented towards the back side of the fireplace).

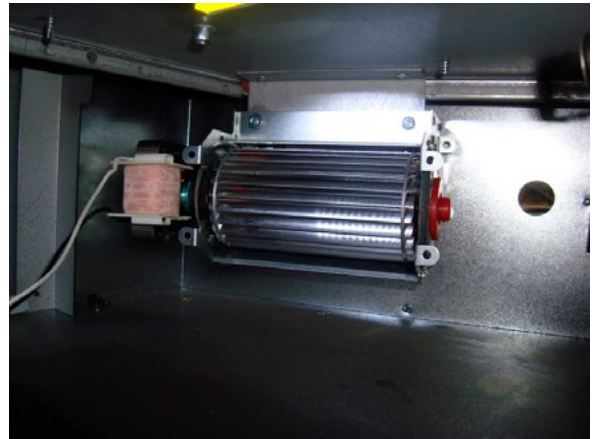


Figure 5 Install right fan to bracket

4. Attach the DRB001 using the supplied Velcro strips to the floor of the fireplace. **Note:** ensure that control box clears the door buckle.

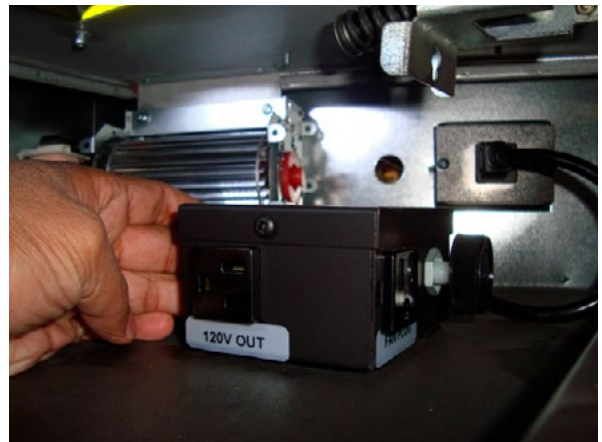


Figure 6 Attach the DRB001

5. Plug DRB001 Power Cord to the PPO box.

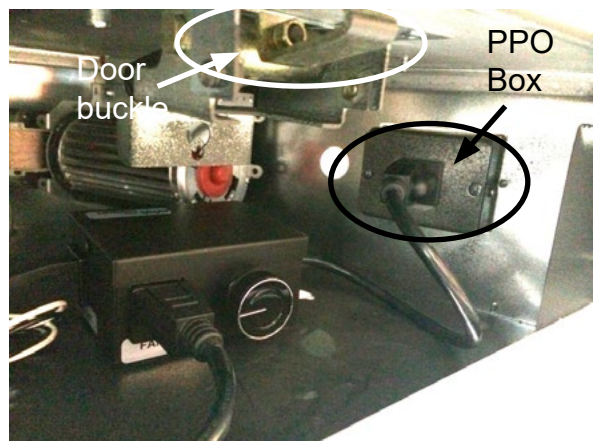


Figure 7 Plug in power cord to PPO

Installation



6. Plug in the Fan Harness Power cord to DRB001 "FAN PLUG"

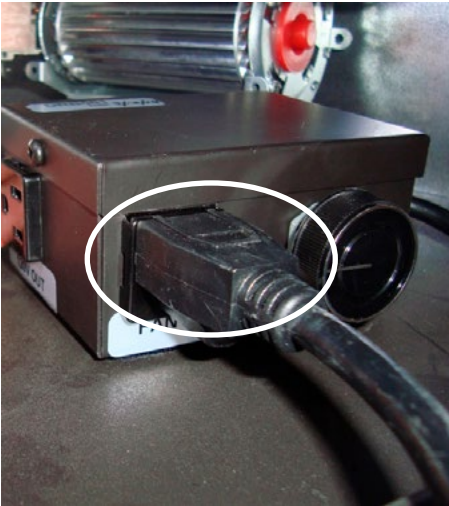


Figure 8

7. Plug the 2-pin molex connectors on the other end of the harness to the connectors from both fans. **Note:** the left or right fan can be plugged into either plug.

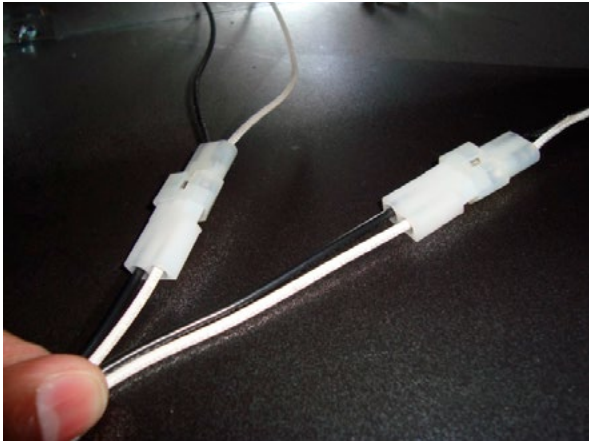


Figure 9

8. Using the supplied cable ties and self-adhesive cable tie mounts, secure the fan harness to the bottom of the firebox. Make sure to keep the wires away from fan blades and door buckles.



Figure 10

9. Plug in the power cord from the fireplace to the Dual Receptacle box "120 Volt Out" Plug (labeled). See "Figure 12 Fireplace power cord Proflame 2 System" on page 3.

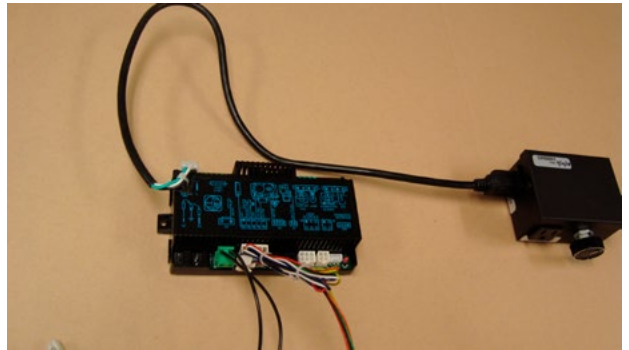


Figure 11 Fireplace power cord Proflame 2 System

NOTICE

Some fans might come with the black & white wires in reverse position. These are AC fans and are not affected by the polarity.



Installation

- Secure the Fireplace powercord to the fireplace floor using cable ties, away from the door buckle and other moving parts.

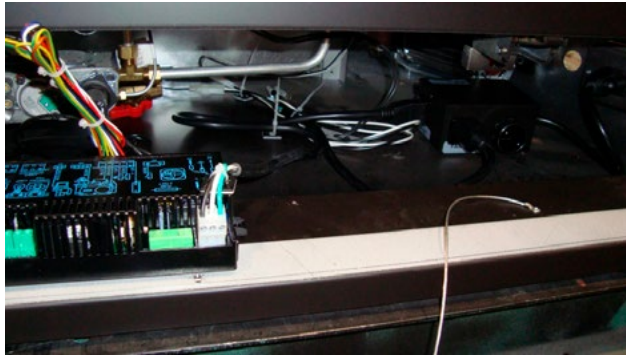


Figure 12

- Reinstall the burner tray. See Figure 2 or Figure 3 for examples
- Slide in the Heat Sensor to the existing bracket attached to the bottom of the burner tray. If fireplace bracket is not available, use the bracket supplied with the heat sensor switch and use self-tapping screws to mount them to firebox bottom.



Figure 13

- Complete the installation as per the fireplace installation manual and start-up the fireplace. Turn the fans on using the DRB001 control box.

Note: It may take up to 15-20 minutes for the fans to turn on, as your fireplace will need to reach a temperature of 130 F (at the heat sensor) before the fans will start.

- Use the speed control knob to adjust the fan speed to the desired setting.

The fans only operate when the unit is running. You may turn the fans off completely using the DRB001 control box.

The fans only operate when the unit is running. You may turn the fans off completely using the DRB001 knob.

Wiring for the optional Fan Kit

The following fireplaces may be equipped with optional fan kits: **H*42DF***, **H*34DF***, **H*38DF***, **L*42DF***, **L*38DF***, **L*52DF***.

Installations in Canada which employ the fans must be electrically grounded in accordance with CSAC22.1 Canadian Electrical Code Part 1 and/or Local Codes.

Installations in the USA which employ the fans must be grounded in accordance with local codes or, in the absence of local codes, with the National Electrical Code, ANSI/NFPA 70.

NOTE: If any of the original wire supplied with the appliance is replaced, it must be replaced with the same type, or its equivalent.

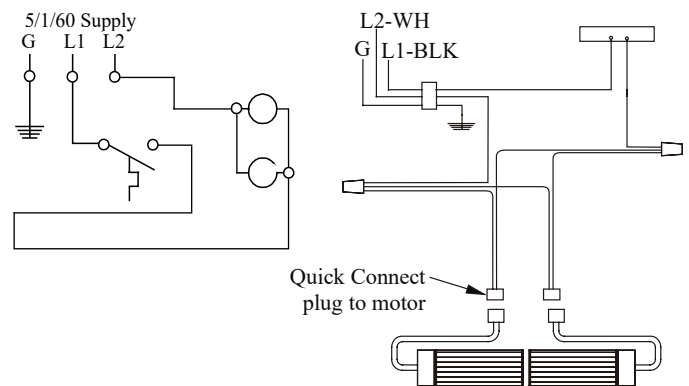


Figure 14. Wiring diagram for optional fans.