

Features

Easily convert from contemporary to traditional looks while using the same burner

Meets requirements for efficiency rebates

Field propane convertible

Convertible to 4/7

Convertible to co-linear

Mobile home compatible



DELRAY / FROM MINIMALIST TO INDULGENCE

DELRAY

SQUARE

CONTEMPORARY & TRADITIONAL

DELRAY FULL LOAD SQUARE

DELRAY BASIC SQUARE

DRSQ34
DRSQ34-2
DRSQ38
DRSQ38-2

SINGLE SIDED
DIRECT VENT

Standard

- Concealed universal burner
- Multi-function remote
- Remote Hi-Lo flame control
- Remote controlled fans
- Micro mesh safety screen
- Battery backup
- Halogen downlighting

Options

- Heat management
- Adjustable trim kits
- Traditional logsets
- Contemporary scenes
- Traditional and contemporary liners
- Propane conversion kit
- Speckled stones, glass media
- WiFi phone app control

Standard

- Concealed universal burner
- Manual Hi-Lo flame control

Options

- Heat management
- Adjustable trim kits
- Remote control
- Fans
- Micro mesh safety screen
- Traditional and contemporary liners
- Propane conversion kit
- Battery backup
- Traditional logsets
- Contemporary scenes
- Speckled stones, glass media



QUICK DIMENSIONS

	DRSQ34		DRSQ38	
	UNIT	FRAM.	UNIT	FRAM.
F.WIDTH	34	36	38	40
B.WIDTH	15 ³ / ₈	36	20 ³ / ₈	40
HEIGHT	33 ¹ / ₂	40 ¹ / ₂	38	44 ⁷ / ₁₆
DEPTH	16 ¹ / ₂	18	16 ¹ / ₂	18
VIEWING	29 ¹¹ / ₁₆ X 18 ⁷ / ₈		33 ¹¹ / ₁₆ X 22 ⁷ / ₈	

BTU LISTING

DRSQ34NI / 15,000
DRSQ34NI-2 / 18,000
DRSQ34LI / 14,000
DRSQ34LI-2 / 16,500

DRSQ38NI / 20,500
DRSQ38NI-2 / 24,000
DRSQ38LI / 16,500
DRSQ38LI-2 / 19,500

EFFICIENCY P.4. 1-15

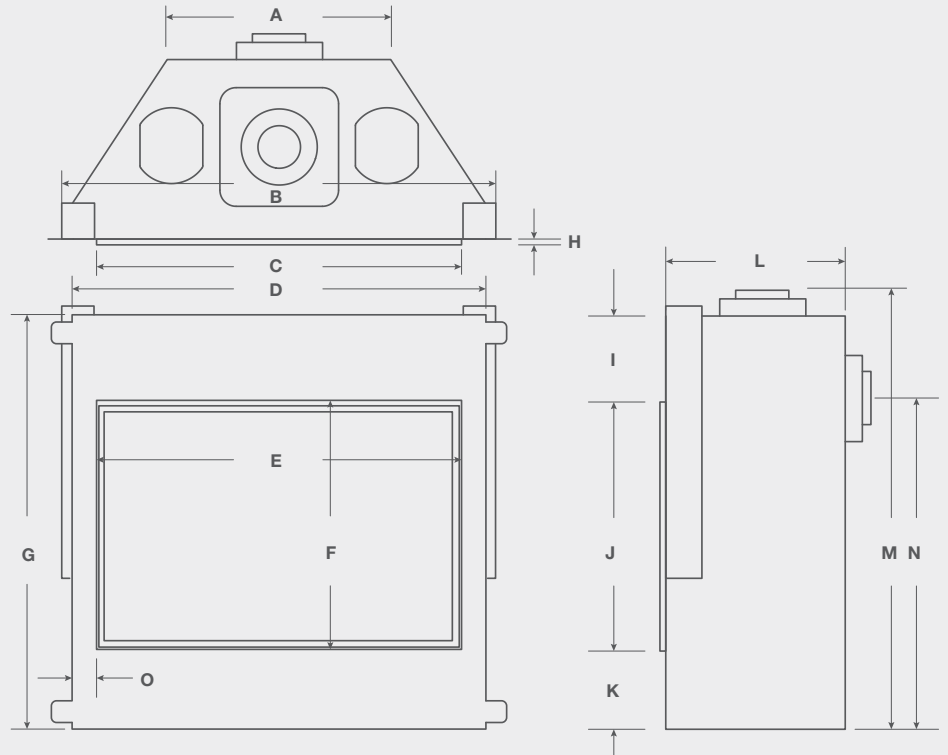
DRSQ34NI / 67.1%
DRSQ34NI-2 / 65.7%
DRSQ34LI / 65.4%
DRSQ34LI-2 / 65.7%

DRSQ38NI / 63.4%
DRSQ38NI-2 / 65%
DRSQ38LI / 61.8%
DRSQ38LI-2 / 61.5%

^A Standard on DRSQ3*NI-2
[†] Optional on DRSQ3*NI-2 only
[‡] Full load units only



DELRAY SQUARE DIMENSIONS



	A	B	C	D	E	F	G	H	I	J	K	L	M	N	O
DRSQ34	16 $\frac{5}{8}$	35 $\frac{15}{16}$	29 $\frac{3}{4}$	34	29 $\frac{11}{16}$	18 $\frac{7}{8}$	32 $\frac{1}{2}$	$\frac{1}{2}$	8 $\frac{3}{4}$	18 $\frac{15}{16}$	5 $\frac{3}{4}$	16 $\frac{1}{2}$	34 $\frac{1}{2}$	25 $\frac{1}{16}$	2 $\frac{1}{8}$
DRSQ38	20 $\frac{3}{4}$	39 $\frac{15}{16}$	33 $\frac{3}{4}$	38	33 $\frac{11}{16}$	22 $\frac{7}{8}$	38	$\frac{1}{2}$	8 $\frac{3}{4}$	22 $\frac{15}{16}$	7 $\frac{1}{4}$	16 $\frac{1}{2}$	40 $\frac{5}{16}$	30 $\frac{1}{2}$	2 $\frac{1}{8}$



DELRAY / SQUARE / DRSQ34NI-2 / SPLIT OAK LOGSET



DELRAY / SQUARE / DRSQ38NI-2 / WINTER SCENE

OPTIONS & FEATURES



REMOTE⁺
RX200**



WALL REMOTE⁺
EC1550



WIFI PHONE APP
CONTROL⁺
SIT-WIFI



DOWNLIGHTING⁺



TRADITIONAL
LOGSETS
LGS**3*



CONTEMPORARY
SCENES
CS*3*



TRIM KIT
DRSQT**.*

LINERS



GREY
HERRINGBONE
DRSQBK3*GH



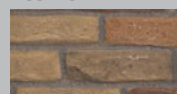
GREY
LEDGESTONE
DRSQBK3*GL



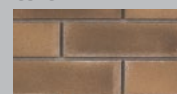
ASH FLUTED
DRSQBK3*AF



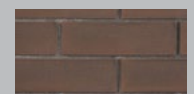
BLACK GLASS
RBGDRSQ3*



VINTAGE BRICK
DRSQBK3*VB



TAN BRICK
DRSQBK3*TB



RED BRICK
DRSQBK3*RB

DELRAY FINISHING

TRADITIONAL FINISHING • COOL WALL RELEASE / COOL WALL ADVANTAGE

The finishing options for the DelRay Square are as diverse as the unit itself. Create a surface safe for combustibles with the Cool Wall Release or Cool Wall Advantage kit, or keep it simple with traditional finishing. It's all up to you.

Traditional Finishing

DRSQ38 NON-VENTED CHASE SURFACE TEMPERATURES

Requires included cement board
and stud heat deflector.

140°F
16" ABOVE
OPENING

150°F
12" ABOVE
OPENING

180°F
8" ABOVE
OPENING

190°F
4" ABOVE
OPENING

Standard
Drywall

Included
Cement Board



Trim Kits

For uneven and ledgerstone finishing, we developed a slim finishing kit that fits directly to the fireplace frame to conceal the finished edge.

These kits are adjustable and cover finishing depths up to 2"

CHASE VENTING VALANCE

Prevent heat from being trapped within the chase by leaving the top open to allow heat to ventilate back into the room.

Cool Wall Release

DRSQ38 VENTED CHASE SURFACE TEMPERATURES

DRSQ34
Minimum 70° inch opening

DRSQ38
Minimum 100° inch opening

DRSQ42
Minimum 120° inch opening

DRSQ46
Minimum 140° inch opening

Temperatures shown are based on a DRSQ38NI-2 with vented chase

Minimum 6' chase
(When venting ports open or using Cool Wall Advantage kit)
Minimum 7' chase for DRSQ46

Included cement board and stud heat deflector not required when using the Cool Wall Release or Cool Wall Advantage System.



VENTING PORTS

Opening the venting ports diverts heat through the chase, resulting in lower wall surface temperatures

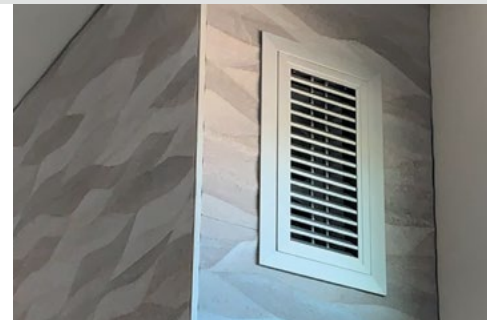
- 90°F
16" ABOVE OPENING
- 100°F
12" ABOVE OPENING
- 115°F
8" ABOVE OPENING
- 130°F
4" ABOVE OPENING

Combustible Finish

COOL WALL ADVANTAGE / SIDE DISCHARGE KIT

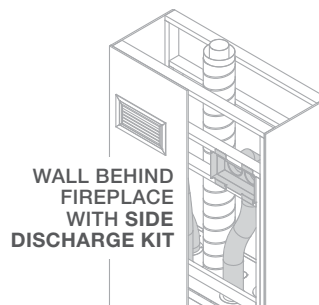
Cool Wall Advantage

Cool Wall Advantage kits convection pulls the heat through the attached vents and distributes it where it belongs - in the room.

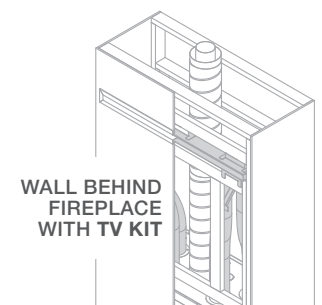


HEAT DIVERSION INTO AN ADJACENT ROOM

Leverage the heat from your fireplace to warm a room that shares a wall with the unit.



WALL BEHIND FIREPLACE WITH SIDE DISCHARGE KIT



WALL BEHIND FIREPLACE WITH TV KIT



Unit Specifications

ICON LEGEND

AVAILABLE	+	NOT AVAILABLE	-
DEDICATED	◊	STANDARD	◦

	BTU NATURAL GAS	BTU LIQUID PROPANE	VENTING	CLEARANCE TOP - TOP VENT	CLEARANCE REAR - TOP VENT	CLEARANCE SIDES	CLEARANCE BACK	CLEARANCE FLOOR	CLEARANCE MANTEL	FRONT VIEWING AREA	FRONT GLASS TYPE	STANDARD MEDIA	MICRO MESH SAFETY SCREEN	POWERVENT	REMOTE CONTROL	FANS	UPLIGHTING	DOWNLIGHTING
DRSQ34*1-2	18,000	16,000	4"/7"	21	17	0	1½	0	9	29 ¹¹ / ₁₆ X 18 ⁷ / ₈	HIGH TEMPERATURE	N/A	◦	+	◦	◦	-	◦
DRSQ34*1	15,500	14,000	4"/7"	21	17	0	1½	0	9	29 ¹¹ / ₁₆ X 18 ⁷ / ₈	HIGH TEMPERATURE	N/A	+	+	+	+	-	-
DRSQ38*1-2	24,000	19,500	5"/8" ^Δ	21	17	0	1½	0	6	33 ¹¹ / ₁₆ X 22 ⁷ / ₈	HIGH TEMPERATURE	N/A	◦	+	◦	◦	-	◦
DRSQ38*1	20,500	16,500	5"/8" ^Δ	21	17	0	1½	0	6	33 ¹¹ / ₁₆ X 22 ⁷ / ₈	HIGH TEMPERATURE	N/A	+	+	+	+	-	-
DRSQ42*1-2	32,500	27,000	5"/8"	28	28	½	1½	0	10	37 ¹¹ / ₁₆ X 26 ⁷ / ₈	HIGH TEMPERATURE	N/A	◦	+	◦	◦	-	◦
DRSQ42*1	32,500	27,000	5"/8"	28	28	½	1½	0	10	37 ¹¹ / ₁₆ X 26 ⁷ / ₈	HIGH TEMPERATURE	N/A	+	+	+	+	-	-
DRSQ46*1-2	40,000	34,000	5"/8"	35	35	½	1	0	10	41 ¹¹ / ₁₆ X 30 ⁷ / ₈	HIGH TEMPERATURE	N/A	◦	+	◦	◦	-	◦
DRSQ46*1	40,000	34,000	5"/8"	35	35	½	1	0	10	41 ¹¹ / ₁₆ X 30 ⁷ / ₈	HIGH TEMPERATURE	N/A	+	+	+	+	-	-

ΔCan be reduced to 4"7"

DELRAY SQUARE FRAMING (MINIMUM DIMENSIONS)

	A*	B	C	D	E	F	G
DRSQ34	49	40½	18	36	52 ² / ₁₆	37 ¹ / ₁₆	1
DRSQ38	62 ¹ / ₈	44 ⁷ / ₁₆	18	40 ³ / ₁₆	59¼	41 ⁷ / ₈	2
DRSQ42	72	51	21	45	62 ¹ / ₁₆	44 ¹ / ₈	1
DRSQ46	84	55	22	49	67 ³ / ₈	47 ⁵ / ₈	1

* Some venting configurations that require more vertical rise will require a larger enclosure to provide minimum vertical clearance between vent pipes and combustibles

Header must be on edge to meet clearance to venting

