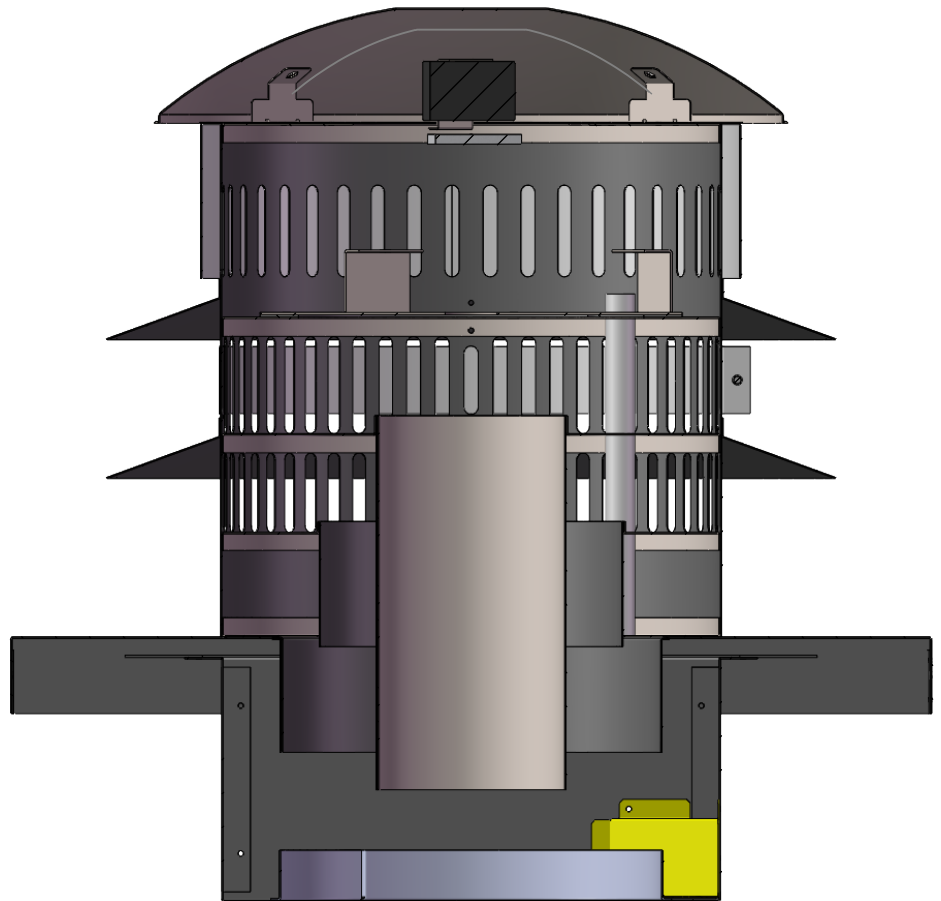
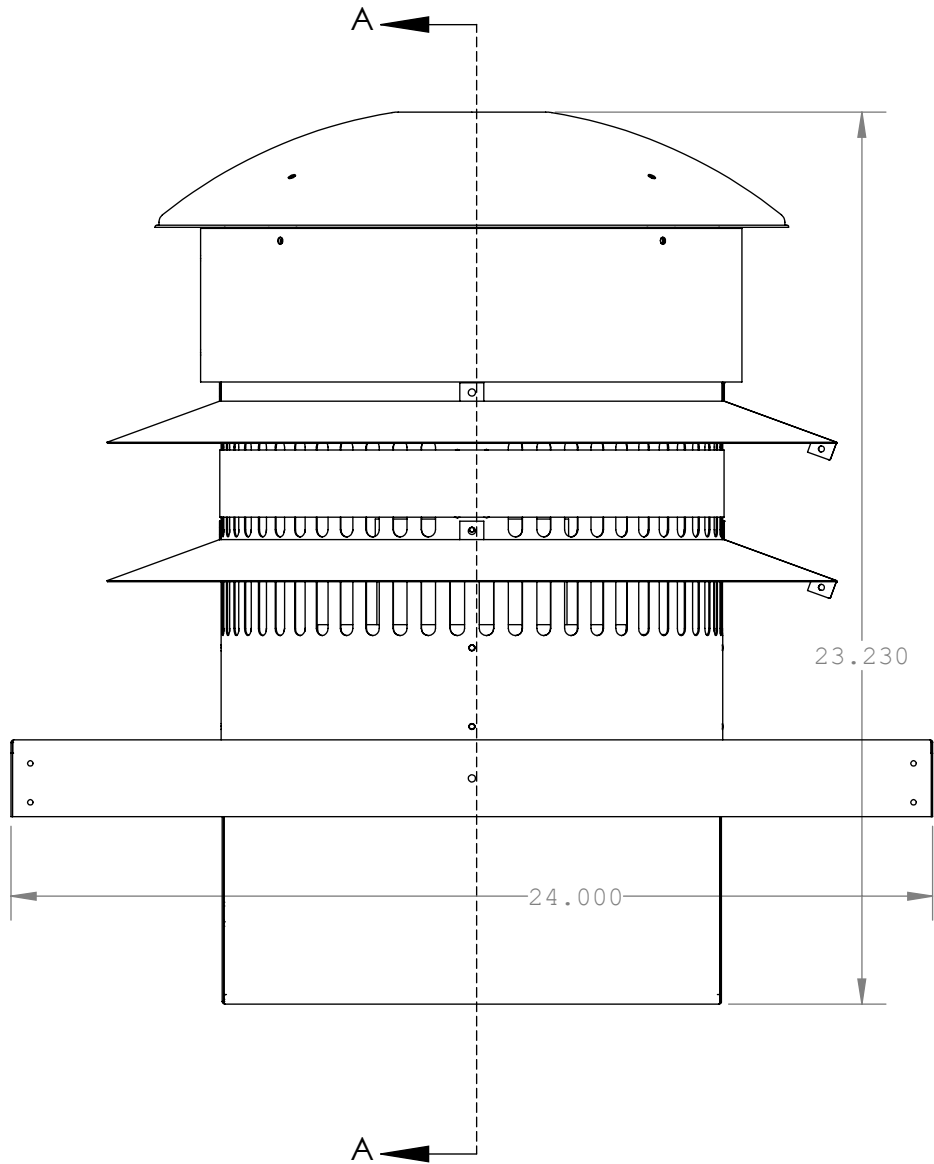


PROPRIETARY AND CONFIDENTIAL




SECTION A-A

REVISIONS			
REV.	DESCRIPTION	DATE	CHANGED BY

DIMENSIONS ARE IN INCHES
 TOLERANCES:
 FRACTIONAL ± 1/32"
 TWO PLACE DECIMAL ± .015"
 THREE PLACE DECIMAL ± .005"
 ALL BENDS ARE ASSUMED
 TO BE 90° UNLESS NOTED
 OTHERWISE.

	NAME	DATE
Drawn by	PC	04/25/2014
Revision / Date	A	
Revision		
Finish		



Description		Exploded View	
DWG. NO.		PVVEX510-300	
MATERIAL			
SCALE 1:5	WEIGHT:	SHEET 2 OF 2	