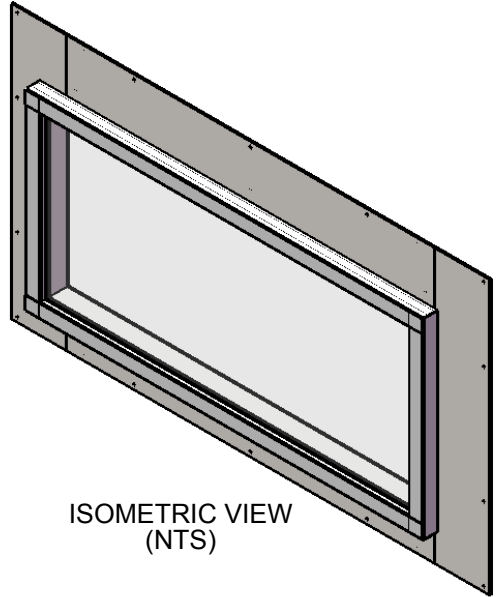
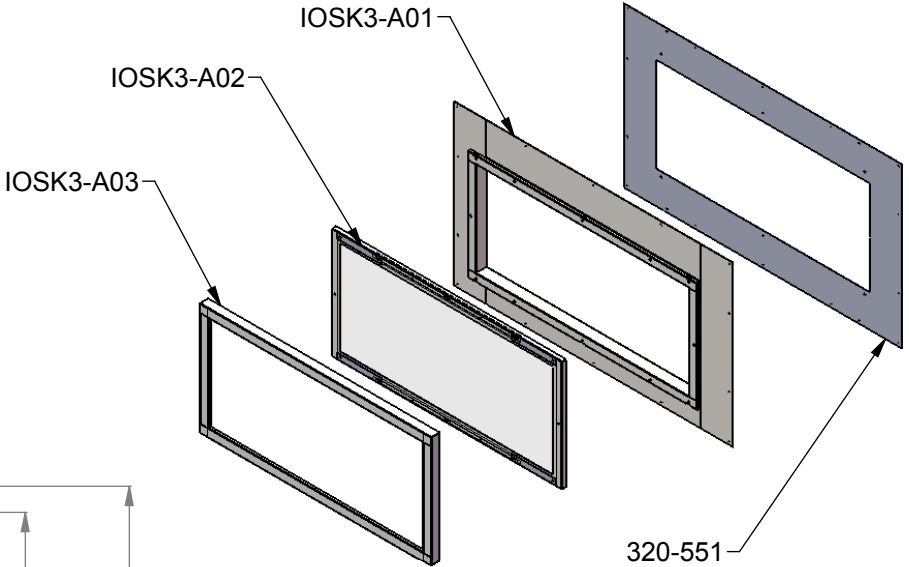
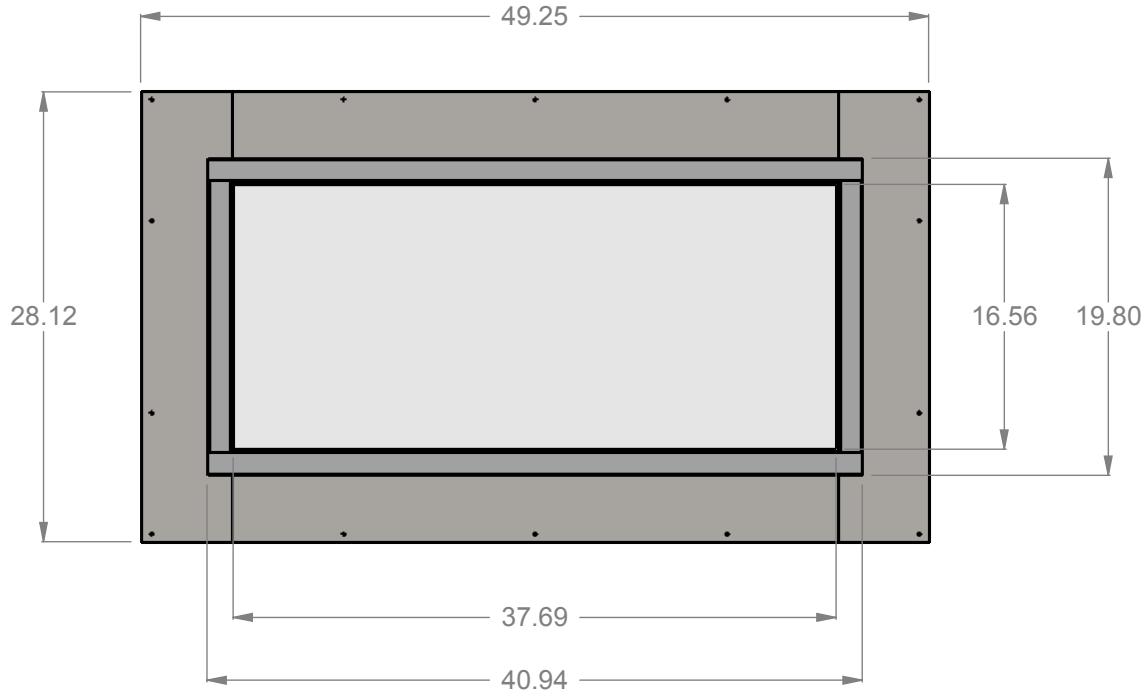
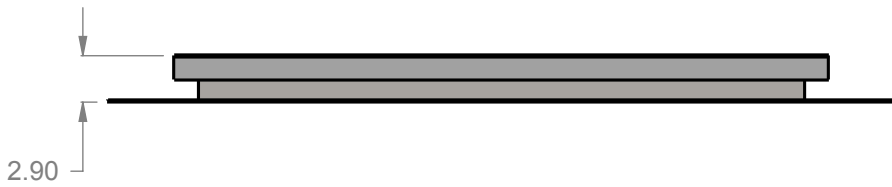


ITEM NO.	PART NUMBER	DESCRIPTION	QTY.	REV.
1	320-551	BACK PLATE	1	A
2	IOSK3-A01	OUTER FRAME, IOSK3	1	A
3	IOSK3-A02	DOOR ASSEMBLY, IOSK3	1	A
4	IOSK3-A03	DOOR TRIM ASSEMBLY, IOSK3	1	A



ISOMETRIC VIEW  
(NTS)



PROPRIETARY AND CONFIDENTIAL

DIMENSIONS ARE IN INCHES  
TOLERANCES:  
FRACTIONAL ± 1/32"  
TWO PLACE DECIMAL ± .015"  
THREE PLACE DECIMAL ± .005"  
ALL BENDS ARE ASSUMED  
TO BE 90° UNLESS NOTED  
OTHERWISE.

	NAME	DATE
DRAWN BY	SL	8/21/2012
CHECKED BY		
MATERIAL		
FINISH		

INDOOR OUTDOOR SEALING KIT FOR R320  
**R320IOK**

SIZE <b>A</b>	DWG. NO. IOSK3	REV. <b>A</b>
SCALE NTS	WEIGHT:	SHEET 1 OF 1