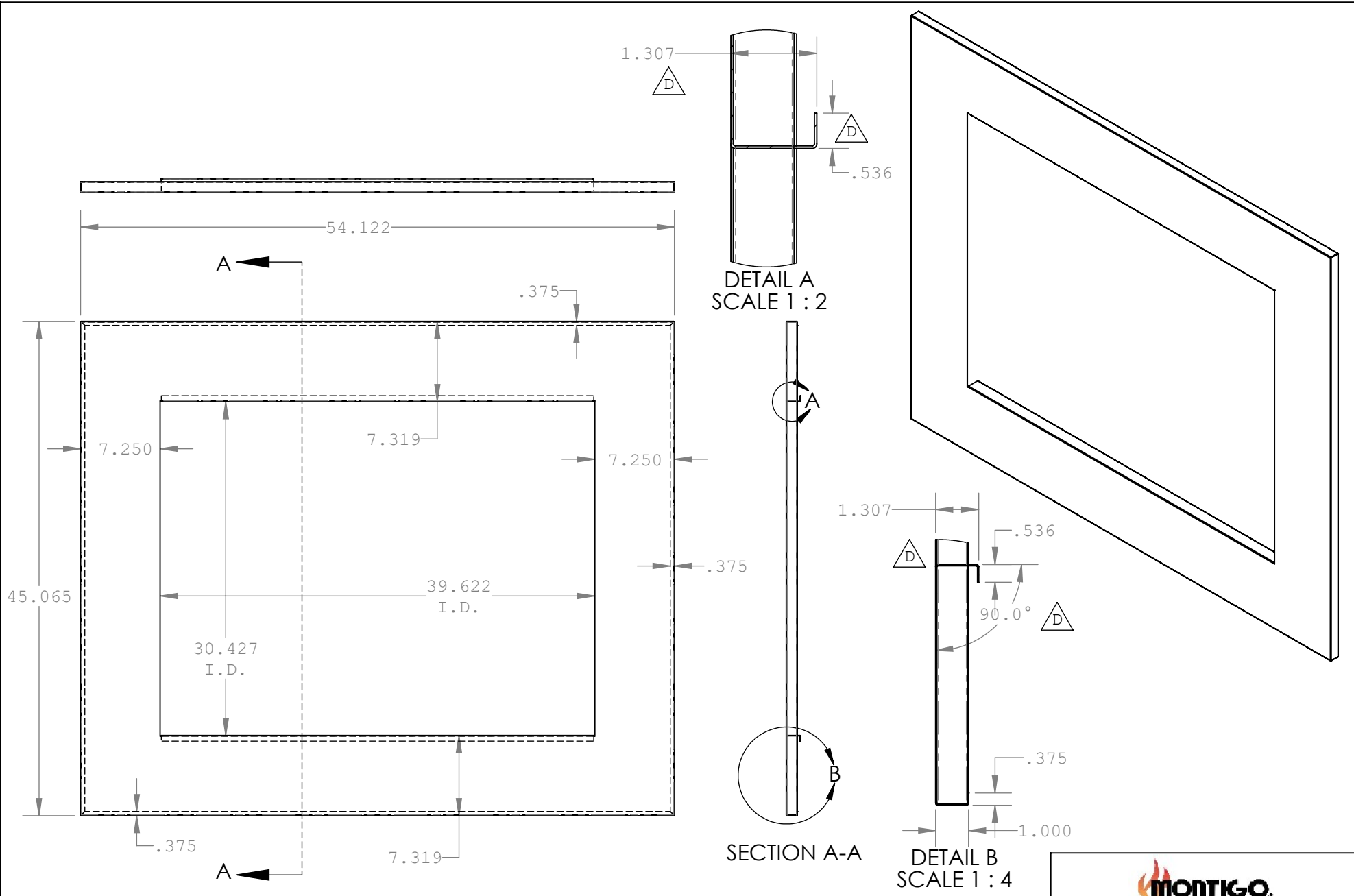


DIMENSIONS ARE IN INCHES
 TOLERANCES:
 FRACTIONAL ± 1/32"
 TWO PLACE DECIMAL ± .015"
 THREE PLACE DECIMAL ± .005"
 ALL BENDS ARE ASSUMED
 TO BE 90° UNLESS NOTED
 OTHERWISE.

	NAME	DATE
Drawn by	PC	12/15/2014
Revision / Date	D	
Revision		
Finish		

Description	H42 SURROUND FACEPLATE
DWG. NO.	HS42006-20
MATERIAL	20Ga Satin
SCALE 1:10	WEIGHT:
SHEET 1 OF 2	



PROPRIETARY AND CONFIDENTIAL

Y:\CAD\IH-UNITS\H42\HS42006-20

REVISIONS			
REV.	DESCRIPTION	DATE	CHANGED BY
C	RE-DESIGNED.	12/15/2014	PC
D	TWO FLANGES ADDED AND TWO FLANGES DISTANCES INCREASED SLIGHTLY	02/24/2015	PC

DIMENSIONS ARE IN INCHES
 TOLERANCES:
 FRACTIONAL ± 1/32"
 TWO PLACE DECIMAL ± .015"
 THREE PLACE DECIMAL ± .005"
 ALL BENDS ARE ASSUMED TO BE 90° UNLESS NOTED OTHERWISE.

	NAME	DATE
Drawn by	PC	12/15/2014
Revision / Date	D	
Revision		
Finish		

Description	H42 SURROUND FACEPLATE
DWG. NO.	HS42006-20
MATERIAL	20Ga Satin
SCALE 1:12	WEIGHT:
SHEET 2 OF 2	