

ENCLOSURE, H38 OUTDOOR, SEE THRU

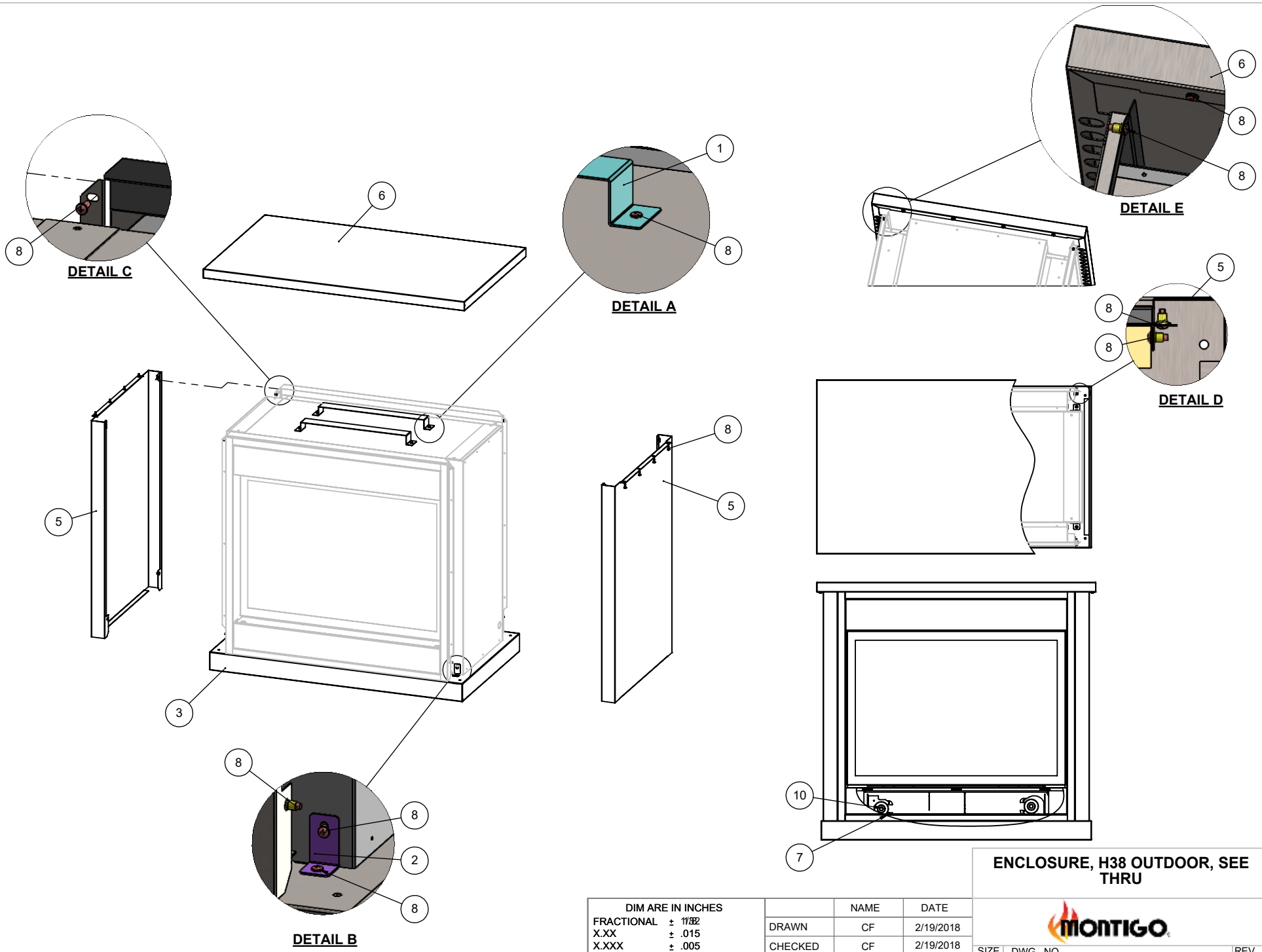


DIM ARE IN INCHES
 FRACTIONAL ± 1/8
 X.XX ± .015
 X.XXX ± .005
 ANGULAR: ± 1°
 UNLESS OTHERWISE SPECIFIED
 ALL BENDS ARE 90°

	NAME	DATE
DRAWN	CF	2/19/2018
CHECKED	CF	2/19/2018

THIRD ANGLE PROJECTION

SIZE A	DWG. NO.	REV. A
SCALE: 1:20	SHEET: 1 OF 3	H38VOBE



ENCLOSURE, H38 OUTDOOR, SEE THRU



DIM ARE IN INCHES	
FRACTIONAL	± 1/32
X.XX	± .015
X.XXX	± .005
ANGULAR:	± 1°
UNLESS OTHERWISE SPECIFIED ALL BENDS ARE 90°	

	NAME	DATE
DRAWN	CF	2/19/2018
CHECKED	CF	2/19/2018
THIRD ANGLE PROJECTION		

SIZE	DWG. NO.	REV.
A	H38VOBE	A
SCALE:	1:20	SHEET: 2 OF 3

ITEM NO.	PART NUMBER	DESCRIPTION	QTY.
1	O38ST060	BRACKET TOP SUPPORT, H38	2
2	O38ST059	BRACKET, H38 ENCL.	4
3	O38ST058	BASE, H38ST, ENCLOSURE	1
4	O38ST054	Fan Bracket	2
5	O38ST017	SIDE SKINS H38	2
6	O38ST016	TOP COVER	1
7	HW2212	VELCRO, 1"x2.75" MATED HOOK/LOOP	2
8	HW2105	SCREW, PAN, #10-24 X 1/2", PHIL, SS	28
9	HW1161	#10 Nutsert	20
10	EC1472	(model not accurate)	2


PROPRIETARY AND CONFIDENTIAL

ENCLOSURE, H38 OUTDOOR, SEE THRU

DIM ARE IN INCHES
 FRACTIONAL ± 1/32
 X.XX ± .015
 X.XXX ± .005
 ANGULAR: ± 1°
 UNLESS OTHERWISE SPECIFIED
 ALL BENDS ARE 90°

	NAME	DATE
DRAWN	CF	2/19/2018
CHECKED	CF	2/19/2018

THIRD ANGLE PROJECTION



SIZE	DWG. NO.	REV.
A		H38VOBE A
SCALE:	1:20	SHEET: 3 OF 3

