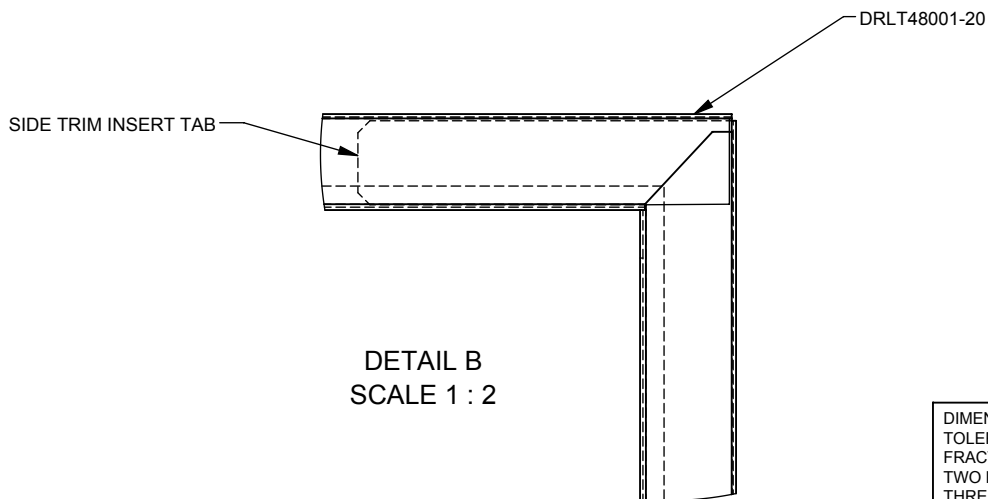
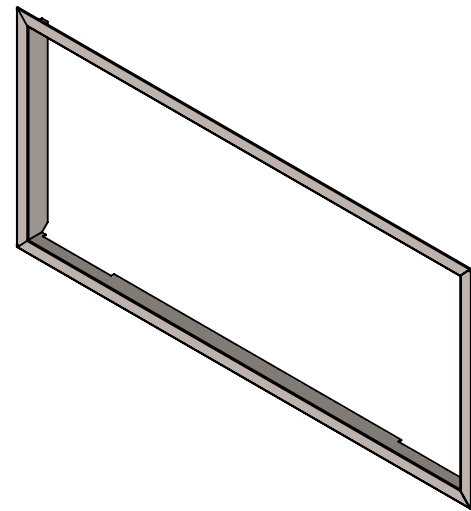
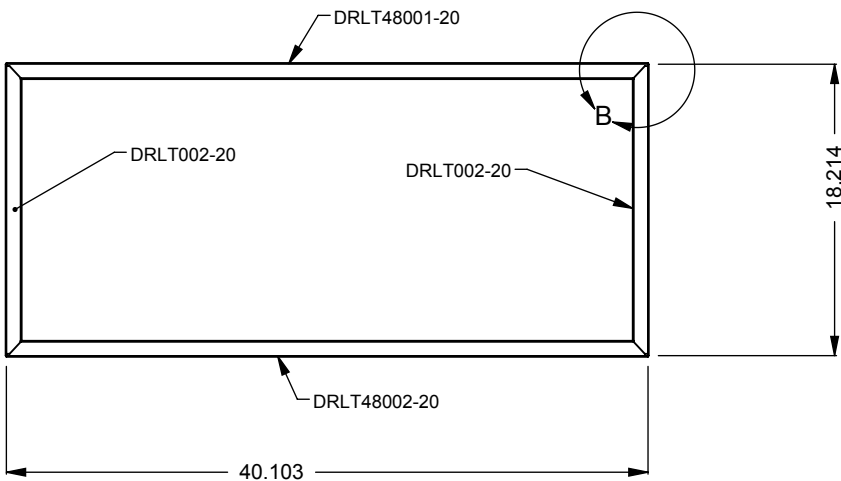
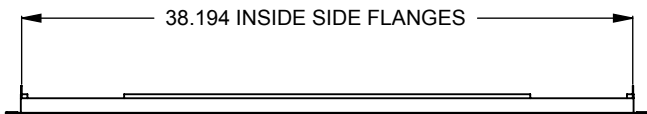


ITEM NO.	PART NUMBER	DESCRIPTION	QTY.	REVISION	MATERIAL
1	DRLT48001-20	TOP TRIM	1	B	SATIN/22
2	DRLT48002-20	BOTTOM TRIM	1	A	SATIN/22
3	DRLT002-20	SIDE TRIM	2	B	SATIN/22



DRL48 TRIM KIT 0" - 11/16"

NAME	DATE	SIZE	DWG. NO.	REV.
DRAWN BY: DB	2/6/2020	A	DRL48 0-.6875 TRIM FRAME ASSY	A
CHECKED BY:		SCALE 1:12	WEIGHT:	SHEET 1 OF 2

DIMENSIONS ARE IN INCHES
 TOLERANCES:
 FRACTIONAL ± 1/32"
 TWO PLACE DECIMAL ± .015"
 THREE PLACE DECIMAL ± .005"
 ALL BENDS ARE ASSUMED TO BE 90° UNLESS NOTED OTHERWISE.

MATERIAL	MTK
K-FACTOR	