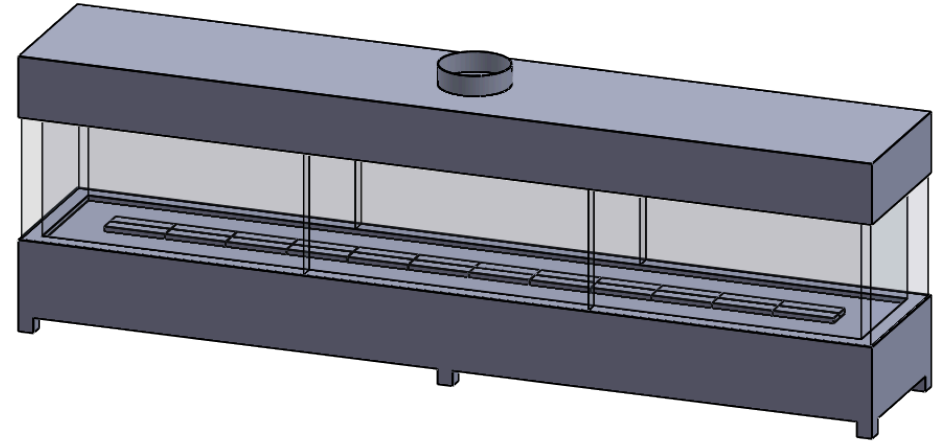


## TECHNICAL SPECIFICATION

This Montigo commercial fireplace and its associated components are part of a custom engineered system.

This system is available with COOL-Pack or Power COOL-Pack cool-touch glass technology, which is ideal for public use applications and residential common or entertaining areas. All systems are power vented with multiple options available and are tested and certified to current ANSI Standards with CSA International US and Canada.

All Montigo commercial fireplace systems are highly customizable. Please contact Montigo to confirm if your installation requirements are within the parameters of these standard specifications.



### GLASS GLASS DIMENSIONS CAN BE CUSTOMIZED

Glass Width: 168"

Glass Height: 24"

Glass Type: 5 mm or 6 mm thick tempered glass (standard)

8 mm tempered glass available (optional)

Laminated safety glass standard on units > 96" tall

No Glass: Open units are available

### GLASS TEMPERATURE

COOL-Pack < 172°F†

Power COOL-Pack Up to a 60°F reduction†

### TYPICAL INTAKE

Intake Size: 2 x 12" / 226 sq.in. min.

Intake Location: Bottom, top

Intake Damper: Optional, tied into control system

### TYPICAL EXHAUST

Power Vent: Montigo roof mount, wall mount, flush wall mount, or inline power vent, sized to specific system

Flue Size: 14" / 154 sq.in. min. type B vent, any manufacturer UL/ULC certified, may need to be upsized to specific system

Flue Damper: Optional flue damper, built into power vent or inline tied into control system

### GAS

Rating Input: Max 245,000 BTU/hr

Minimum Inlet Pressure: 5.5" w.c. Natural Gas / 11" w.c. Propane

Gas System: ½" NPT, Hot Surface Ignition, Smart Valve

Concealed Burner with 8" ribbon flame or 16" high-low flame

### CONSTRUCTION

Satin galvanized (black) or stainless steel

### ESTIMATED CONSUMPTION SETTING

COOL-Pack 1654 CFM

Power COOL-Pack 1903 CFM

### ELECTRICAL

Standalone custom control panel mounted within 150' of fireplace, 208-240 VAC w Neutral, AMP rating depends on actual spec

### BURNER MEDIA

Campfire logset, glass media, driftwood logset, ceramic stones

### OPTIONS

Uplighting, downlighting, lighting remote control

### TESTING STANDARDS

ANSI Z21.50/ CSA 2.22-2016, ANSI Z21.97/ CSA 2.41-2017

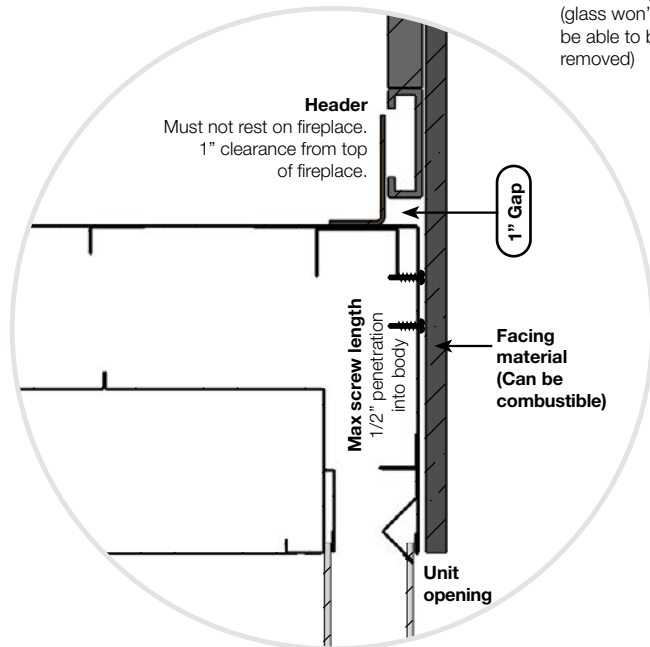
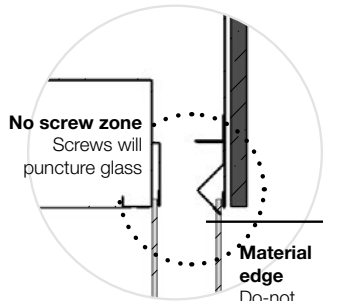
† Actual glass temperature will vary based on BTU, vent run configuration, fireplace size, utilized media and panels, ambient temperature and other factors

## C View 4 Sided, Round

This guide applies to the following configurations:  
4 Sided, Round

### COMBUSTIBLE FINISHING

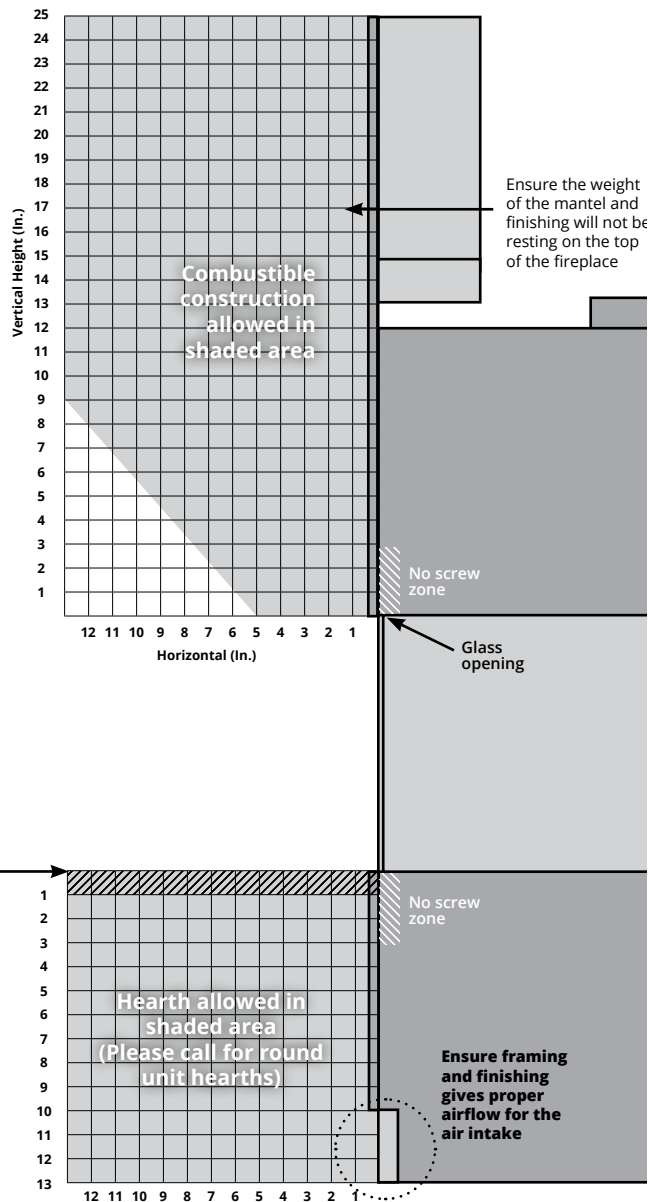
It is important that the facing material will NOT rest on the fireplace, this will cause bowing and issues removing the fireplace glass.



### SURFACE TEMPERATURES NOTE

Expect surface temperatures on body of fireplace to be approximately 120°-135°F on 4 Sided and Round units. Temperature will vary with size of unit, vent run, and ambient temperature.

# MONTIGO® Finishing a Commercial Fireplace Mantels & Hearth



## C View 4 Sided, Round

### MANTELS AND SURROUNDS

Combustible mantels may safely be installed over the fireplace provided that they do not project beyond the shaded area shown.

There are no restrictions on Non-combustible mantels providing they do not project beyond the facing material edge and interfere with glass removal, and the weight of the mantel is fully supported by the framing.

SEE NOTE ON ROUND UNITS

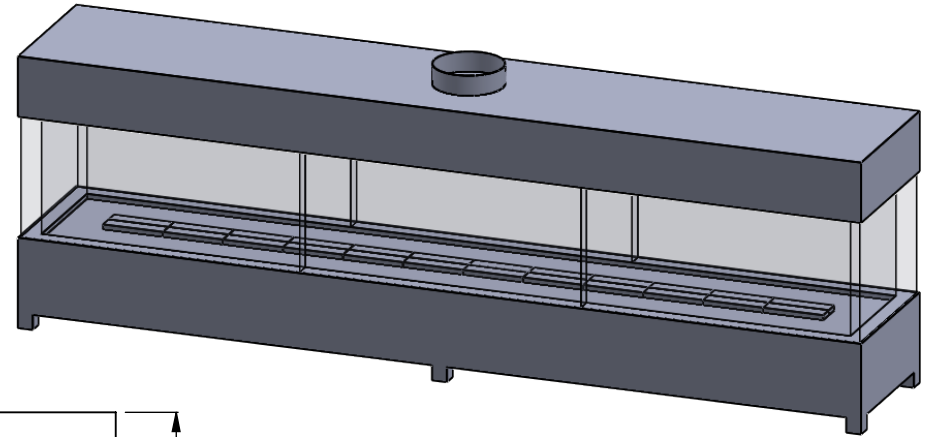
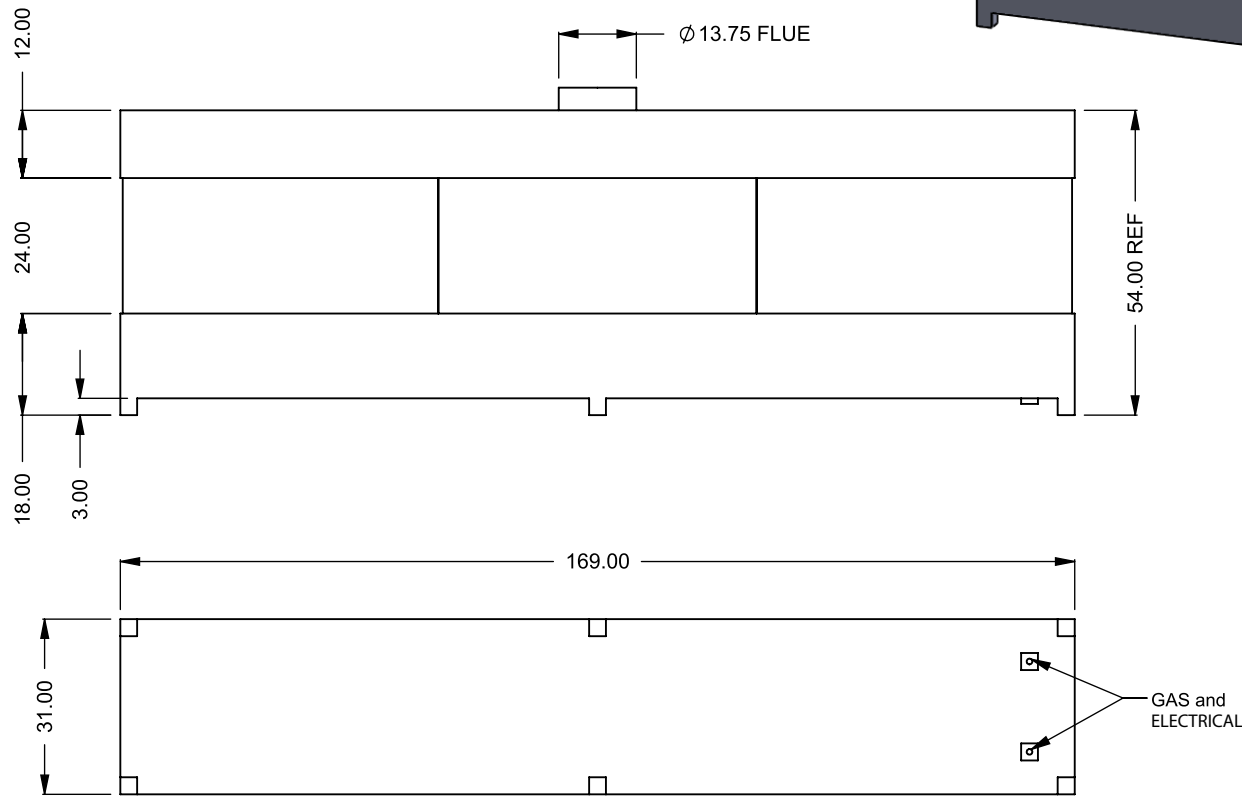
### A NOTE ON MANTELS & SURROUNDS

National Canadian Gas Association mantel test requirements are for fire hazard prevention to combustible materials.

New technology, to meet consumer and government demands for the wise use of energy, has prompted us to manufacture many models of fireplaces which are hot, fuel and energy efficient.

Please be aware; temperatures over the mantel will rise above normal room temperature and walls above the fireplace may be hot to touch.

We recommend careful consideration be given to the effects of elevated mantel temperatures which may be in excess of product design, for example: candles, plastic, or pictures. This elevated heat can cause melting, deformation, discoloration or premature failure of a TV and radio components.

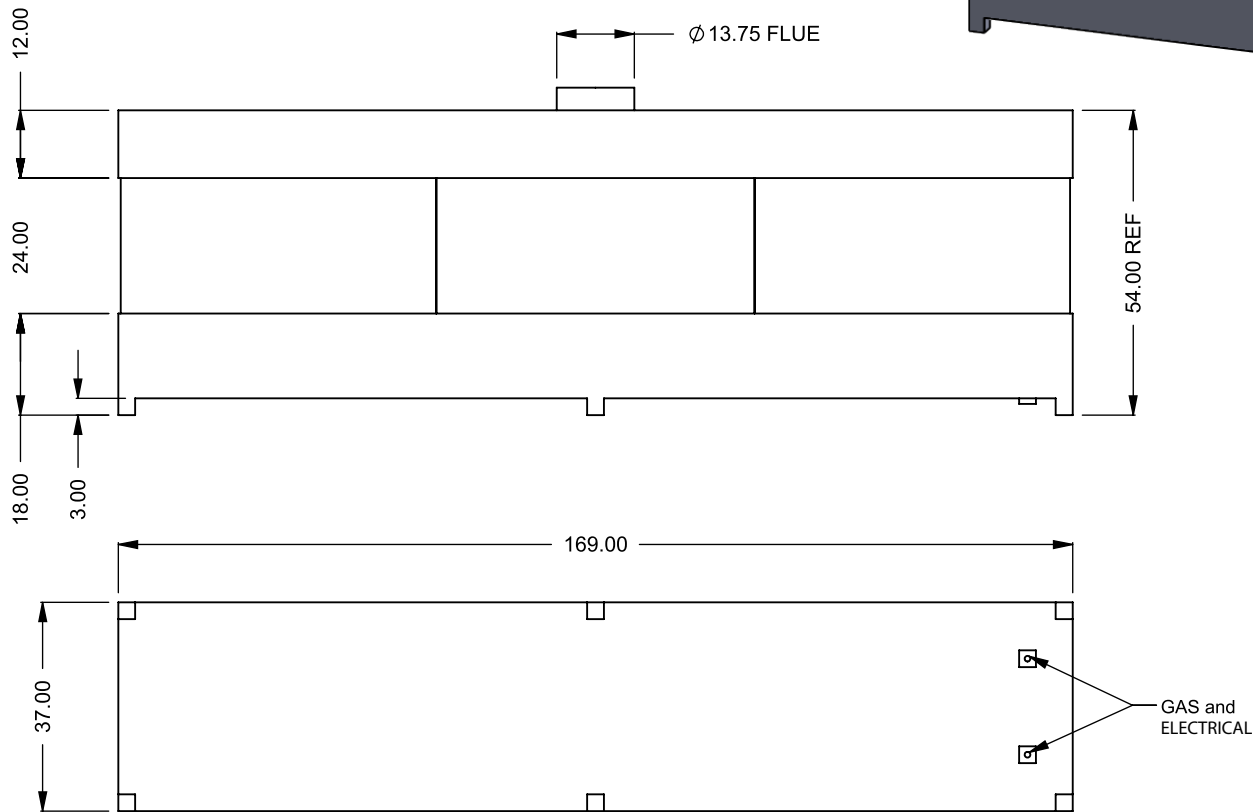
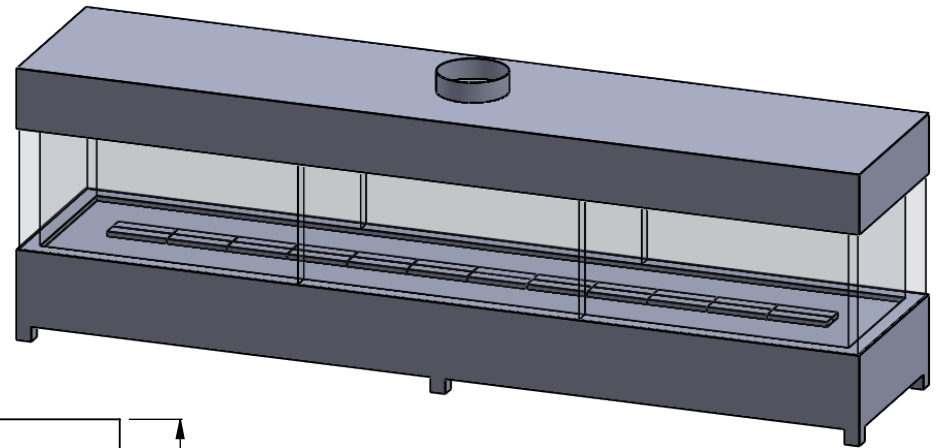


**C4W14 169x31**  
 Power COOL-Pack  
**Bottom Intake**

**PRELIMINARY  
 DRAWING ONLY** 

EXAMPLE CONFIGURATION	UNLESS OTHERWISE SPECIFIED	DATE
MONTIGO COMMERCIAL FIREPLACES ARE CUSTOM BUILT FOR EACH PROJECT. THIS DRAWING IS FOR REFERENCE ONLY.  FLUE AND AIR INTAKE SIZES ARE SUBJECT TO CHANGE DEPENDING ON VENT RUN.	DIMENSIONS ARE IN INCHES TOLERANCES: FRACTIONAL $\pm 1/8"$	15/10/2020

**MONTIGO**  
 the art of **fireplaces**  
 www.montigo.com



**C4W14 169x37**  
 Power COOL-Pack  
**Bottom Intake**

**PRELIMINARY  
 DRAWING ONLY** 

EXAMPLE CONFIGURATION	UNLESS OTHERWISE SPECIFIED	DATE
MONTIGO COMMERCIAL FIREPLACES ARE CUSTOM BUILT FOR EACH PROJECT. THIS DRAWING IS FOR REFERENCE ONLY.  FLUE AND AIR INTAKE SIZES ARE SUBJECT TO CHANGE DEPENDING ON VENT RUN.	DIMENSIONS ARE IN INCHES TOLERANCES: FRACTIONAL $\pm 1/8"$	15/10/2020

**MONTIGO**  
 the art of **fireplaces**  
 www.montigo.com