



PRODIGY

Single Sided
See through

QUICK DIMENSIONS

	PC3		PC4		PC5		PC6		PC7		PC8	
	UNIT	FRAM.	UNIT	FRAM.	UNIT	FRAM.	UNIT	FRAM.	UNIT	FRAM.	UNIT	FRAM.
F.WIDTH	40¼	42¼	52¼	54¼	64¼	66¼	76¼	78¼	88¼	90¼	100¼	102¼
HEIGHT [°]	23¼	26¾	23¼	26¾	23¼	26¾	23¼	26¾	23¼	26¾	23¼	26¾
DEPTH	19⅞	18⅞†	19⅞	18⅞†	19⅞	18⅞†	19⅞	18⅞†	19⅞	18⅞†	19⅞	18⅞†
VIEWING	36 × H		48 × H		60 × H		72 × H		84 × H		96 × H	

†Add 1 3/8 for Single Sided installs

Standard

COOL-Pack glass system

Multi-color LED lighting

Intake dampers

Any choice of firestones, firebeads or fireglass

Options

Speckled stones and driftwood logset

Indoor-Outdoor seal kit for see through units

Black reflective glass[‡]

Flue gas dampers

[‡] Standard in PC420 PC520 PC620 PC820

[°] Plus glass height

BTU LISTING

PC3**N* / 40,000

PC4**N* / 50,000

PC5**N* / 75,000

PC6**N* / 88,000

PC7**N* / 100,000

PC8**N* / 112,000

PC3**L* / 31,000

PC4**L* / 52,000

PC5**L* / 64,000

PC6**L* / 78,000

PC7**L* / 105,000

PC8**L* / 120,000



Features

All glass barriers, no screen required

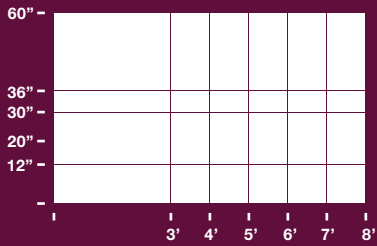
Zero clearance

Compatible with home automation systems

Commercial grade valve, burner and control system



AVAILABLE DIMENSIONS

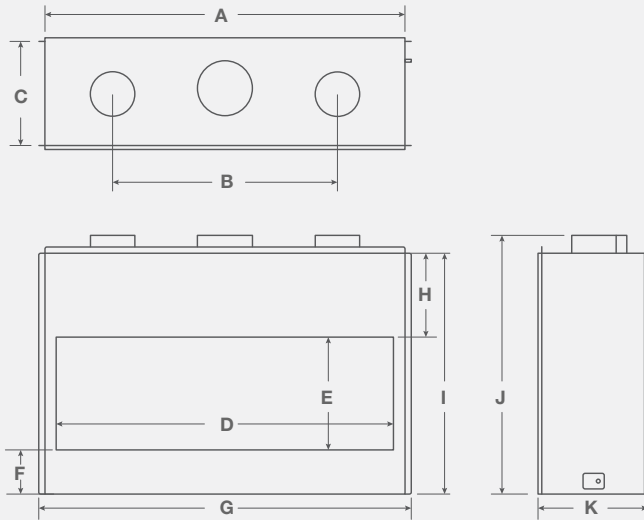


Indoor-Outdoor

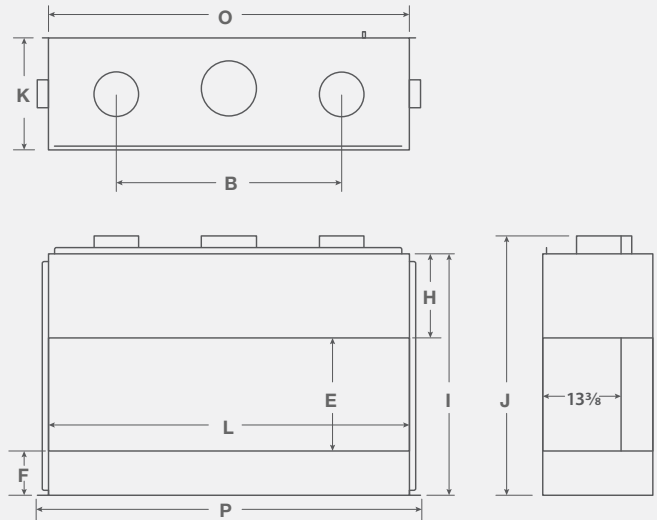
Bridge the ample beauty of the outdoors with the comfort of your indoor space. Any size see-through prodigy can be transformed into a fully sealed indoor-outdoor unit with the addition of the kit.

Unit Dimensions

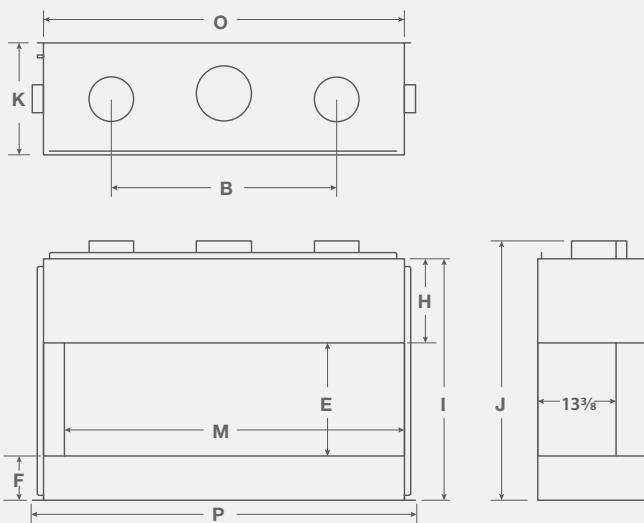
PRODIGY SINGLE SIDED DIMENSIONS



PRODIGY BAY DIMENSIONS



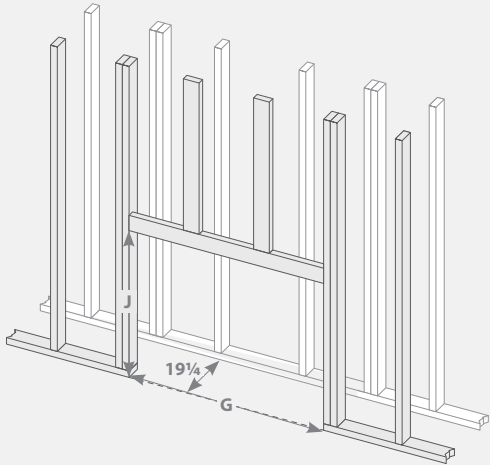
PRODIGY CORNER DIMENSIONS



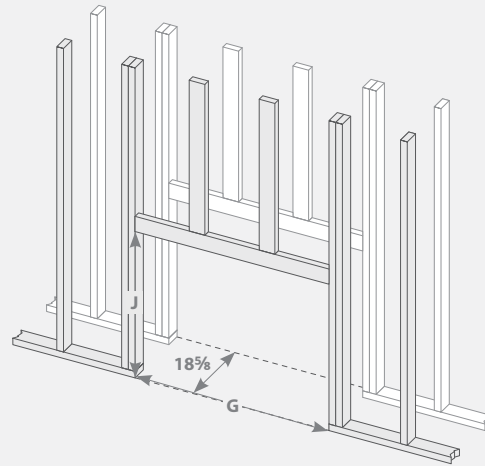
	3'	4'	5'	6'	7'	8'
AIR INTAKE	2X6	2X8	2X8	2X8	2X8	2X10
EXHAUST	8"	10"	10"	10"	10"	12"
A	40 ¹ / ₄	52 ¹ / ₄	64 ¹ / ₄	76 ¹ / ₄	88 ¹ / ₄	100 ¹ / ₄
B	24	32	40	48	56	60
C	18 ³ / ₈					
D	35 ¹ / ₂	47 ¹ / ₂	59 ¹ / ₂	71 ¹ / ₂	83 ¹ / ₂	95 ¹ / ₂
E	12, 20, 30, 36, 60					
F	8 ¹ / ₈					
G	42 ¹ / ₄	54 ¹ / ₄	66 ¹ / ₄	78 ¹ / ₄	90 ¹ / ₄	102 ¹ / ₄
H	15 ¹ / ₈					
I	23 ¹ / ₄ + Glass Height					
J	26 ³ / ₁₆ + Glass Height					
K	19 ³ / ₈					
L	43 ³ / ₈	55 ⁵ / ₈	67 ⁷ / ₈	79 ⁹ / ₈	91 ¹¹ / ₈	103 ¹³ / ₈
M	39 ³ / ₄	51 ³ / ₄	63 ³ / ₄	75 ³ / ₄	87 ³ / ₄	99 ³ / ₄
O	44	56	67	80	92	104
P	47 ³ / ₈	59 ⁵ / ₈	71 ⁷ / ₈	83 ⁹ / ₈	96	108

Unit Framing Rough-in

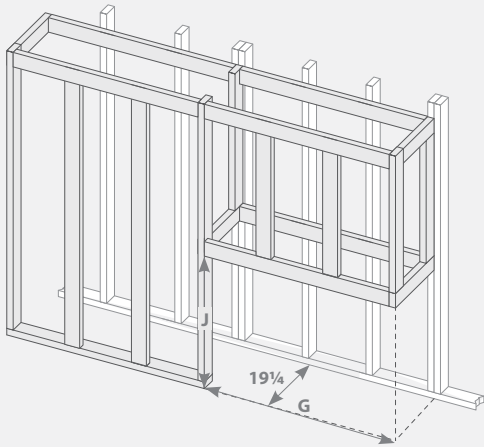
PRODIGY SINGLE SIDED FRAMING ROUGH IN



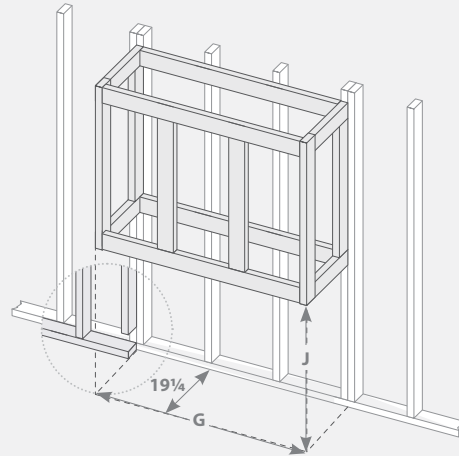
PRODIGY SEE THROUGH FRAMING ROUGH IN



PRODIGY CORNER FRAMING ROUGH IN



PRODIGY BAY FRAMING ROUGH IN



	3'	4'	5'	6'	7'	8'
G	42 ¹ / ₄	54 ¹ / ₄	66 ¹ / ₄	78 ¹ / ₄	90 ¹ / ₄	102 ¹ / ₄
J	26 ³ / ₁₆ + Glass Height					

Unit Specifications

	BTU Natural Gas	BTU Liquid Propane	Intake venting	Required B vent	Electrical requirements	Powevent Roof	Powevent Wall	Powevent Inline	Total area of free air intake
PC3**	40,000	31,000	2 x 6"	8"	208 VAC Single Phase 15 Amp	PCSBFPV-R03-08	PCSBFPV-W03-08	PCINGPV-L03-08	56.52 sq.inches
PC4**	50,000	52,000	2 x 8"	10"	208 VAC Single Phase 15 Amp	PCSBFPV-R03-10	PCSBFPV-W03-10	PCINGPV-L03-10	100.48 sq.inches
PC5**	75,000	64,000	2 x 8"	10"	208 VAC Single Phase 15 Amp	PCSBFPV-R03-10	PCSBFPV-W03-10	PCINGPV-L03-10	100.48 sq.inches
PC6**	88,000	78,000	2 x 8"	10"	208 VAC Single Phase 15 Amp	PCSBFPV-R03-10	PCSBFPV-W03-10	PCINGPV-L03-10	100.48 sq.inches
PC7**	100,000	105,000	2 x 8"	10"	208 VAC Single Phase 15 Amp	PCSBFPV-R03-10	PCSBFPV-W03-10	PCINGPV-L03-10	100.48 sq.inches
PC8**	112,000	120,000	2 x 10"	12"	208 VAC Single Phase 15 Amp	PCSBFPV-R03-12	PCSBFPV-W03-12	PCINGPV-L03-12	157 sq. inches

Body finish	Flue location	Intake vent locations:	COOL-Pack glass temperature	Burner style	Fuel	Controls	Control cable	Damper cable
Matte black	Top	Top both sides	As low as 115°F (46°C)	See chart	Natural gas or propane	On/Off wall switch, multifunction LED remote	50'	50'x2

PRODIGY QUICKSHIP

The following units are stocked and feature premium Glacier firestones and pre-installed black reflective glass panels.
Natural gas only. PC420 PC520 PC620 PC820

	PC3 BURNER STYLE	PC4 BURNER STYLE	PC5 BURNER STYLE	PC6 BURNER STYLE	PC7 BURNER STYLE	PC8 BURNER STYLE
60"	ribbon	high/low	high/low	high/low	high/low	high/low
36"	ribbon	high/low	high/low	high/low	high/low	high/low
30"	ribbon	high/low	high/low	high/low	high/low	high/low
20"	ribbon	high/low	high/low	high/low	high/low	high/low
12"	ribbon	ribbon	ribbon	ribbon	ribbon	ribbon



**RIBBON
BURNER**

**HIGH-LOW
BURNER**