



PRODIGY

Bay
Corner

QUICK DIMENSIONS

	PC3		PC4		PC5		PC6		PC7		PC8	
	UNIT	FRAM.	UNIT	FRAM.	UNIT	FRAM.	UNIT	FRAM.	UNIT	FRAM.	UNIT	FRAM.
F.WIDTH	43 ⁷ / ₈	42 ⁷ / ₈	55 ⁷ / ₈	54 ¹ / ₄	67 ⁷ / ₈	66 ¹ / ₄	79 ⁷ / ₈	78 ¹ / ₄	91 ⁷ / ₈	90 ¹ / ₄	103 ⁷ / ₈	102 ¹ / ₄
HEIGHT [†]	23 ¹ / ₄	26 ³ / ₁₆	23 ¹ / ₄	26 ³ / ₁₆	23 ¹ / ₄	26 ³ / ₁₆	23 ¹ / ₄	26 ³ / ₁₆	23 ¹ / ₄	26 ³ / ₁₆	23 ¹ / ₄	26 ³ / ₁₆
DEPTH	19 ⁷ / ₈	18 ⁵ / ₈	19 ⁷ / ₈	18 ⁵ / ₈	19 ⁷ / ₈	18 ⁵ / ₈	19 ⁷ / ₈	18 ⁵ / ₈	19 ⁷ / ₈	18 ⁵ / ₈	19 ⁷ / ₈	18 ⁵ / ₈
VIEWING [‡]	39 ³ / ₄ × H		51 ³ / ₄ × H		63 ³ / ₄ × H		75 ³ / ₄ × H		87 ³ / ₄ × H		99 ³ / ₄ × H	
VIEWING [‡]	43 ⁵ / ₈ × H		55 ⁵ / ₈ × H		67 ⁵ / ₈ × H		79 ⁵ / ₈ × H		91 ⁵ / ₈ × H		103 ⁵ / ₈ × H	

Standard

COOL-Pack glass system

Multi-color LED lighting

Intake dampers

Firestones, firebeads
or fireglass

Options

Speckled stones,
driftwood

Black reflective glass

Flue gas dampers

[†] Viewing area for corner units

[‡] Viewing area for bay units

[°] Plus glass height

BTU LISTING

PC3**N* / 40,000

PC4**N* / 50,000

PC5**N* / 75,000

PC6**N* / 88,000

PC7**N* / 100,000

PC8**N* / 112,000

PC3**L* / 31,000

PC4**L* / 52,000

PC5**L* / 64,000

PC6**L* / 78,000

PC7**L* / 105,000

PC8**L* / 120,000



Features

All glass barriers, no screen required

Zero clearance

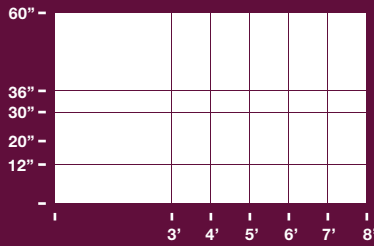
Compatible with home automation systems

Commercial grade valve, burner and control system

10mm glass



AVAILABLE DIMENSIONS



10mm glass



Unit Specifications

	BTU Natural Gas	BTU Liquid Propane	Intake venting	Required B vent	Electrical requirements	Powevent Roof	Powevent Wall	Powevent Inline	Total area of free air intake
PC3**	40,000	31,000	2 x 6"	8"	208-240 VAC Single Phase 15 Amp	PCSBFPV-R03-08	PCSBFPV-W03-08	PCINGPV-L03-08	56.52 sq.inches
PC4**	50,000	52,000	2 x 8"	10"	208-240 VAC Single Phase 15 Amp	PCSBFPV-R03-10	PCSBFPV-W03-10	PCINGPV-L03-10	100.48 sq.inches
PC5**	75,000	64,000	2 x 8"	10"	208-240 VAC Single Phase 15 Amp	PCSBFPV-R03-10	PCSBFPV-W03-10	PCINGPV-L03-10	100.48 sq.inches
PC6**	88,000	78,000	2 x 8"	10"	208-240 VAC Single Phase 15 Amp	PCSBFPV-R03-10	PCSBFPV-W03-10	PCINGPV-L03-10	100.48 sq.inches
PC7**	100,000	105,000	2 x 8"	10"	208-240 VAC Single Phase 15 Amp	PCSBFPV-R03-10	PCSBFPV-W03-10	PCINGPV-L03-10	100.48 sq.inches
PC8**	112,000	120,000	2 x 10"	12"	208-240 VAC Single Phase 15 Amp	PCSBFPV-R03-12	PCSBFPV-W03-12	PCINGPV-L03-12	157 sq. inches

Body finish	Flue location	Intake vent locations:	COOL-Pack glass temperature	Burner style	Fuel	Controls	Control cable	Damper cable
Matte black	Top	Top both sides	As low as 115°F (46°C)	See chart	Natural gas or propane	On/Off wall switch, multifunction LED remote	50'	50'x2

PRODIGY QUICKSHIP

The following units are stocked and feature premium Glacier firestones and pre-installed black reflective glass panels. Natural gas only.
PC420 PC520 PC620 PC820

	PC3 BURNER STYLE	PC4 BURNER STYLE	PC5 BURNER STYLE	PC6 BURNER STYLE	PC7 BURNER STYLE	PC8 BURNER STYLE
60"	ribbon	high/low	high/low	high/low	high/low	high/low
36"	ribbon	high/low	high/low	high/low	high/low	high/low
30"	ribbon	high/low	high/low	high/low	high/low	high/low
20"	ribbon	high/low	high/low	high/low	high/low	high/low
12"	ribbon	ribbon	ribbon	ribbon	ribbon	ribbon

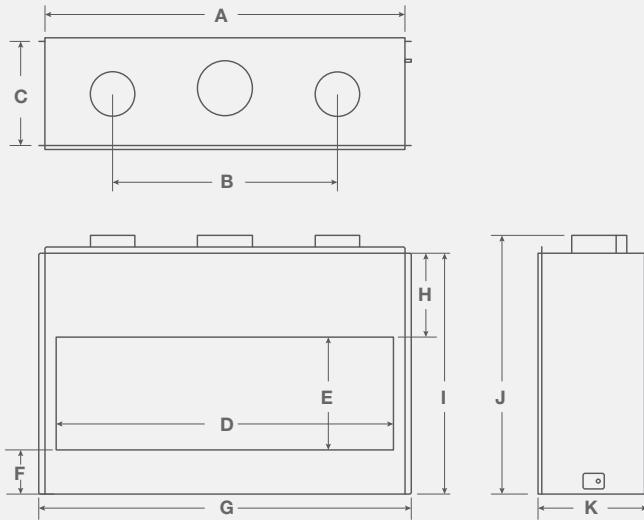


**RIBBON
BURNER**

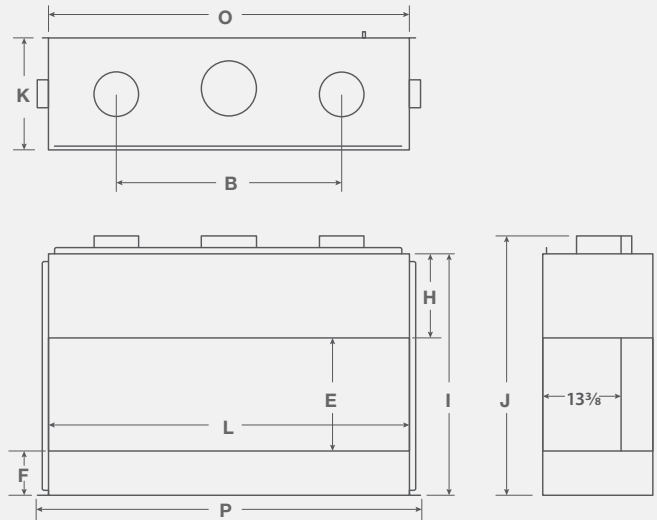
**HIGH-LOW
BURNER**

Unit Dimensions

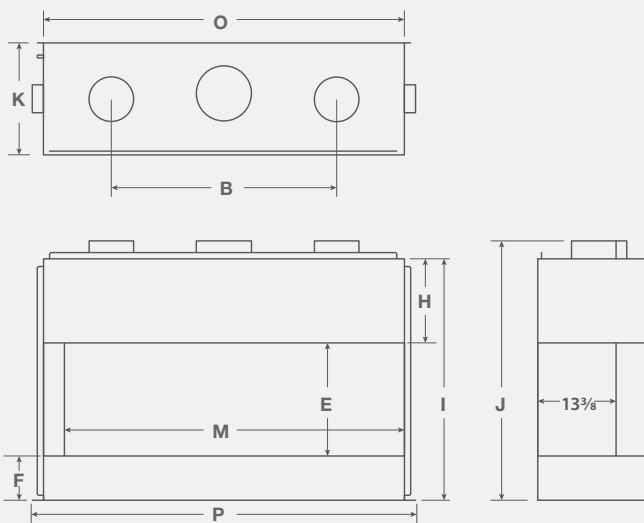
PRODIGY SINGLE SIDED DIMENSIONS



PRODIGY BAY DIMENSIONS



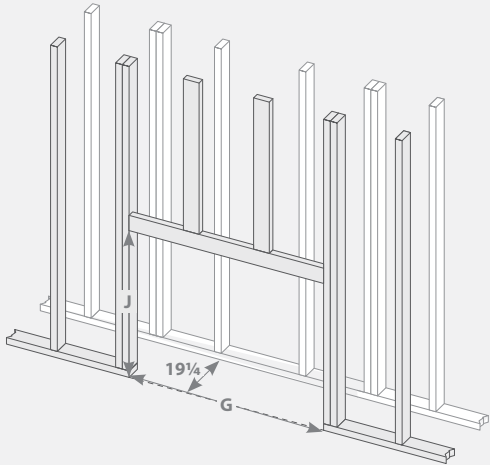
PRODIGY CORNER DIMENSIONS



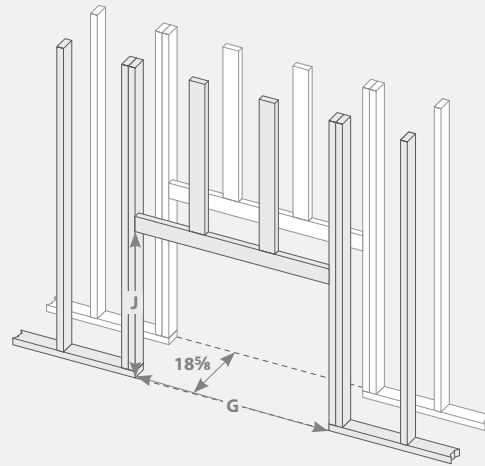
	3'	4'	5'	6'	7'	8'
AIR INTAKE	2X6	2X8	2X8	2X8	2X8	2X10
EXHAUST	8"	10"	10"	10"	10"	12"
A	40 ¹ / ₄	52 ¹ / ₄	64 ¹ / ₄	76 ¹ / ₄	88 ¹ / ₄	100 ¹ / ₄
B	24	32	40	48	56	60
C	18 ³ / ₈					
D	35 ¹ / ₂	47 ¹ / ₂	59 ¹ / ₂	71 ¹ / ₂	83 ¹ / ₂	95 ¹ / ₂
E	12, 20, 30, 36, 60					
F	8 ¹ / ₈					
G	42 ¹ / ₄	54 ¹ / ₄	66 ¹ / ₄	78 ¹ / ₄	90 ¹ / ₄	102 ¹ / ₄
H	15 ¹ / ₈					
I	23 ¹ / ₄ + Glass Height					
J	26 ³ / ₁₆ + Glass Height					
K	19 ³ / ₈					
L	43 ³ / ₈	55 ⁵ / ₈	67 ⁷ / ₈	79 ⁹ / ₈	91 ¹¹ / ₈	103 ¹³ / ₈
M	39 ³ / ₄	51 ³ / ₄	63 ³ / ₄	75 ³ / ₄	87 ³ / ₄	99 ³ / ₄
O	44	56	67	80	92	104
P	47 ³ / ₈	59 ⁵ / ₈	71 ⁷ / ₈	83 ⁹ / ₈	96	108

Unit Framing Rough-in

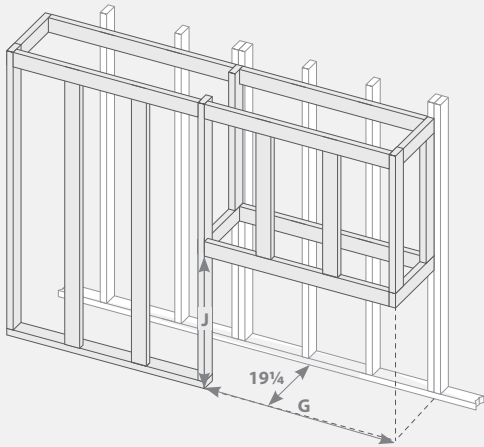
PRODIGY SINGLE SIDED FRAMING ROUGH IN



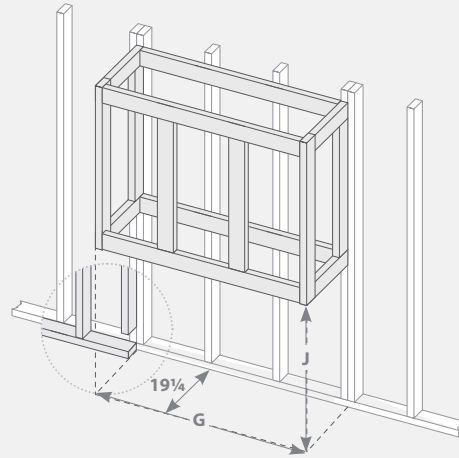
PRODIGY SEE THROUGH FRAMING ROUGH IN



PRODIGY CORNER FRAMING ROUGH IN



PRODIGY BAY FRAMING ROUGH IN



	3'	4'	5'	6'	7'	8'
G	42 ¹ / ₄	54 ¹ / ₄	66 ¹ / ₄	78 ¹ / ₄	90 ¹ / ₄	102 ¹ / ₄
J	26 ³ / ₁₆ + Glass Height					