



DIVINE  
OUTDOOR SERIES

SPECIFICATIONS  
AND FEATURES

H38SVO  
TRADITIONAL

HL38SVO  
CONTEMPORARY

Standard

Traditional burner and logset

Manual Hi-Lo flame control

Wrought iron grate

Safety screen

Options

Freestanding cool touch enclosure (HSI units only)

Standard

Contemporary burner with Sage firebeads

Manual Hi-Lo flame control

Safety screen

Options

Firestones, firebeads or fireglass

Freestanding cool touch enclosure (HSI units only)

H38SVO,  
HL38SVO

See through  
Ventless  
Outdoor

QUICK DIMENSIONS

	H38SVO	
	UNIT	FRAM.
F.WIDTH	43 <sup>3</sup> / <sub>16</sub>	42
B.WIDTH	28 <sup>1</sup> / <sub>8</sub>	42
HEIGHT	41 <sup>1</sup> / <sub>16</sub>	46 <sup>1</sup> / <sub>2</sub>
DEPTH	20 <sup>3</sup> / <sub>8</sub>	21 <sup>1</sup> / <sub>8</sub>
VIEWING	39 <sup>1</sup> / <sub>2</sub> x 28 <sup>3</sup> / <sub>4</sub>	

BTU LISTING

H38SVO\* / 45,000  
HL38SVO\* / 45,000

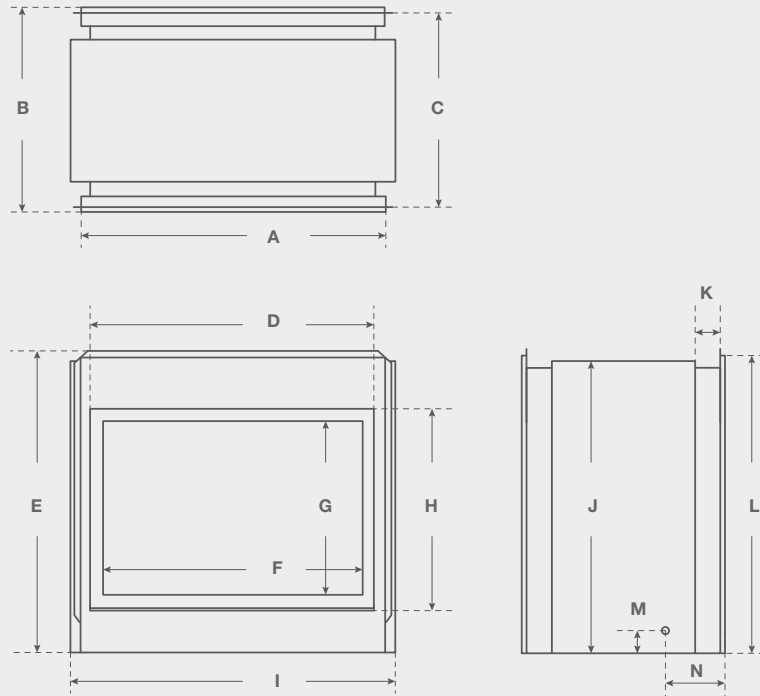


## Features

Ventless design

Stainless steel construction

## DIVINE OUTDOOR SEE THROUGH DIMENSIONS



	A	B	C	D	E	F	G	H	I	J	K	L	M	N
H38SVO	37 <sup>3</sup> / <sub>4</sub>	25 <sup>3</sup> / <sub>16</sub>	24	25	36 <sup>9</sup> / <sub>16</sub>	32 <sup>1</sup> / <sub>8</sub>	21 <sup>1</sup> / <sub>16</sub>	25	40 <sup>1</sup> / <sub>8</sub>	36 <sup>3</sup> / <sub>16</sub>	3 <sup>3</sup> / <sub>8</sub>	36 <sup>1</sup> / <sub>2</sub>	3	5 <sup>1</sup> / <sub>4</sub>

MONTIGO / DIVINE / H38SVON / TRADITIONAL LOGSET / SHOWN WITHOUT SCREEN



OPTIONS &  
FEATURES



COOLTOUCH  
ENCLOSURE<sup>1</sup>  
RTSCH38VO

# Unit Specifications

## Icon Legend

AVAILABLE +

NOT AVAILABLE -

DEDICATED ◊

STANDARD ○

	BTU Natural Gas	BTU Liquid Propane	Clearance Top	Clearance Sides	Clearance Back	Clearance Floor	Standard media	Front glass type	Powervent	Remote control	Fans	Uplighting	Downlighting
H34VO**	26,000	26,000	9	1	1	0	Traditional	Tempered	-	-	-	-	-
H38VO**	34,000	34,000	9	1	1	0	Traditional	Tempered	-	-	-	-	-
H38SVO**	34,000	34,000	36	12	N/A	0	Traditional	Tempered	-	-	-	-	-
HL38SVO**	34,000	34,000	36	12	N/A	0	HW1082	Tempered	-	-	-	-	-
H42VO**	40,000	40,000	9	1	1	0	Traditional	Tempered	-	-	-	-	-
PL42VO*	28,000	28,000	0	1	0	0	HW1106	Tempered	-	+	◊	-	-
PL60VO*	47,000	47,000	0	1	0	0	HW1106	Tempered	-	+	◊	-	-

## DIVINE OUTDOOR FRAMING

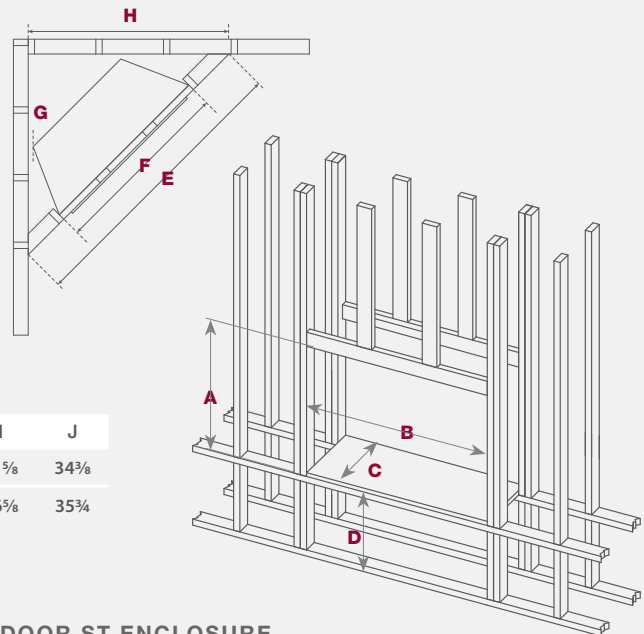
	A	B	C	D	E	F	G	H
H34VO	40 <sup>3</sup> / <sub>8</sub>	33 <sup>3</sup> / <sub>8</sub>	20 <sup>3</sup> / <sub>4</sub> <sup>†</sup>	12*	73 <sup>3</sup> / <sub>8</sub>	73 <sup>3</sup> / <sub>8</sub>	1	52
H38VO	40 <sup>3</sup> / <sub>8</sub>	37 <sup>3</sup> / <sub>8</sub>	21 <sup>†</sup>	12*	79	79	1	55 <sup>3</sup> / <sub>8</sub>
H42VO	46 <sup>3</sup> / <sub>4</sub>	42	22 <sup>5</sup> / <sub>8</sub> <sup>†</sup>	12*	85	85	1	60

## DIVINE OUTDOOR ST FRAMING

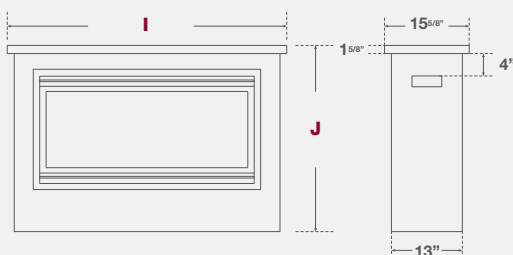
	A	B	C	D
H38SVO	38	41	23 <sup>3</sup> / <sub>8</sub>	12*

## MAHANA FRAMING AND ENCLOSURE

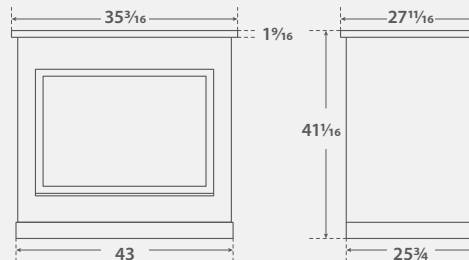
	A	B	C	D	E	F	G	H	I	J
PL42VO	27 <sup>1</sup> / <sub>2</sub>	42	14 <sup>3</sup> / <sub>4</sub>	12*	62 <sup>7</sup> / <sub>16</sub>	42 <sup>3</sup> / <sub>8</sub>	0	48 <sup>3</sup> / <sub>8</sub>	51 <sup>1</sup> / <sub>8</sub>	34 <sup>3</sup> / <sub>8</sub>
PL60VO	27 <sup>1</sup> / <sub>2</sub>	66	14 <sup>3</sup> / <sub>4</sub>	12*	87	67	0	65 <sup>1</sup> / <sub>2</sub>	76 <sup>3</sup> / <sub>8</sub>	35 <sup>3</sup> / <sub>4</sub>



## MAHANA ENCLOSURE



## DIVINE OUTDOOR ST ENCLOSURE



See instruction manual for detailed instructions

Be sure to plan a drain system for both in the wall and standalone installations.

\*Measurement above grade for US installations

<sup>†</sup>Dimension is to back wall or back studs