



Features

Ventless design

304 Stainless steel

Listed for wood frame construction

Blowers provide zone heating up to 10'

MAHANA  
OUTDOOR SERIES

SPECIFICATIONS  
AND FEATURES

MAHANA  
CONTEMPORARY

PL42VO,  
PL60VO

Ventless  
Outdoor

QUICK DIMENSIONS

	PL42VO		PL60VO	
	UNIT	FRAM.	UNIT	FRAM.
F.WIDTH	29½	42	33½	66
B.WIDTH	19¾	42	23¾	66
HEIGHT	20	32½	23¾	29¼
DEPTH	13½	14¾	14½	14¾
VIEWING	24¼ x 14½		28¾ x 18½	

Standard

Concealed burner with Quartz firebeads

Built in blower system

Safety screen

Options

LED backlighting kit

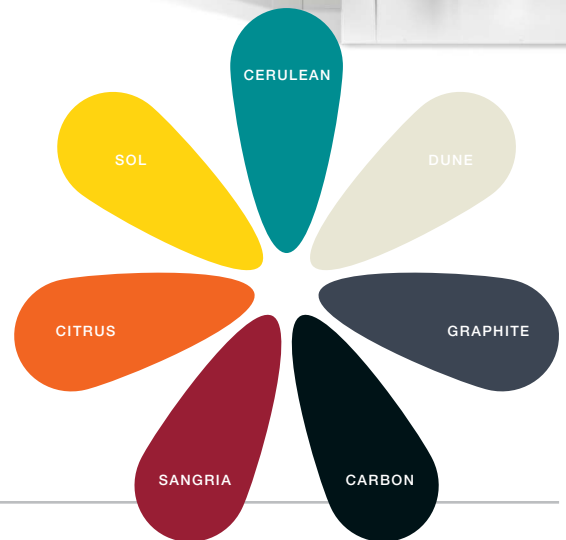
Stainless steel and powdercoated enclosures

Enclosure pedestal

Remote control kit

Enclosure cover

Driftwood logset and speckled stones



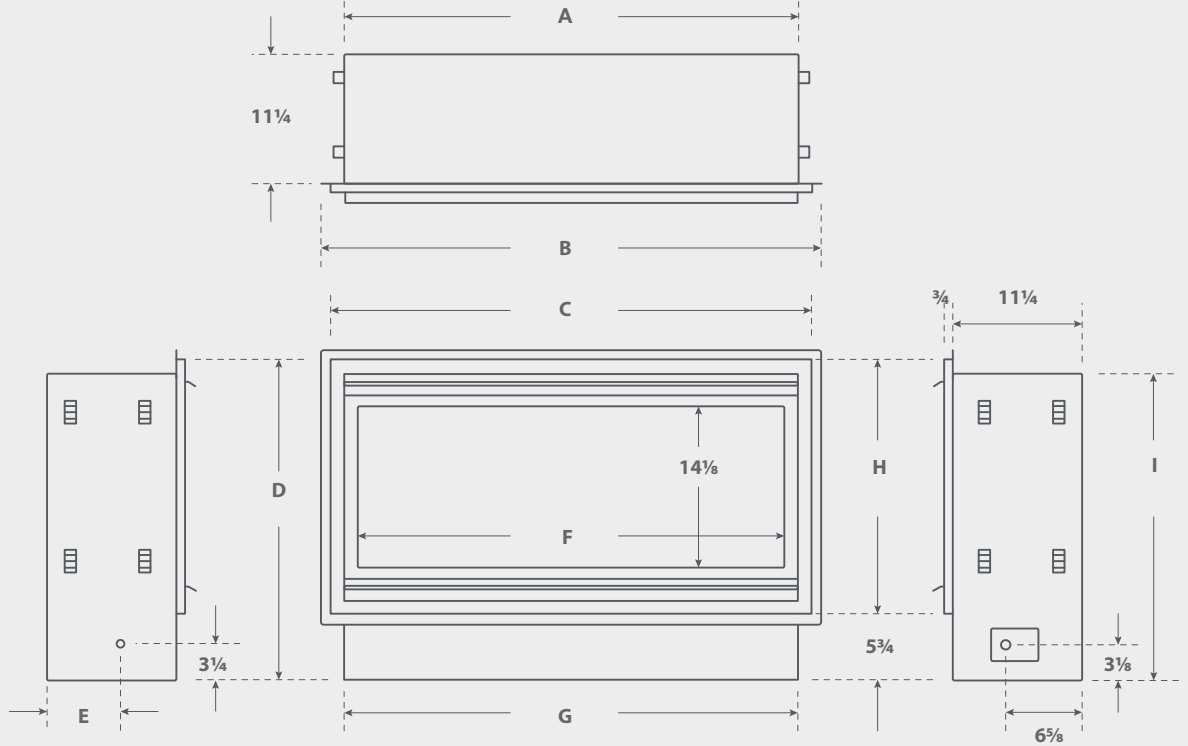
BTU LISTING

PL42VO\* / 28,000

PL60VO\* / 47,000



**MAHANA DIMENSIONS**



	A	B	C	D	E	F	G	H	I	J	K
PL42VO	39 3/4	43 3/8	42	28	6 3/8	37 1/4	39 3/4	22 1/4	26 7/8	51 1/8	34 3/8
PL60VO	63 3/4	67 3/8	66	28 5/8	4 7/8	61 1/4	63 3/4	22 3/8	27 1/4	76 5/8	35 3/4

For enclosure dimensions please reference framing dimensions page



MONTIGO / MAHANA / PL60VO / QUARTZ FIREBEADS /



REMOTE ON/OFF  
RXM5010VO



ENCLOSURES  
PLVOBE\*\*



ENCLOSURE  
PEDESTAL  
PL\*\*VOBE-P



ENCLOSURE COVER  
PL\*\*CVR



LED BACKLIGHTING  
PLVOBE\*\*

OPTIONS &  
FEATURES



# Unit Specifications

## Icon Legend

AVAILABLE +

NOT AVAILABLE -

DEDICATED ◊

STANDARD ○

	BTU Natural Gas	BTU Liquid Propane	Clearance Top	Clearance Sides	Clearance Back	Clearance Floor	Standard media	Front glass type	Powervent	Remote control	Fans	Uplighting	Downlighting
H34VO**	26,000	26,000	9	1	1	0	Traditional	Tempered	-	-	-	-	-
H38VO**	34,000	34,000	9	1	1	0	Traditional	Tempered	-	-	-	-	-
H38SVO**	34,000	34,000	36	12	N/A	0	Traditional	Tempered	-	-	-	-	-
HL38SVO**	34,000	34,000	36	12	N/A	0	HW1082	Tempered	-	-	-	-	-
H42VO**	40,000	40,000	9	1	1	0	Traditional	Tempered	-	-	-	-	-
PL42VO*	28,000	28,000	0	1	0	0	HW1106	Tempered	-	+	◊	-	-
PL60VO*	47,000	47,000	0	1	0	0	HW1106	Tempered	-	+	◊	-	-

## DIVINE OUTDOOR FRAMING

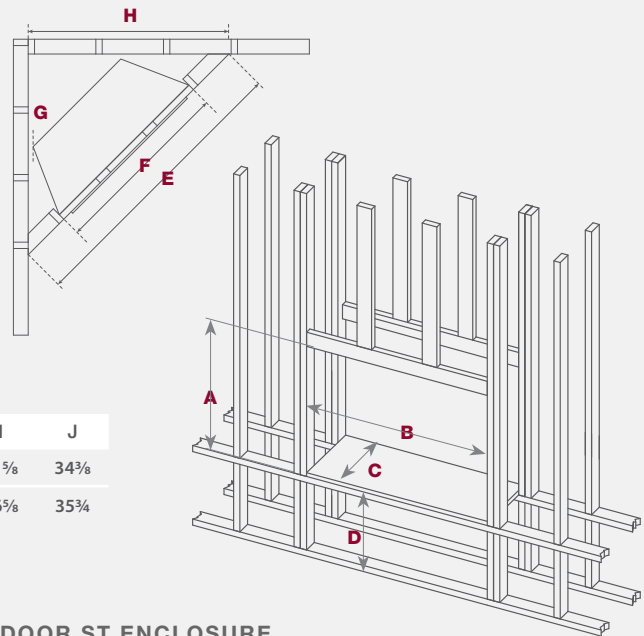
	A	B	C	D	E	F	G	H
H34VO	40 <sup>3</sup> / <sub>8</sub>	33 <sup>3</sup> / <sub>8</sub>	20 <sup>3</sup> / <sub>4</sub> <sup>†</sup>	12*	73 <sup>3</sup> / <sub>8</sub>	73 <sup>3</sup> / <sub>8</sub>	1	52
H38VO	40 <sup>3</sup> / <sub>8</sub>	37 <sup>3</sup> / <sub>8</sub>	21 <sup>†</sup>	12*	79	79	1	55 <sup>3</sup> / <sub>8</sub>
H42VO	46 <sup>3</sup> / <sub>4</sub>	42	22 <sup>5</sup> / <sub>8</sub> <sup>†</sup>	12*	85	85	1	60

## DIVINE OUTDOOR ST FRAMING

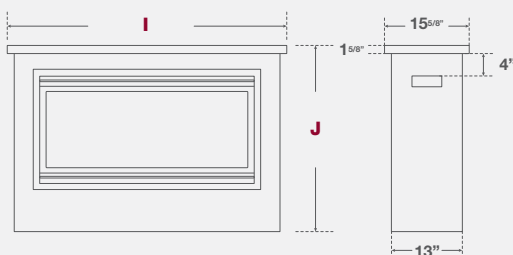
	A	B	C	D
H38SVO	38	41	23 <sup>3</sup> / <sub>8</sub>	12*

## MAHANA FRAMING AND ENCLOSURE

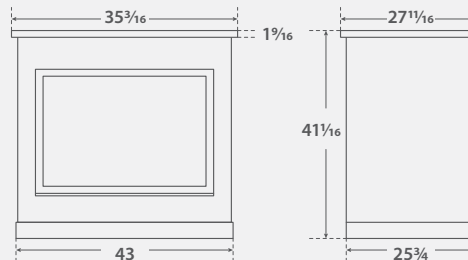
	A	B	C	D	E	F	G	H	I	J
PL42VO	27 <sup>1</sup> / <sub>2</sub>	42	14 <sup>3</sup> / <sub>4</sub>	12*	62 <sup>7</sup> / <sub>16</sub>	42 <sup>3</sup> / <sub>8</sub>	0	48 <sup>3</sup> / <sub>8</sub>	51 <sup>1</sup> / <sub>8</sub>	34 <sup>3</sup> / <sub>8</sub>
PL60VO	27 <sup>1</sup> / <sub>2</sub>	66	14 <sup>3</sup> / <sub>4</sub>	12*	87	67	0	65 <sup>1</sup> / <sub>2</sub>	76 <sup>3</sup> / <sub>8</sub>	35 <sup>3</sup> / <sub>4</sub>



## MAHANA ENCLOSURE



## DIVINE OUTDOOR ST ENCLOSURE



See instruction manual for detailed instructions

Be sure to plan a drain system for both in the wall and standalone installations.

\*Measurement above grade for US installations

<sup>†</sup>Dimension is to back wall or back studs