



Features

Meets requirements for efficiency rebates

Glowing ceramic ember base and logset



ILLUME
TRADITIONAL

SPECIFICATIONS AND FEATURES

**ILLUME INSERTS
TRADITIONAL**

Standard

Ceramic burner and logset

Multi-function remote control

Halogen downlighting

Remote Hi-Lo flame control

Battery backup

Invisimesh screen

Options

Propane conversion kit

Remote controlled fans

Black porcelain liner

Various traditional liners[†]

Square, oversized or 4 sided surround[†]

[†]Required to complete install



30FID
34FID

Co-linear
Insert

QUICK DIMENSIONS

	30FID		34FID	
	UNIT	FRAM.	UNIT	FRAM.
F.WIDTH	29½	N/A	33½	N/A
B.WIDTH	19¾	N/A	23¾	N/A
HEIGHT	20	N/A	23¾	N/A
DEPTH	13½	N/A	14½	N/A
VIEWING	24¼ x 14½		28¾ x 18¾	

BTU LISTING

30FIDNIS-01 / 24,000
30FIDLIS-01 / 23,000

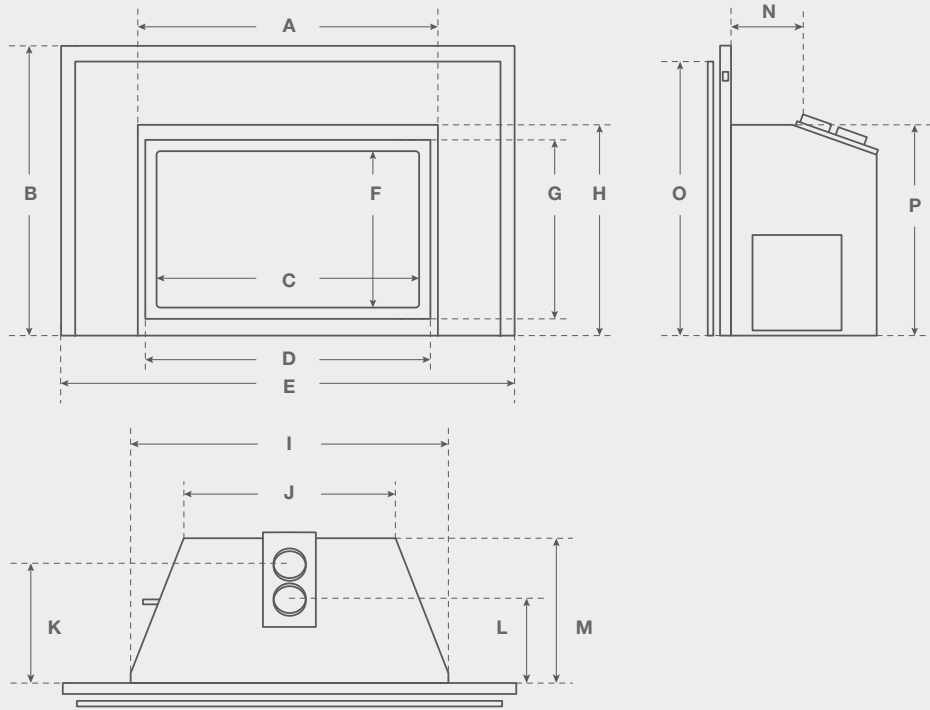
34FIDNIS-01 / 31,000
34FIDLIS-01 / 30,000

EFFICIENCY

30FIDNIS-01 / 78.8% P4
30FIDLIS-01 / 80.1% P4

34FIDNIS-01 / 81.1% P4
34FIDLIS-01 / 82% P4

ILLUME DIMENSIONS



	A	B	C	D	E	F	G	H	I	J	K	L	M	N	O	P
30FID	27 $\frac{3}{4}$	26 $\frac{7}{8}$	24 $\frac{1}{4}$	26 $\frac{1}{4}$	42	14 $\frac{1}{4}$	16 $\frac{5}{8}$	19 $\frac{1}{2}$	29 $\frac{1}{2}$	19 $\frac{7}{8}$	11 $\frac{1}{4}$	8	13 $\frac{1}{2}$	6 $\frac{3}{4}$	25 $\frac{3}{8}$	20
34FID	31 $\frac{3}{4}$	31	28	38 $\frac{3}{8}$	46 $\frac{1}{2}$	17 $\frac{1}{2}$	20 $\frac{1}{8}$	23 $\frac{3}{8}$	33 $\frac{1}{2}$	23 $\frac{3}{8}$	12 $\frac{3}{8}$	8 $\frac{5}{8}$	15	6 $\frac{3}{4}$	29 $\frac{1}{2}$	23 $\frac{3}{4}$



MONTIGO / ILLUME / 34FID / TRADITIONAL



MONTIGO / ILLUME / 30FID / TRADITIONAL



REMOTE^A
RXM5010



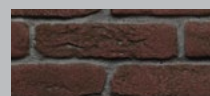
WALL REMOTE
REC1493



BLACK PORCELAIN[†]
PPL**



RUSTIC BROWN[†]
BRK3*FIB



RUSTIC RED[†]
BRK3*FIR

^A Standard on all inserts
[†] Must order a liner to complete order

Unit Specifications

Icon Legend	
AVAILABLE	+
DEDICATED	◊

NOT AVAILABLE	-
STANDARD	◦

	BTU	Gas Supply Press. NG (shown in w.c.)	Venting	Front viewing area	Front glass type	Standard media	Powervent	Remote control	Fans	Uplighting	Downlighting
30FIDN-L-F [NG]	24,000	7	3"OUT 3"IN	24¼x 14¼	Neoceramic	None	-	◦	+	◦	-
30FIDL-L-F [Propane]	23,000	11	3"OUT 3"IN	24¼x 14¼	Neoceramic	None	-	◦	+	◦	-
30FIDN-S-F [NG]	24,000	7	3"OUT 3"IN	24¼x 14¼	Neoceramic	Traditional	-	◦	+	-	◦
30FIDL-S-F [Propane]	23,000	11	3"OUT 3"IN	24¼x 14¼	Neoceramic	Traditional	-	◦	+	-	◦
34FIDN-L-F [NG]	31,000	7	4"OUT 3"IN	28¾x 18½	Neoceramic	None	-	◦	+	◦	-
34FIDL-L-F [Propane]	30,000	11	4"OUT 3"IN	28¾x 18½	Neoceramic	None	-	◦	+	◦	-
34FIDN-S-F [NG]	31,000	7	4"OUT 3"IN	28¾x 18½	Neoceramic	Traditional	-	◦	+	-	◦
34FIDL-S-F [Propane]	30,000	11	4"OUT 3"IN	28¾x 18½	Neoceramic	Traditional	-	◦	+	-	◦

ILLUME MASONRY CAVITY

	A	B	C	D	E
30FID	20	14	30	20	5
34FID	24	15	34	24	6

