



EXEMPLAR
MULTI SIDED

SPECIFICATIONS
AND FEATURES

RP424

Pier
Power vented

QUICK DIMENSIONS

RP424	UNIT FRAM.	
F.WIDTH	66½	68½
B.WIDTH	66½	24
HEIGHT	53	53
DEPTH	24	24
VIEWING	24 x 48	

EXEMPLAR RP424
CONTEMPORARY

Standard

- Concealed burner
- In-burner accent lighting
- Reflective firebox liner
- Your choice of speckled stones, firestones, firebeads or fireglass

Options

- Remote control
- Driftwood logset and speckled stones

EXEMPLAR
POWER VENTS

Wall Mount

- PVH58-300
- PVH510-300
- PVH5D-300

Flush Wall Mount

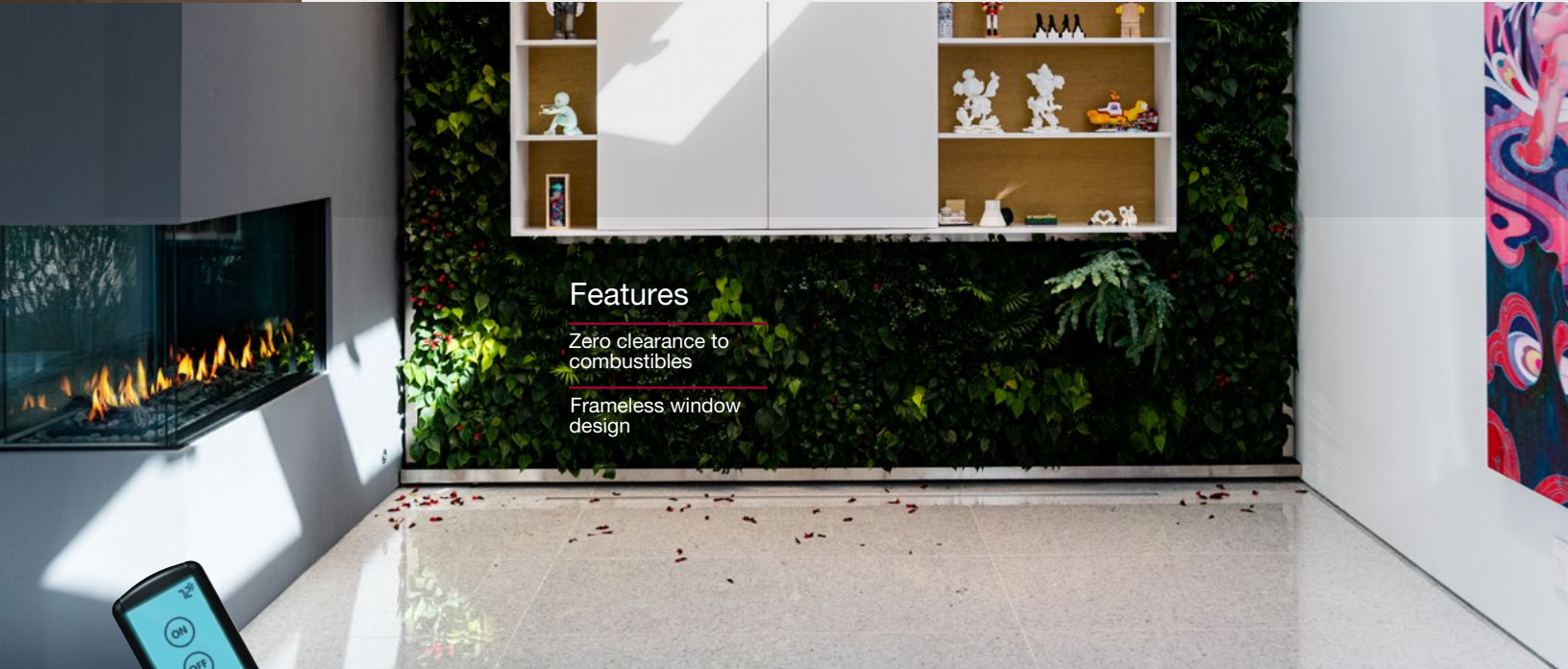
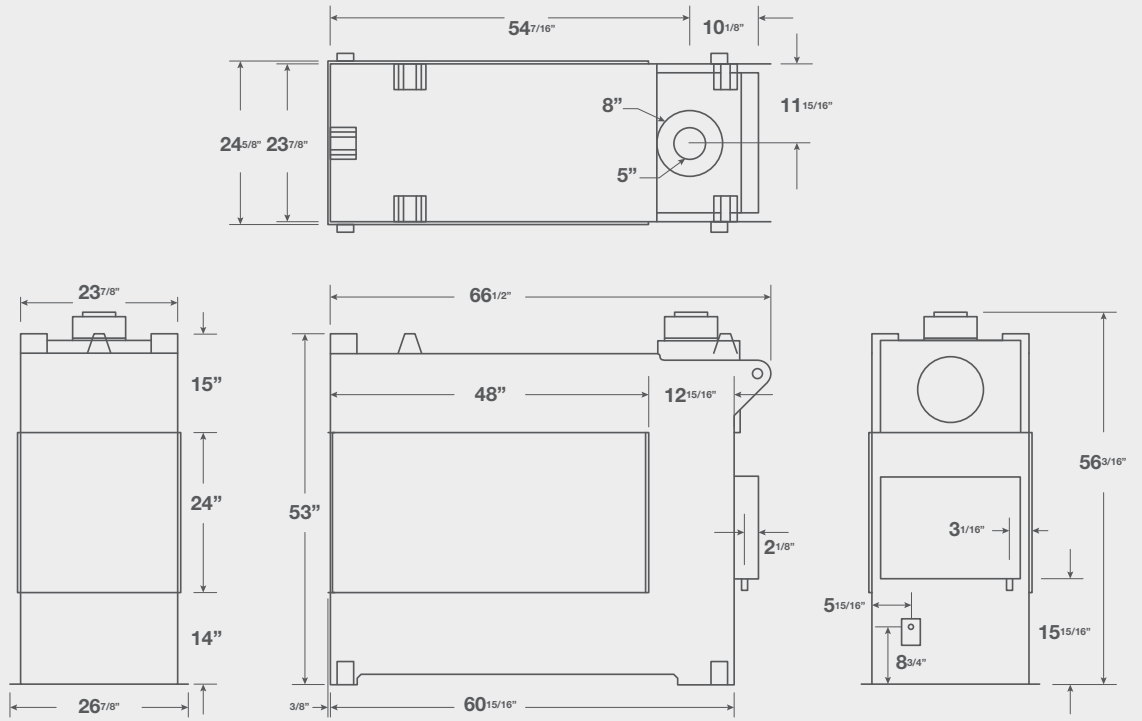
- PVHFL58-300
- PVHFL510-300
- PVHIN58-300-FS

Roof Mount

- PVREX58-300
- PVREX510-300



EXEMPLAR DIMENSIONS



Features

Zero clearance to combustibles

Frameless window design



REMOTE ON/OFF
RXM5010

Unit Specifications

Icon Legend

AVAILABLE +

NOT AVAILABLE -

DEDICATED ◊

STANDARD ○

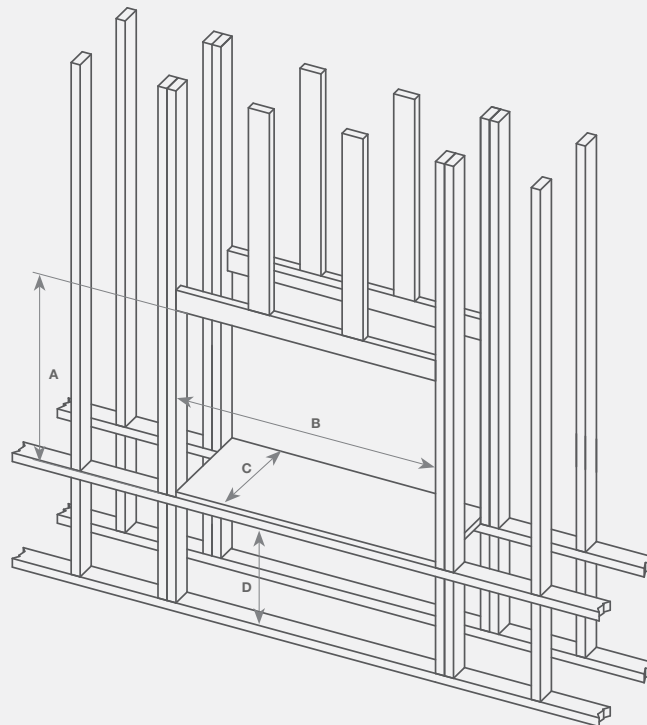
	BTU Natural Gas	BTU Liquid Propane	Venting	Clearance Top - Rear vent	Clearance Top - Top vent	Clearance Sides	Clearance Back	Clearance Floor	Front viewing area	Standard media	Front glass type	Invisimesh screen	Powervent	Remote control	Fans	Uplighting	Downlighting
R320	50,000	40,000	5"/8"	24	24	6	2	0	37¼ × 16⅞	HW1082	Tempered	○	◊	+	-	-	-
R420	65,000	55,000	5"/8"	24	24	6	2	0	49¼ × 16⅞	HW1082	Tempered	○	◊	+	-	-	-
R520	80,000	65,000	5"/10"	24	24	6	2	0	61¼ × 18⅞	HW1082	Tempered	○	◊	+	-	-	-
R620ST	100,000	100,000	5"/10"	26	26	3	2	0	85¼ × 18⅞	HW1082	Tempered	○	◊	+	-	-	-
RP620	75,000	70,000	5"/8"	25¾	25¾	5⅝	4	0	73¼ × 18⅞	HW1082	Neoceramic	○	◊	+	-	○	-
R720	100,000	80,000	5"/10"	24	24	6	2	0	85¼ × 18⅞	HW1082	Tempered	○	◊	+	-	-	-
R820	100,000	80,000	5"/10"	24	24	6	2	0	97¼ × 18⅞	HW1082	Tempered	○	◊	+	-	-	-
R324	50,000	50,000	N/A	3	3	½	N/A	0	35¼ × 26⅝	HW1082	Tempered	○	○	-	-	-	-
RP424	45,000	45,000	5"/8"	0	0	0	0	0	35¼ × 26⅝	N/A	Tempered	-	◊	+	-	○	-

EXEMPLAR FRAMING

	A	B	C	D
R320	47	55	23¾ [†]	24
R420	47	67	23¾ [†]	24
R520	45	77	23¾ [†]	24
RP620	54	96	26 [†]	24
R720	46	101	23¾ [†]	24
R820	46	113	23¾ [†]	24

EXEMPLAR ST FRAMING

	A	B	C	D
R320ST	47	55	23¾	0
R324	48	49	N/A	10
R420ST	47	67	23¾	0
R520ST	45	77	23¾	0
R620ST	45	101	23¾	0



See instruction manual for detailed instructions

Header on edge not required if framing meets clearance to venting

[†]Dimension is to back wall or back studs