



DIVINE
MULTI SIDED

SPECIFICATIONS
AND FEATURES

H38FSD
H42FSD

See through
Direct vent

QUICK DIMENSIONS

	H38FSD*		H42FSD*	
	UNIT	FRAM.	UNIT	FRAM.
F.WIDTH	39 ⁵ / ₁₆	40 ³ / ₄	43 ³ / ₁₆	45
B.WIDTH	39 ⁵ / ₁₆	40 ³ / ₄	43 ³ / ₁₆	45
HEIGHT	40 ⁹ / ₁₆	42 ¹ / ₂	44 ³ / ₈	49 ¹ / ₂
DEPTH	24 ¹ / ₂	23 ³ / ₄	24 ¹ / ₂	24
VIEWING	35 ¹ / ₄ × 26 ³ / ₈		39 ³ / ₈ × 30 ³ / ₈	

DIVINE FSD
TRADITIONAL

Standard

Traditional burner and logset

Heritage brick liner

Wrought iron grate

Hi-Lo flame adjustment

Options

Full function remote

Wall remote

Battery backup

Fan kit

Surrounds in satin black or stainless steel

DIVINE FSD
CONTEMPORARY KIT

Standard

Contemporary burner

Hi-Lo flame adjustment

Options

Firebeads, firestones, or fireglass

Full function remote

Wall remote

Battery backup

Fan kit

Surrounds in satin black or stainless steel

BTU LISTING

H38FSDN / 34,000
H38FSDL / 32,000
H38FSDNI / 34,000
H38FSDLI / 32,000

H42FSDN / 37,000
H42FSDL / 37,000
H42FSDNI / 37,000
H42FSDLI / 37,000

EFFICIENCY

H38FSDN / FE 57.5
H38FSDL / FE 57.5
H38FSDNI / FE 58.5
H38FSDLI / FE 58.5

H42FSDN / FE 66
H42FSDL / FE 66
H42FSDNI / FE 68.3
H42FSDLI / FE 68.3

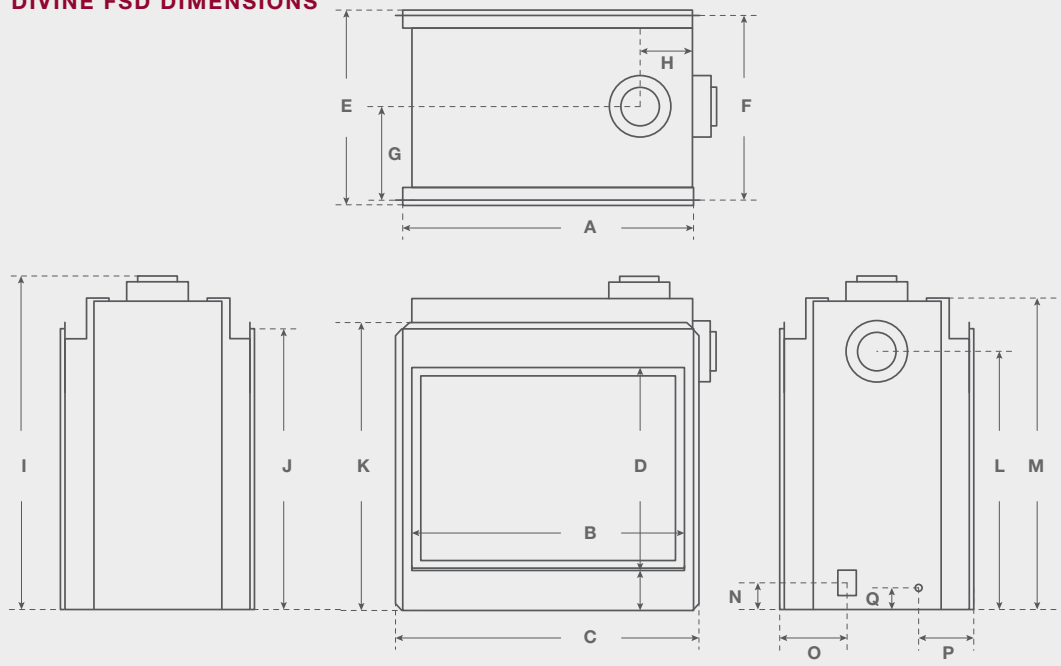


H34 / STAINLESS SURROUND



HLB34 / SATIN BLACK SURROUND

DIVINE FSD DIMENSIONS



	A	B	C	D	E	F	G	H	I	J	K	L	M	N	O	P	Q
H38FSD	37 ³ / ₄	35 ¹ / ₄	39 ⁵ / ₁₆	26 ³ / ₈	24 ¹ / ₂	24	12	6 ⁷ / ₈	43 ⁵ / ₁₆	36 ¹ / ₂	37 ⁵ / ₁₆	33 ³ / ₁₆	40 ⁹ / ₁₆	3 ⁵ / ₈	8 ⁵ / ₈	7 ³ / ₈	3
H42FSD	42	39 ³ / ₈	43 ³ / ₁₆	30 ³ / ₈	24 ¹ / ₂	24	12	6 ⁷ / ₈	46 ¹⁵ / ₁₆	40 ¹ / ₂	41 ⁵ / ₁₆	37 ³ / ₈	44 ³ / ₈	3 ⁵ / ₈	8 ⁵ / ₈	7 ³ / ₈	3



MONTIGO / DIVINE / H38FSDNI / TRADITIONAL LOGSET



MONTIGO / DIVINE / H42FSDNI / TRADITIONAL LOGSET



REMOTE RX200**



WALL REMOTE REC1493



HERITAGE^Δ

^Δ Standard on H38FSD*1, H42FSD*1

OPTIONS & FEATURES

Unit Specifications

Icon Legend

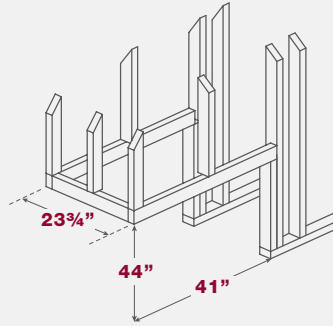
AVAILABLE +

NOT AVAILABLE -

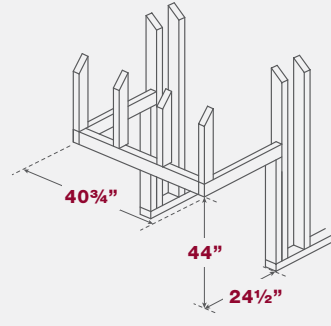
DEDICATED ◊

STANDARD ○

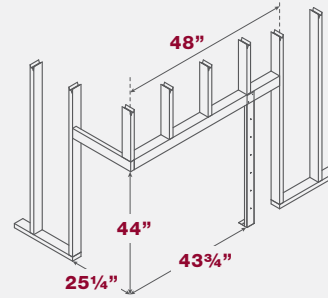
PIER FRAMING



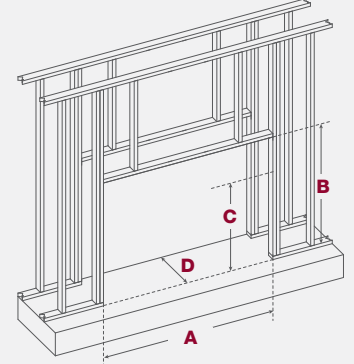
BAY FRAMING



CORNER FRAMING



SEE THROUGH FRAMING



NON COMBUSTIBLE STUD INCLUDED WITH UNIT

Approximate dimensions to center. For best results mount noncombustible stud onto unit, then bolt to 2x4 header and floor.

	A	B	C	D
H38FSD	40 3/4"	42 1/2"	N/A	23 3/4"
H42FSD	45"	49 1/2"	46 1/2"	24"

NON COMBUSTIBLE STUD INCLUDED WITH UNIT - NOT NEEDED FOR H38FSD

	BTU Natural Gas	BTU Liquid Propane	Venting	Clearance Top - Rear vent	Clearance Top - Top vent	Clearance Sides	Clearance Back	Clearance Floor	Front viewing area	Front glass type	Standard media	Invisimesh	Powervent	Remote control	Fans	Uplighting	Downlighting
H38FSD*	34,000	32,000	5"/8"	9	17 1/2	1	2	0	35 3/4 x 26 3/8	Tempered	Traditional	○	+	+	+	-	-
H38FSD*1	34,000	32,000	5"/8"	9	17 1/2	1	2	0	35 3/4 x 26 3/8	Tempered	Traditional	○	+	+	+	-	-
H42FSD*	37,000	37,000	5"/8"	9	17 1/2	1	2	0	39 3/8 x 30 3/8	Tempered	Traditional	○	+	+	+	-	-
H42FSD*1	37,000	37,000	5"/8"	9	17 1/2	1	1	0	39 3/8 x 30 3/8	Tempered	Traditional	○	+	+	+	-	-
H38PF*1-2	34,000	32,000	5"/8"	9	17 1/2	1	1	0	32 1/8 x 21 5/8	Tempered	Traditional	○	+	○	-	-	-
HL38PF*1-2	34,000	32,000	5"/8"	9	17 1/2	1	1	0	32 1/8 x 21 5/8	Tempered	HW1082	○	+	○	-	-	-
H38PR*1-2	34,000	32,000	5"/8"	9	17 1/2	1	1	0	32 1/8 x 24 3/4	Tempered	Traditional	○	+	○	-	-	-
HL38PR*1-2	34,000	32,000	5"/8"	9	17 1/2	1	1	0	32 1/8 x 24 3/4	Tempered	HW1082	○	+	○	-	-	-
H38CL*1-2	34,000	32,000	5"/8"	9	17 1/2	1	1	0	32 1/8 x 24 3/4	Tempered	Traditional	○	+	○	-	-	-
HL38CL*1-2	34,000	32,000	5"/8"	9	17 1/2	1	1	0	32 1/8 x 24 3/4	Tempered	HW1082	○	+	○	-	-	-
H38CR*1-2	34,000	32,000	5"/8"	9	17 1/2	1	1	0	32 1/8 x 24 3/4	Tempered	Traditional	○	+	○	-	-	-
HL38CR*1-2	34,000	32,000	5"/8"	9	17 1/2	1	1	0	32 1/8 x 24 3/4	Tempered	HW1082	○	+	○	-	-	-