



DIVINE / PROUDLY HANDCRAFTED IN NORTH AMERICA

DIVINE

MULTI SIDED

ROOM DIVIDER

DIVINE PIER CONTEMPORARY

DIVINE PIER TRADITIONAL

H38PF

PIER DIRECT VENT

Standard

- Contemporary burner with ice fireglass
- Remote Hi-Lo flame
- Multi-function remote control
- Micro mesh screen
- Battery backup

Options

- Glass media
- Wall remote
- WiFi phone app control

Standard

- Traditional burner and logset
- Heritage brick liner
- Wrought iron grate
- Remote Hi-Lo flame
- Multi-function remote control
- Micro mesh screen
- Battery backup

Options

- Wall remote
- WiFi phone app control

QUICK DIMENSIONS

		H38PF	
		UNIT	FRAM.
F.WIDTH	43 ³ / ₁₆	42	
B.WIDTH	28 ¹ / ₈	42	
HEIGHT	41 ³ / ₁₆	46 ¹ / ₂	
DEPTH	20 ³ / ₈	21 ⁵ / ₈	
VIEWING	39 ¹ / ₂ x	28 ³ / ₄	

BTU LISTING

H38PFNI-2 / 34,000 BTU
H38PFLLI-2 / 32,000 BTU

HL38PFNI-2 / 34,000 BTU
HL38PFLLI-2 / 32,000 BTU

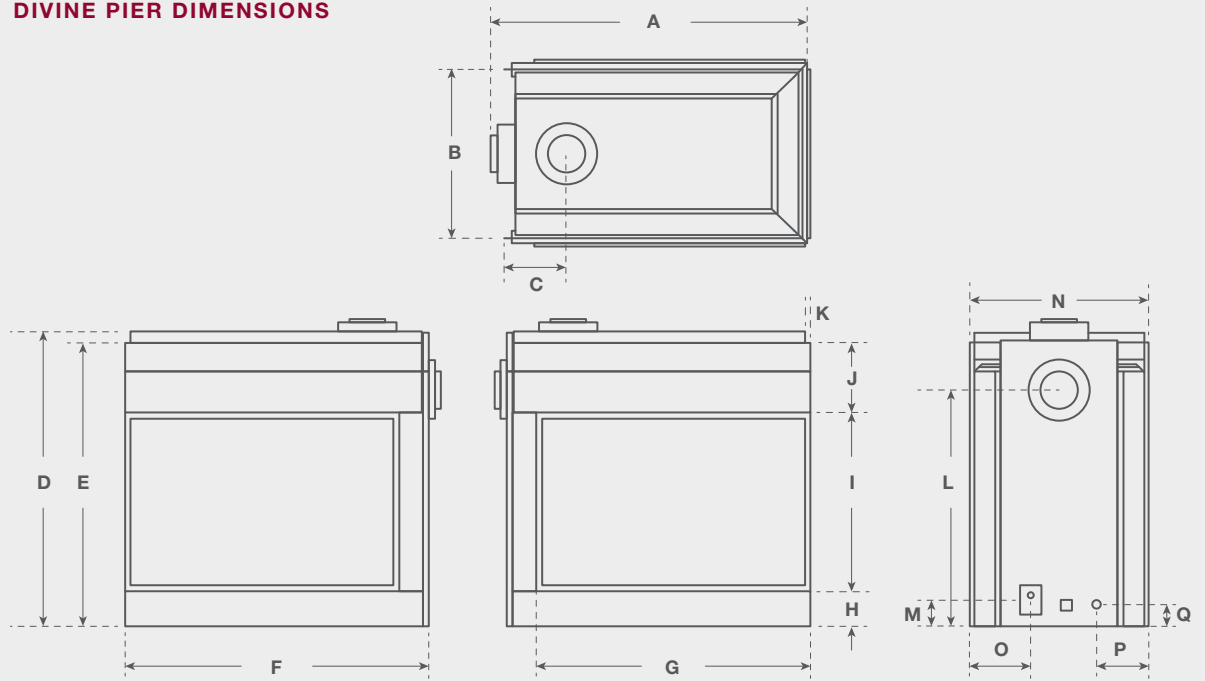
EFFICIENCY (FE)

H38PFNI-2 / 58.5%
H38PFLLI-2 / 58.5%

HL38PFNI-2 / 58.5%
HL38PFLLI-2 / 58.5%



DIVINE PIER DIMENSIONS



	A	B	C	D	E	F	G	H	I	J	K	L	M	N	O	P	Q
H38PRC	44 ¹ / ₁₆	23 ³ / ₈	8 ⁵ / ₈	41 ¹ / ₁₆	39 ³ / ₈	42 ¹ / ₂	38 ¹ / ₂	4 ⁷ / ₈	25 ¹ / ₁₆	9 ³ / ₄	1 ¹ / ₁₆	33	3 ¹ / ₁₆	25	8 ¹ / ₂	7 ⁵ / ₁₆	3 ¹ / ₁₆

MONTIGO / DIVINE / H38PFI / TRADITIONAL LOGSET



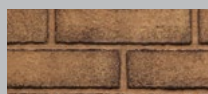
REMOTE^A
RX200**



WALL REMOTE
EC1550



WIFI PHONE APP
CONTROL
SIT-WIFI[†]



HERITAGE[†]

^A Standard on all pier units

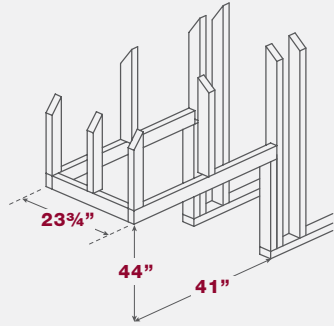
[†] Standard on H38PF¹-2

Unit Specifications

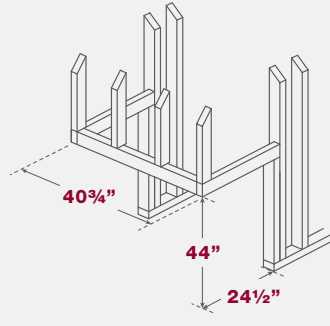
ICON LEGEND

AVAILABLE	+	NOT AVAILABLE	-
DEDICATED	◊	STANDARD	◦

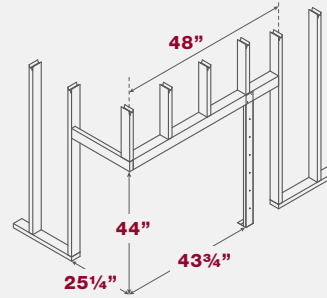
PIER FRAMING



BAY FRAMING



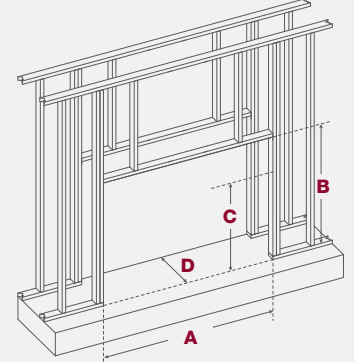
CORNER FRAMING



NON COMBUSTIBLE STUD INCLUDED WITH UNIT

Approximate dimensions to center. For best results mount noncombustible stud onto unit, then bolt to 2x4 header and floor.

SEE THROUGH FRAMING



	A	B	C	D
H38FSD	40 3/4"	42 1/2"	N/A	23 3/4"
H42FSD	45"	49 1/2"	46 1/2"	24"

NON COMBUSTIBLE STUD INCLUDED WITH UNIT - NOT NEEDED FOR H38FSD

	BTU NATURAL GAS	BTU LIQUID PROPANE	VENTING	CLEARANCE TOP - REAR VENT	CLEARANCE TOP - TOP VENT	CLEARANCE SIDES	CLEARANCE BACK	CLEARANCE FLOOR	FRONT VIEWING AREA	FRONT GLASS TYPE	STANDARD MEDIA	MICRO MESH	POWERVENT	REMOTE CONTROL	FANS	UPLIGHTING	DOWNLIGHTING
H38FSD*	34,000	32,000	5"/8"	9	17 1/2	1	2	0	35 3/4 X 26 3/8	TEMPERED	TRADITIONAL	◦	+	+	+	-	-
H38FSD*I	34,000	32,000	5"/8"	9	17 1/2	1	2	0	35 3/4 X 26 3/8	TEMPERED	TRADITIONAL	◦	+	+	+	-	-
H42FSD*	37,000	37,000	5"/8"	9	17 1/2	1	2	0	39 3/8 X 30 3/8	TEMPERED	TRADITIONAL	◦	+	+	+	-	-
H42FSD*I	37,000	37,000	5"/8"	9	17 1/2	1	1	0	39 3/8 X 30 3/8	TEMPERED	TRADITIONAL	◦	+	+	+	-	-
H38PF*I-2	34,000	32,000	5"/8"	9	17 1/2	1	1	0	32 1/2 X 21 3/8	TEMPERED	TRADITIONAL	◦	+	◦	-	-	-
HL38PF*I-2	34,000	32,000	5"/8"	9	17 1/2	1	1	0	32 1/2 X 21 3/8	TEMPERED	HW1157	◦	+	◦	-	-	-
H38PR*I-2	34,000	32,000	5"/8"	9	17 1/2	1	1	0	32 1/2 X 24 3/4	TEMPERED	TRADITIONAL	◦	+	◦	-	-	-
HL38PR*I-2	34,000	32,000	5"/8"	9	17 1/2	1	1	0	32 1/2 X 24 3/4	TEMPERED	HW1157	◦	+	◦	-	-	-
H38CL*I-2	34,000	32,000	5"/8"	9	17 1/2	1	1	0	32 1/2 X 24 3/4	TEMPERED	TRADITIONAL	◦	+	◦	-	-	-
HL38CL*I-2	34,000	32,000	5"/8"	9	17 1/2	1	1	0	32 1/2 X 24 3/4	TEMPERED	HW1157	◦	+	◦	-	-	-
H38CR*I-2	34,000	32,000	5"/8"	9	17 1/2	1	1	0	32 1/2 X 24 3/4	TEMPERED	TRADITIONAL	◦	+	◦	-	-	-
HL38CR*I-2	34,000	32,000	5"/8"	9	17 1/2	1	1	0	32 1/2 X 24 3/4	TEMPERED	HW1157	◦	+	◦	-	-	-