

DIVINE / PROUDLY HANDCRAFTED IN NORTH AMERICA



# DIVINE

MULTI SIDED

## 180° OF BEAUTY

### DIVINE BAY CONTEMPORARY

### DIVINE BAY TRADITIONAL

## H38PR

BAY DIRECT VENT

#### Standard

- Contemporary burner with Ice fireglass
- Remote Hi-Lo flame
- Multi-function remote control
- Micro mesh screen
- Battery backup

#### Options

- Glass media
- Wall remote
- WiFi phone app control

#### Standard

- Traditional burner and logset
- Wrought iron grate
- Heritage brick liner
- Remote Hi-Lo flame
- Multi-function remote control

#### Options

- Micro mesh screen
- Battery backup
- Wall remote
- WiFi phone app control

### QUICK DIMENSIONS

H38PR		
	UNIT	FRAM.
F.WIDTH	42 <sup>13</sup> / <sub>16</sub>	41
B.WIDTH	42 <sup>13</sup> / <sub>16</sub>	41
HEIGHT	42 <sup>7</sup> / <sub>8</sub>	44
DEPTH	26 <sup>1</sup> / <sub>4</sub>	23 <sup>3</sup> / <sub>4</sub>
VIEWING	32 <sup>1</sup> / <sub>8</sub> x 24 <sup>3</sup> / <sub>4</sub>	

### BTU LISTING

**H38PRNI-2** / 34,000 BTU  
**H38PRLI-2** / 32,000 BTU

**HL38PRNI-2** / 34,000 BTU  
**HL38PRLI-2** / 32,000 BTU

### EFFICIENCY (FE)

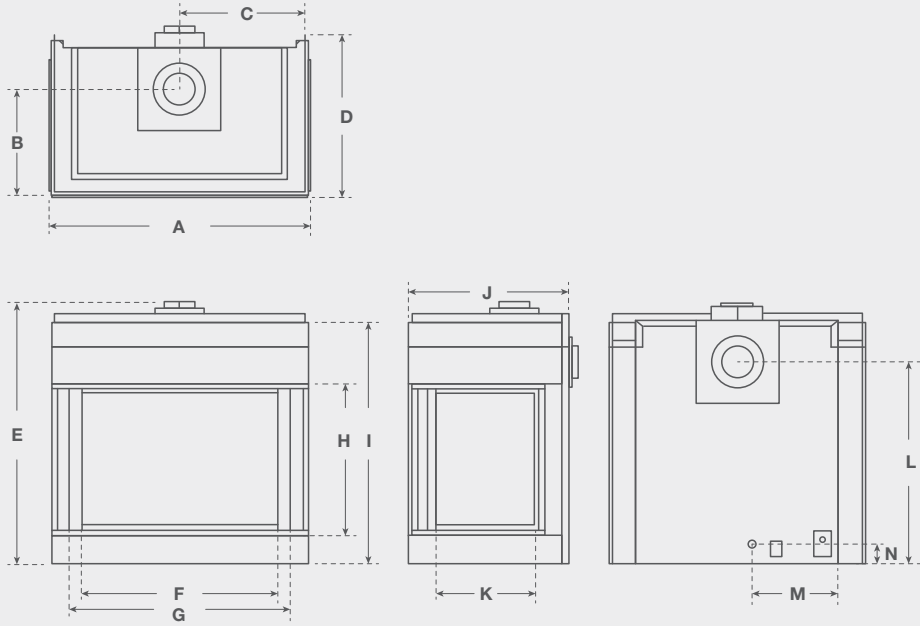
**H38PRNI-2** / 58.5%  
**H38PRLI-2** / 58.5%

**HL38PRNI-2** / 58.5%  
**HL38PRLI-2** / 58.5%

MONTIGO / DIVINE / H38PRNI-2 / TRADITIONAL LOGSET



## DIVINE BAY DIMENSIONS



	A	B	C	D	E	F	G	H	I	J	K	L	M	N
H38PRC	42 <sup>13</sup> / <sub>16</sub>	17 <sup>5</sup> / <sub>16</sub>	20 <sup>7</sup> / <sub>16</sub>	26 <sup>5</sup> / <sub>16</sub>	42 <sup>7</sup> / <sub>16</sub>	32 <sup>1</sup> / <sub>8</sub>	36 <sup>3</sup> / <sub>16</sub>	24 <sup>3</sup> / <sub>4</sub>	39 <sup>9</sup> / <sub>16</sub>	26 <sup>1</sup> / <sub>4</sub>	16 <sup>5</sup> / <sub>16</sub>	33 <sup>3</sup> / <sub>16</sub>	14 <sup>3</sup> / <sub>16</sub>	3 <sup>3</sup> / <sub>16</sub>



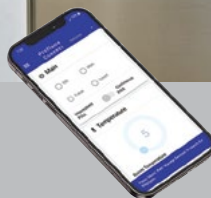
OPTIONS & FEATURES



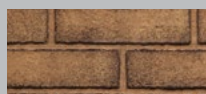
REMOTE<sup>A</sup>  
RX200\*\*



WALL REMOTE  
EC1550



WiFi PHONE APP  
CONTROL  
SIT-WIFI<sup>†</sup>



HERITAGE<sup>†</sup>

<sup>A</sup> Standard on all bay units

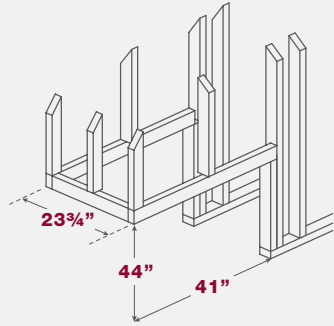
<sup>†</sup> Standard on H38PR<sup>†</sup>-1-2

# Unit Specifications

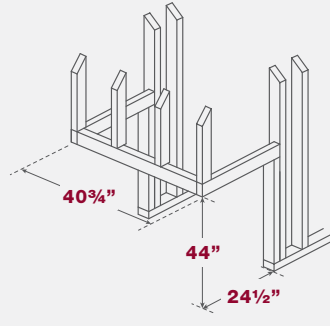
## ICON LEGEND

AVAILABLE	+	NOT AVAILABLE	-
DEDICATED	◊	STANDARD	◦

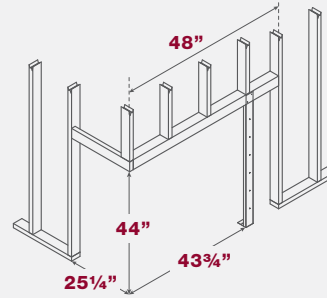
### PIER FRAMING



### BAY FRAMING



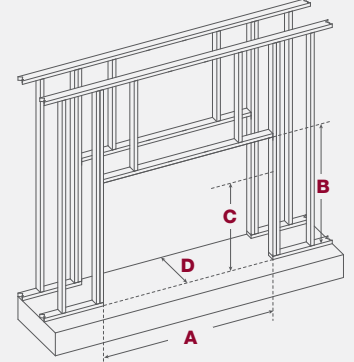
### CORNER FRAMING



NON COMBUSTIBLE STUD INCLUDED WITH UNIT

Approximate dimensions to center. For best results mount noncombustible stud onto unit, then bolt to 2x4 header and floor.

### SEE THROUGH FRAMING



	A	B	C	D
H38FSD	40 3/4"	42 1/2"	N/A	23 3/4"
H42FSD	45"	49 1/2"	46 1/2"	24"

NON COMBUSTIBLE STUD INCLUDED WITH UNIT - NOT NEEDED FOR H38FSD

	BTU NATURAL GAS	BTU LIQUID PROPANE	VENTING	CLEARANCE TOP - REAR VENT	CLEARANCE TOP - TOP VENT	CLEARANCE SIDES	CLEARANCE BACK	CLEARANCE FLOOR	FRONT VIEWING AREA	FRONT GLASS TYPE	STANDARD MEDIA	MICRO MESH	POWERVENT	REMOTE CONTROL	FANS	UPLIGHTING	DOWNLIGHTING
H38FSD*	34,000	32,000	5"/8"	9	17 1/2	1	2	0	35 3/4 X 26 3/8	HIGH TEMPERATURE	TRADITIONAL	◦	+	+	+	-	-
H38FSD*I	34,000	32,000	5"/8"	9	17 1/2	1	2	0	35 3/4 X 26 3/8	HIGH TEMPERATURE	TRADITIONAL	◦	+	+	+	-	-
H42FSD*	37,000	37,000	5"/8"	9	17 1/2	1	2	0	39 3/8 X 30 3/8	HIGH TEMPERATURE	TRADITIONAL	◦	+	+	+	-	-
H42FSD*I	37,000	37,000	5"/8"	9	17 1/2	1	1	0	39 3/8 X 30 3/8	HIGH TEMPERATURE	TRADITIONAL	◦	+	+	+	-	-
H38PF*I-2	34,000	32,000	5"/8"	9	17 1/2	1	1	0	32 1/2 X 21 3/8	HIGH TEMPERATURE	TRADITIONAL	◦	+	◦	-	-	-
HL38PF*I-2	34,000	32,000	5"/8"	9	17 1/2	1	1	0	32 1/2 X 21 3/8	HIGH TEMPERATURE	HW1157	◦	+	◦	-	-	-
H38PR*I-2	34,000	32,000	5"/8"	9	17 1/2	1	1	0	32 1/2 X 24 3/4	HIGH TEMPERATURE	TRADITIONAL	◦	+	◦	-	-	-
HL38PR*I-2	34,000	32,000	5"/8"	9	17 1/2	1	1	0	32 1/2 X 24 3/4	HIGH TEMPERATURE	HW1157	◦	+	◦	-	-	-
H38CL*I-2	34,000	32,000	5"/8"	9	17 1/2	1	1	0	32 1/2 X 24 3/4	HIGH TEMPERATURE	TRADITIONAL	◦	+	◦	-	-	-
HL38CL*I-2	34,000	32,000	5"/8"	9	17 1/2	1	1	0	32 1/2 X 24 3/4	HIGH TEMPERATURE	HW1157	◦	+	◦	-	-	-
H38CR*I-2	34,000	32,000	5"/8"	9	17 1/2	1	1	0	32 1/2 X 24 3/4	HIGH TEMPERATURE	TRADITIONAL	◦	+	◦	-	-	-
HL38CR*I-2	34,000	32,000	5"/8"	9	17 1/2	1	1	0	32 1/2 X 24 3/4	HIGH TEMPERATURE	HW1157	◦	+	◦	-	-	-