



DIVINE

SINGLE SIDED

SPECIFICATIONS AND FEATURES

H34, HLB34, HLB34 Deluxe

Single sided
Direct vent

QUICK DIMENSIONS

H*34	UNIT FRAM.	
F.WIDTH	35 ³ / ₈	33 ³ / ₈
B.WIDTH	35 ³ / ₈	33 ³ / ₈
HEIGHT	35 ¹ / ₂	39
DEPTH	19 ¹ / ₄	20
VIEWING	31 ³ / ₈ × 22 ³ / ₄	

H34 TRADITIONAL

Standard

Traditional burner and logset

Options

Various traditional liners

River rock kit [NG only]

Fans with speed control

Surrounds in satin black or stainless steel

Full function remote control for flame modulation

HLB34 CONTEMPORARY

Standard

Concealed burner with Sage firebeads

Options

Speckled stones, driftwood

Full function remote control for flame modulation

Fans with speed control

Reflective glass panels

Surrounds in satin black or stainless steel

HLB34-2 DELUXE CONTEMPORARY

Standard

Concealed burner

Speckled stones, driftwood

Full function remote control for flame modulation

Fans with speed control

Black glass liner

Options

Surrounds in satin black or stainless steel

BTU LISTING

H34DF** / 18,000
HLB34DF** / 18,000
HLB34DF**-2 / 18,000

EFFICIENCY

H34DFN / FE 56.5
H34DFL / FE 58

H34DFNI / FE 58
H34DFLI / FE 58

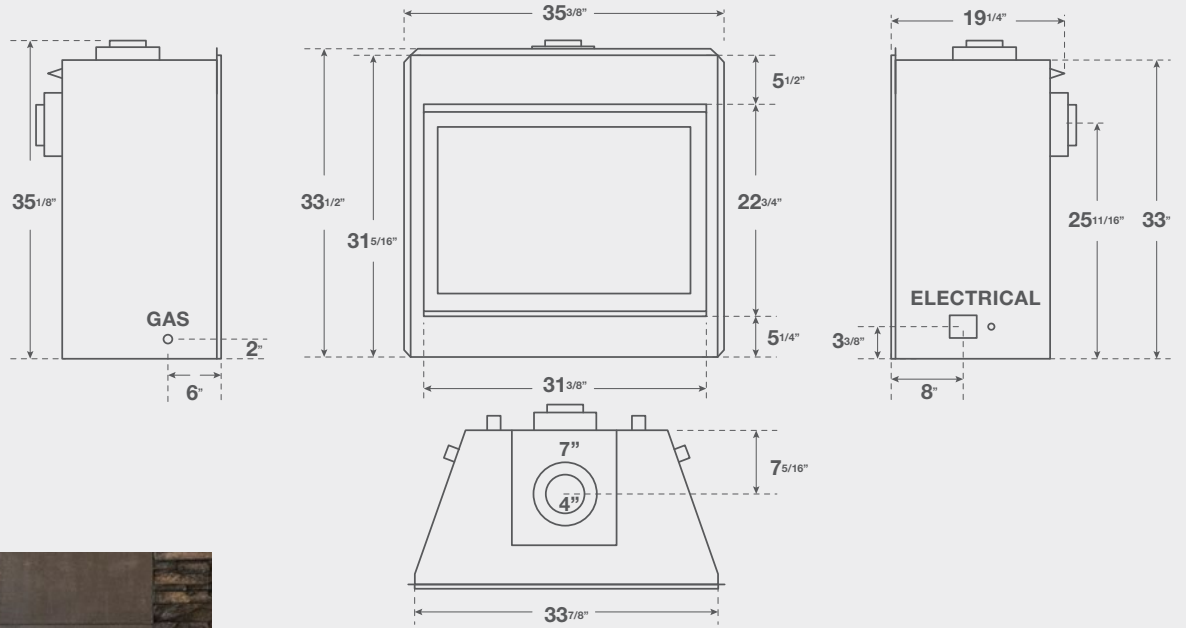
HLB34DFNI / FE 50
HLB34DFLI / FE 50

HLB34DFNI-2 / FE 50
HLB34DFLI-2 / FE 50

H34 / STAINLESS SURROUND

HLB34 / SATIN BLACK SURROUND

H34 DIMENSIONS



MONTIGO / DIVINE / HLB34DFN1-2 / DRIFTWOOD SPECKLED STONES



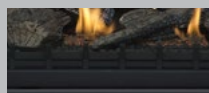
MONTIGO / DIVINE / H34DFN / TRADITIONAL LOGSET



REMOTE[†]
RX200**



WALL REMOTE
REC1493



IRON GRATE[†]
HWIG34

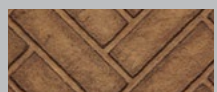


RIVER ROCK[†]
RBHR34R

† Optional for H34 only
‡ Optional for HLB34 only
▲ Standard on HLB34DF1-2

OPTIONS & FEATURES

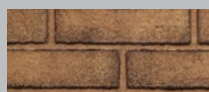
LINERS



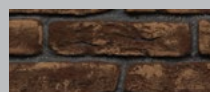
HERRING BONE[†]
HBK34H



COLONIAL[†]
HBK34C



HERITAGE[†]
HBK34R



RUSTIC BROWN[†]
HBK34R



RUSTIC RED[†]
HBK34R



BLACK GLASS^{†▲}
RGPH34

Unit Specifications

Icon Legend

AVAILABLE +

NOT AVAILABLE -

DEDICATED ◊

STANDARD ○

	BTU Natural Gas	BTU Liquid Propane	Venting	Clearance Top - Rear vent	Clearance Top - Top vent	Clearance Sides	Clearance Back	Clearance Floor	Front viewing area	Front glass type	Standard media	Invisimesh screen	Powervent	Remote control	Fans	Uplighting	Downlighting
H34DF*	18,000	18,000	4"/7"	9	17½	1	2	0	31⅜x22¾	Tempered	Traditional	○	+	○	○	-	-
HLB34DF*	18,000	18,000	4"/7"	11	17½	1	2	0	31⅜x22¾	Tempered	HW1082	○	+	+	+	-	-
HLB34DF*-2	18,000	18,000	4"/7"	11	17½	1	2	0	31⅜x22¾	Tempered	Speckled	○	+	○	○	-	-
H38DF*	26,000	26,000	5"/8"	9	17½	1	2	0	35¼x26⅜	Tempered	Traditional	○	+	+	+	-	-
HL38DF	26,000	26,000	5"/8"	9	17½	1	2	0	35¼x26⅜	Tempered	HW1082	○	+	+	+	-	-
HW38DF	34,000	30,000	5"/8"	9	17½	1	3	0	35¼x26⅜	Neoceramic	Wildfire	○	+	○	+	-	-
H42DF*	34,000	32,000	5"/8"	9	17½	1	1	0	39⅞x30⅞	Tempered	Traditional	○	+	+	+	-	-
HL42DF	34,000	32,000	5"/8"	9	17½	1	1	0	39⅞x30⅞	Tempered	HW1082	○	+	+	+	-	-
HW42DF	34,000	32,000	5"/8"	9	17½	1	1	0	39⅞x30⅞	Tempered	Wildfire	○	+	○	+	-	-
H36PV	55,000	N/A	5"/8"	9	17½	1	1	0	38½x31½	Tempered	Traditional	○	◊	+	-	-	-

DIVINE FRAMING

	A	B	C	D	E	F
H34	39	20	33⅞	40	56¼	0
H36	50	24	46	61¼	81	1
H38	42	21⅞	33⅞	43⅞	62	0
H42	46½	21⅞	42	48⅞	68	0

See instruction manual for detailed instructions

Header on edge not required if framing meets clearance to venting

FRAMING DIMENSIONS

