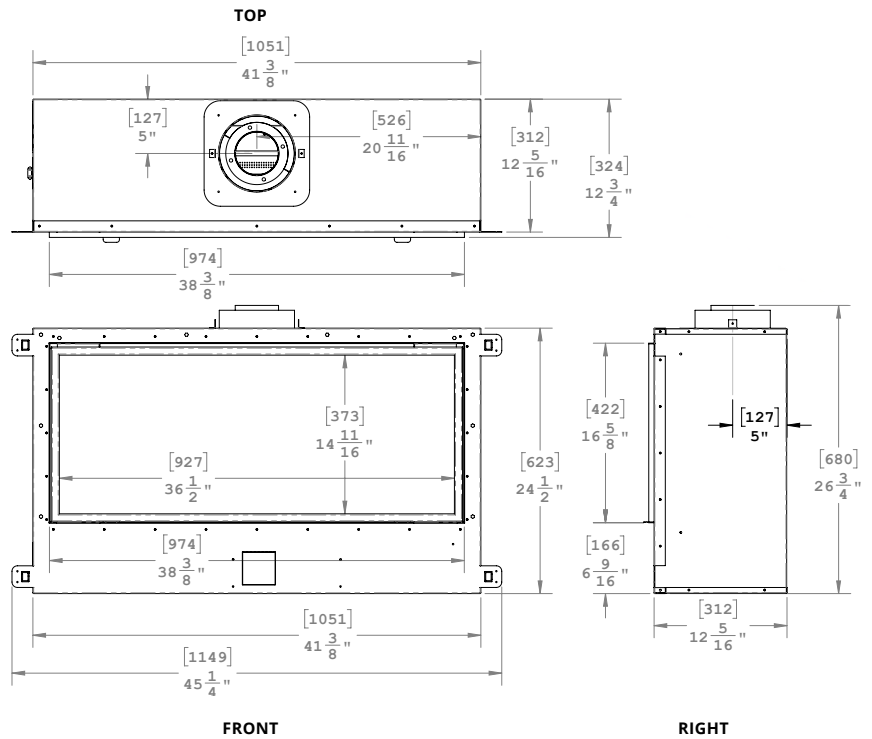


**LINEAR GAS FIREPLACE**

**DIMENSIONS**

PART	ACTUAL	FRAMING
FRONT WIDTH	45 1/4"	43 3/8"
BACK WIDTH	41 3/8"	43 3/8"
HEIGHT	24 1/2"	33 11/16"
DEPTH	12 3/4"	14 1/4"
VIEWING AREA	36 1/2" X 14 11/16"	N/A



**FEATURES**

- 14 1/4" Framing Depth
- Montigo 4<sup>TH</sup> generation 16,000 BTU/HR concealed linear burner
- Standard 4/7 direct vent
- Field convertible to propane with optional conversion kit

**TECHNICAL SPECIFICATIONS**

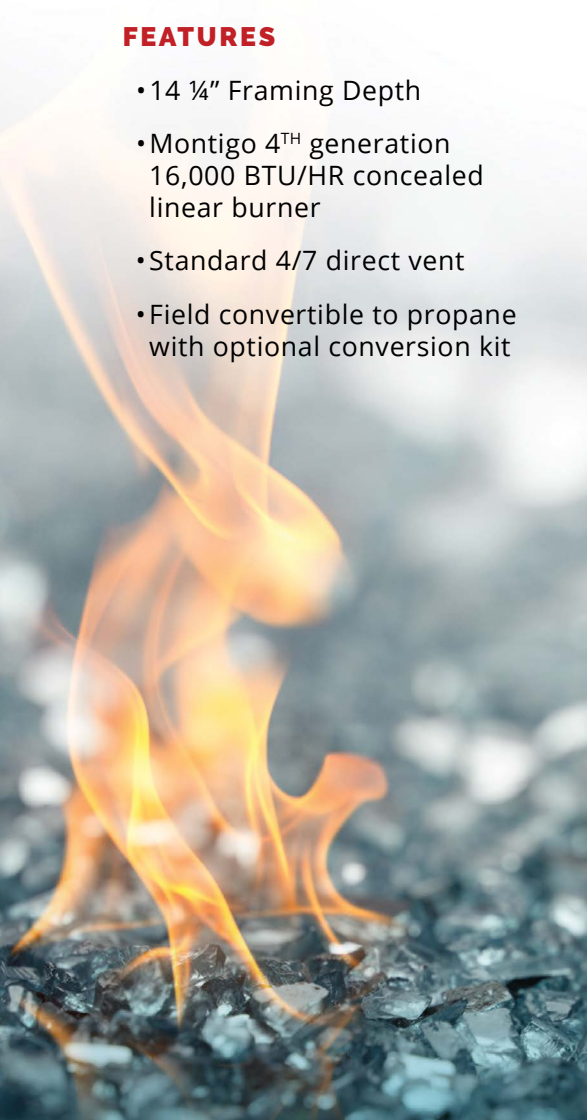
**DRL3613NI standard with:**

- Proflame 2 BASIC control system
- 16,000 BTU/HR Montigo linear concealed burner
- Ice fireglass media
- Cement board facing kit

**DRL3613NI Options:**

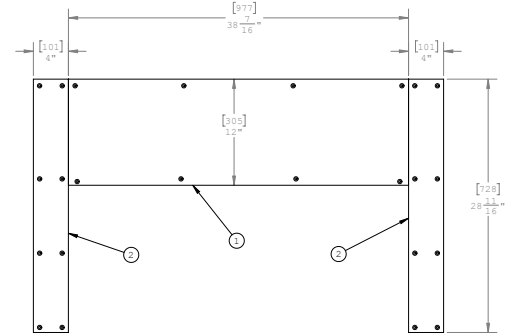
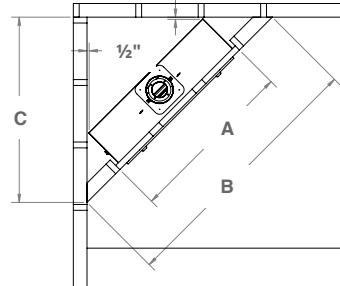
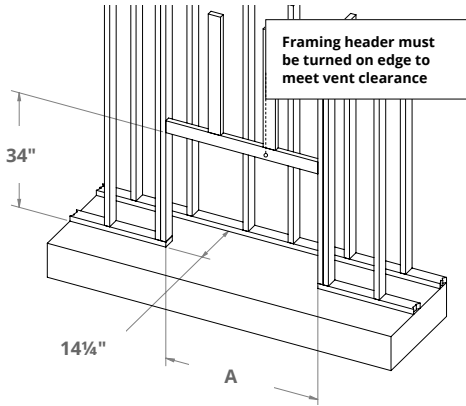
- Wireless remote control
- Field convertible to propane with optional conversion kit
- 5' flex and termination kit

Efficiency listing	
MODEL	P.4. 1-15 Efficiency†
DRL3615N	71%
DRL3615L	71%



LINEAR GAS FIREPLACE

FRAMING SPECIFICATIONS



DRL3613 DIMENSIONS

A	B	C
43 <sup>3</sup> / <sub>8</sub>	67 <sup>1</sup> / <sub>8</sub>	47 <sup>1</sup> / <sub>2</sub>



CLEARANCE SPECIFICATIONS

- Sides: 1"
- Back: 2"
- Top : 21"
- Floor: 0"
- Facing Material: Cement board (Supplied)
- Cement Board Dimensions:
  - Top 38<sup>7</sup>/<sub>16</sub> x 12 (Qty 1)
  - Sides 4 x 28<sup>11</sup>/<sub>16</sub> (Qty 2)



The perfect  
combination of  
performance  
and design