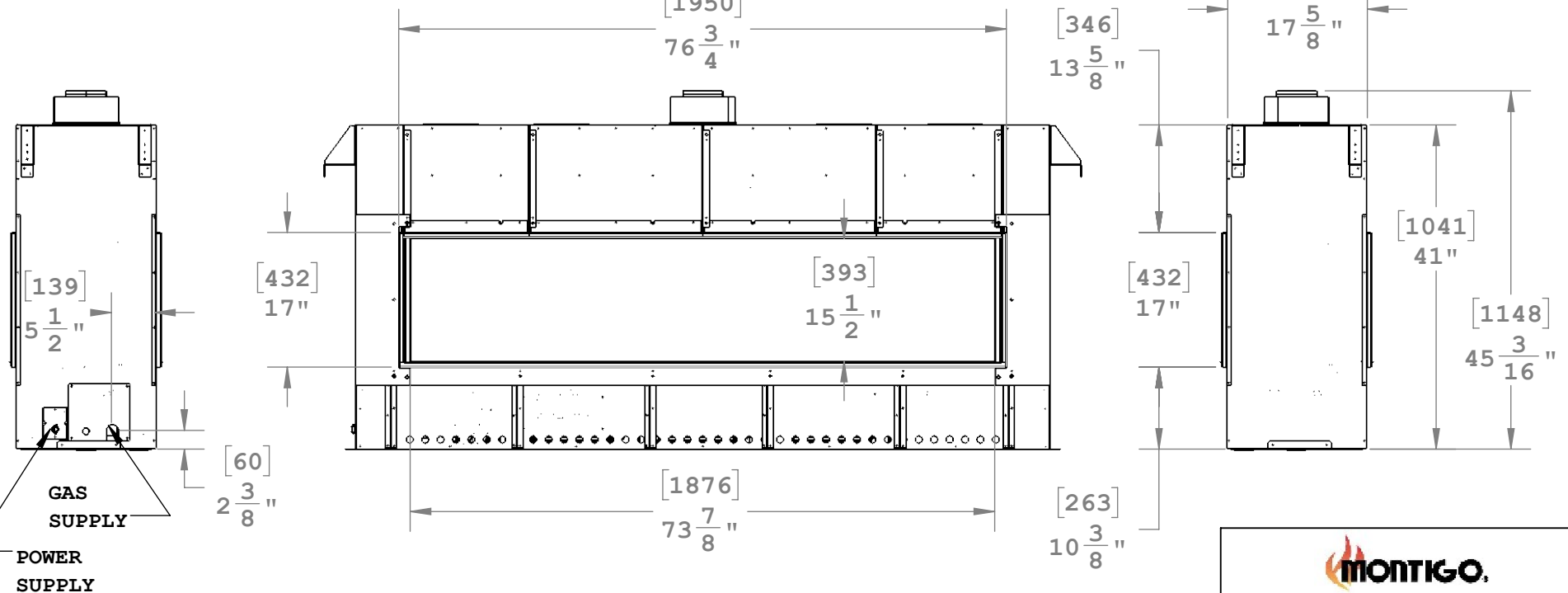
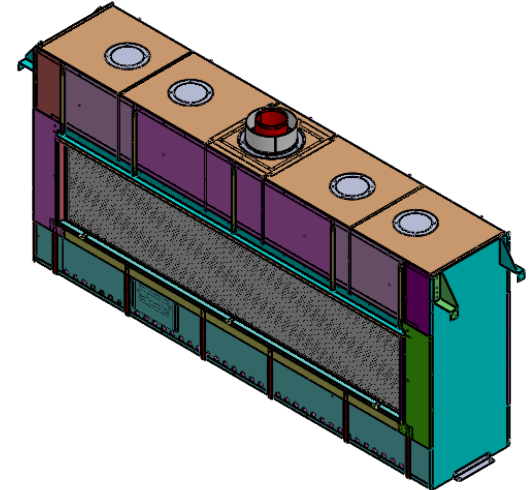
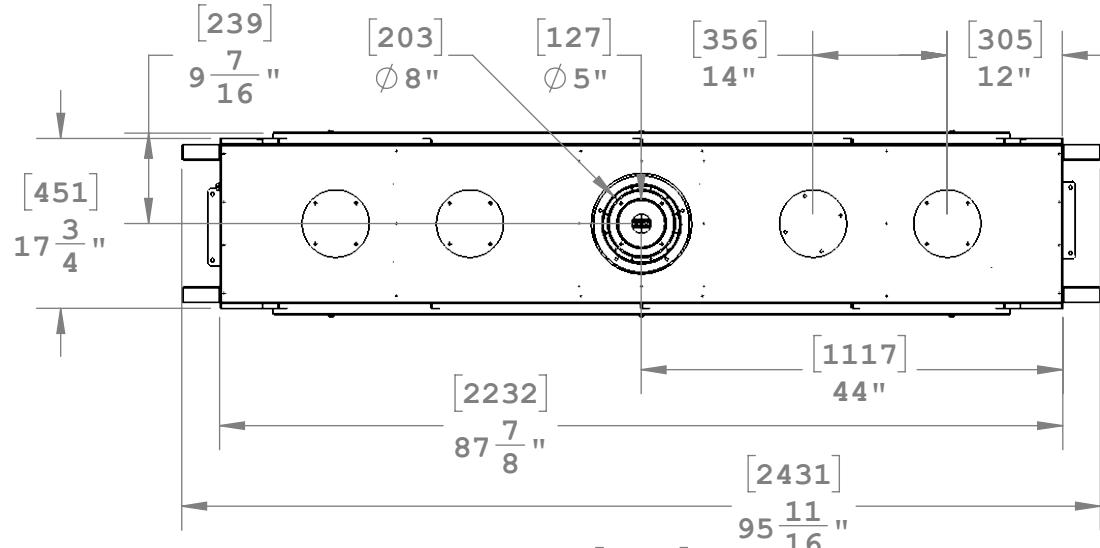


PROPRIETARY AND CONFIDENTIAL



REVISIONS			
REV.	DESCRIPTION	DATE	CHANGED BY
-	-	-	-

DIMENSIONS ARE IN INCHES  
 TOLERANCES:  
 FRACTIONAL ± 1/32"  
 TWO PLACE DECIMAL ± .015"  
 THREE PLACE DECIMAL ± .005"  
 ANGULAR ± .5°  
 ALL BENDS ARE ASSUMED  
 TO BE 90° UNLESS NOTED  
 OTHERWISE.

NAME	DATE
DM	4/13/2018
Drawn by	
Revision / Date	
Revision	
Finish	

**MONTIGO.**

Description	D72ST - FULL ASSEMBLY
DWG. NO.	D72ST - FULL ASSEMBLY
MATERIAL	
SCALE 1:32	WEIGHT:
SHEET 2 OF 2	

THE INFORMATION CONTAINED IN THIS DRAWING IS THE SOLE PROPERTY OF CANADIAN HEATING PRODUCTS. ANY REPRODUCTION IN PART OR AS A WHOLE WITHOUT THE WRITTEN PERMISSION OF CANADIAN HEATING PRODUCTS IS PROHIBITED.

Y:\Products\Residential Products\R&D Projects\DL72ST\Cad Drawings\DL72ST-Full Assembly Wednesday, June 17, 2020 11:53:14 AM