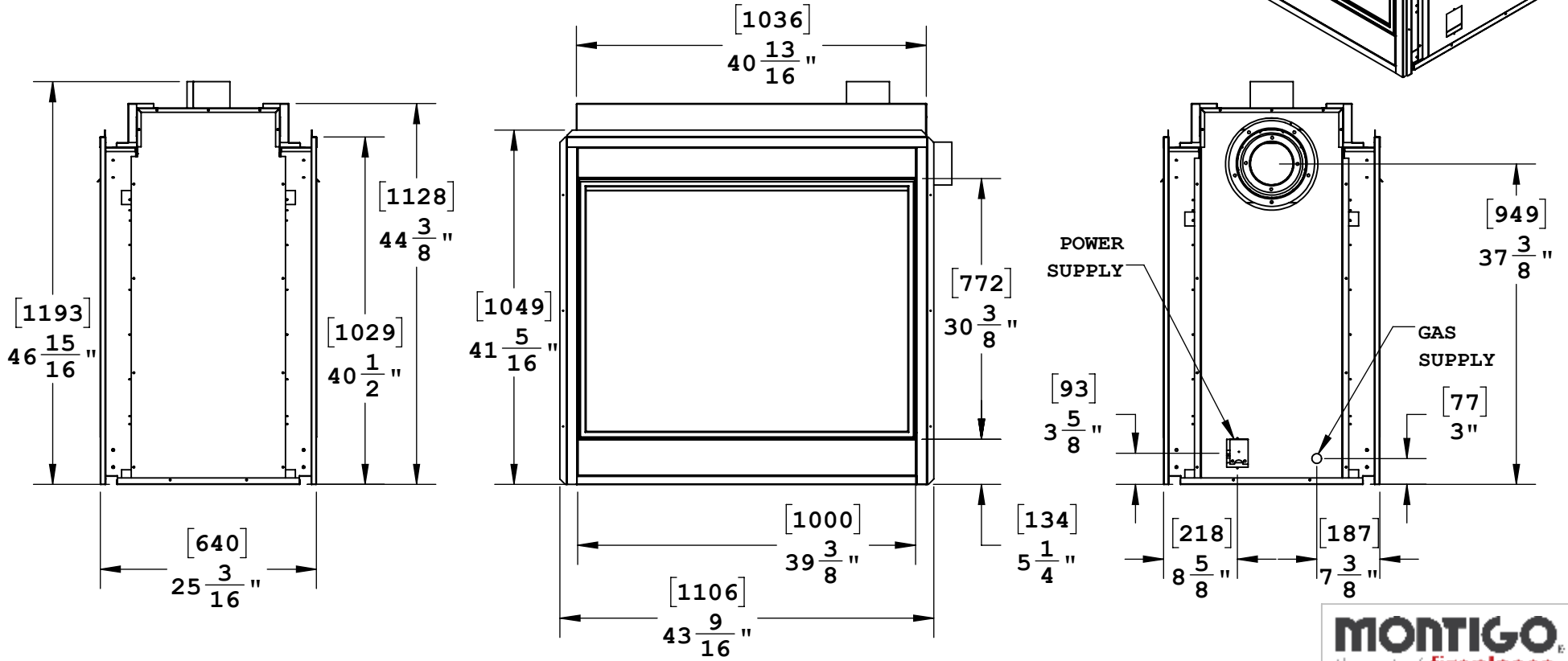
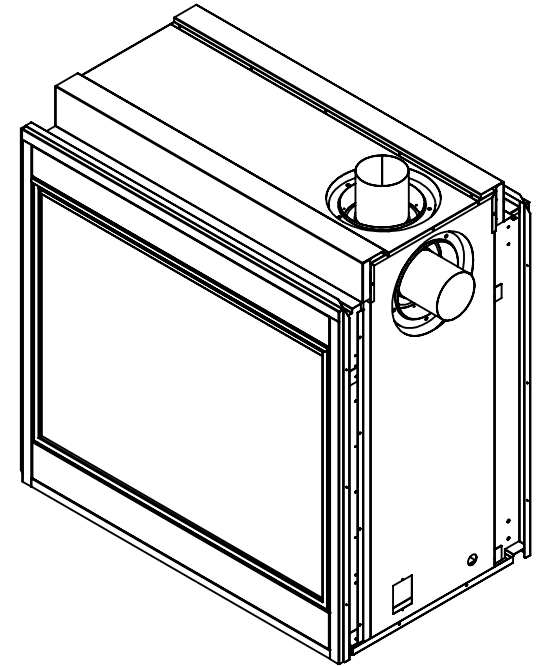
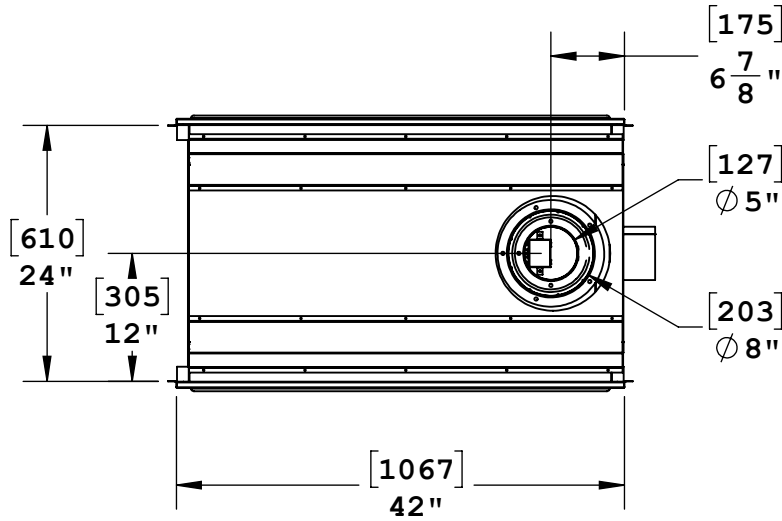


PROPRIETARY AND CONFIDENTIAL



DIMENSIONS TOLERANCES ARE IN:
 METRIC - MM ± 1.6 MM
 IMPERIAL - FRACTIONAL $\pm 1/16$ "

MONTIGO
 the art of fireplaces

H42DF-ST

DATE: December 8, 2017