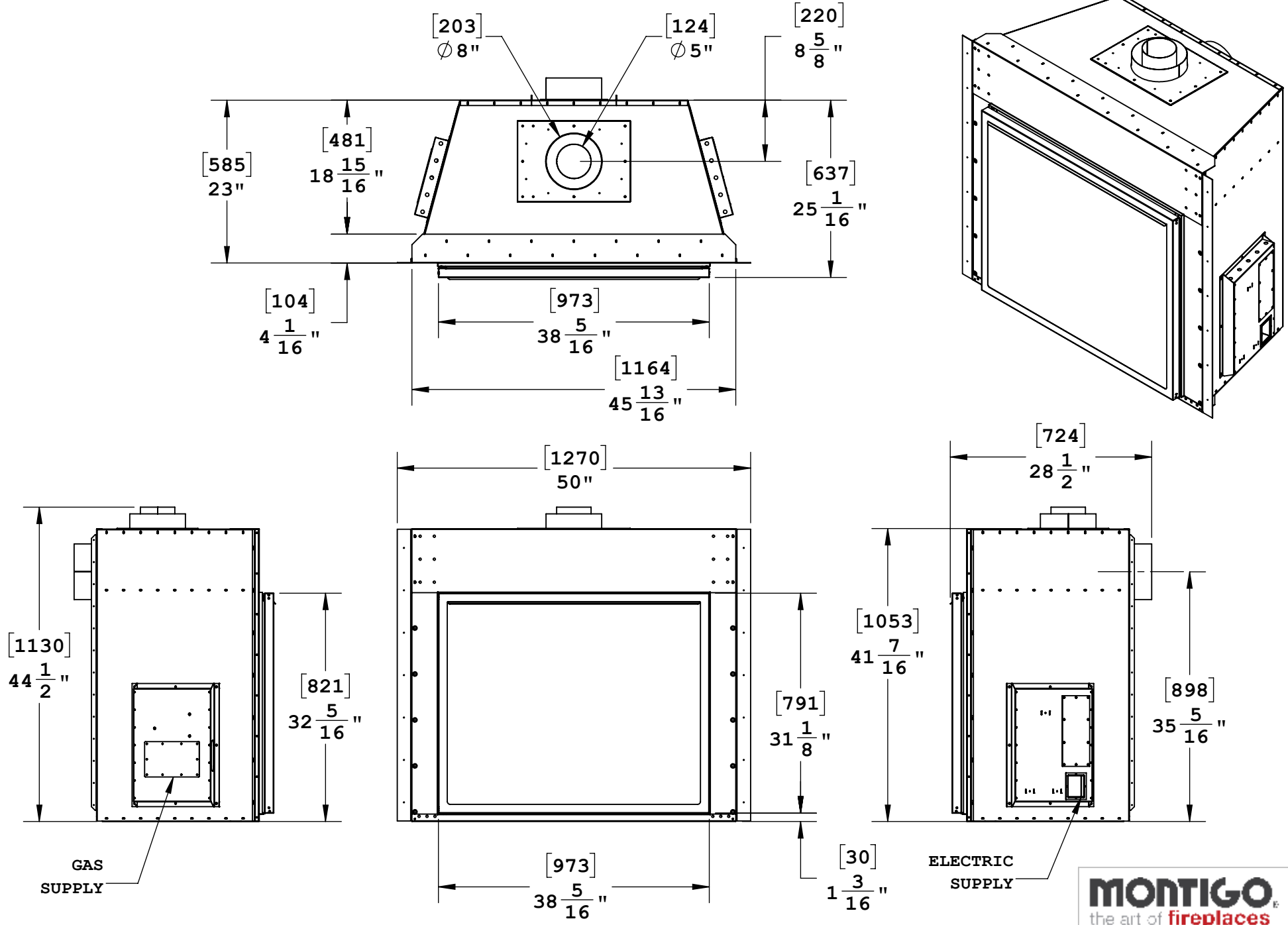


PROPRIETARY AND CONFIDENTIAL



DIMENSIONS TOLERANCES ARE IN:
 METRIC - MM ± 1.6 MM
 IMPERIAL - FRACTIONAL $\pm 1/16''$

MONTIGO
 the art of fireplaces

H36PV

DATE: November 24, 2017