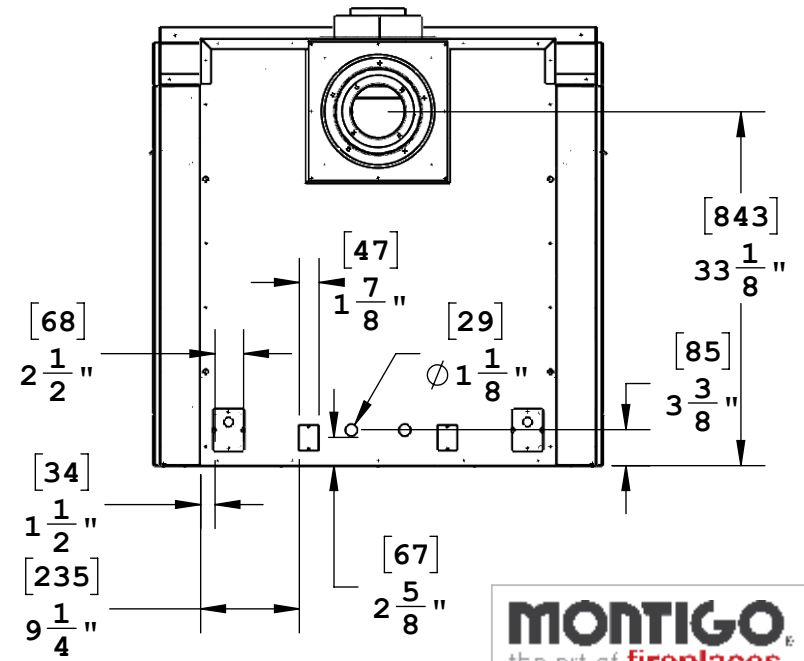
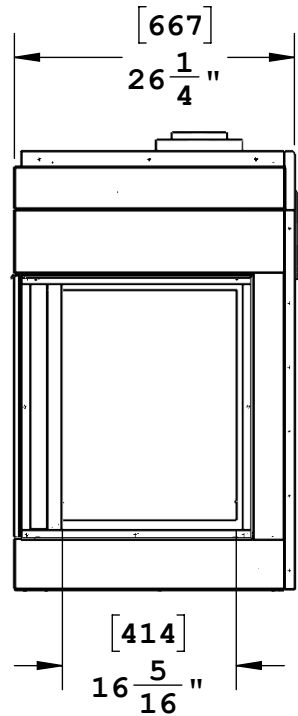
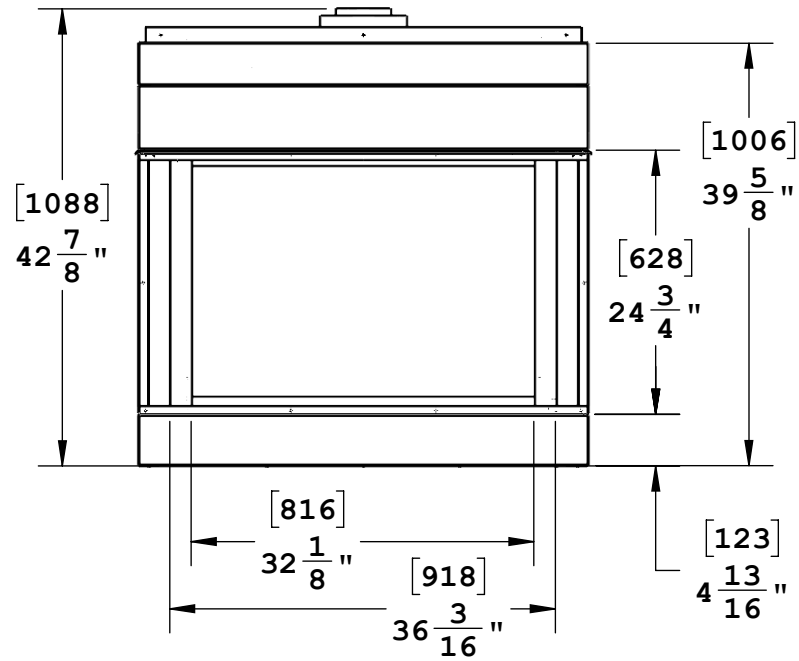
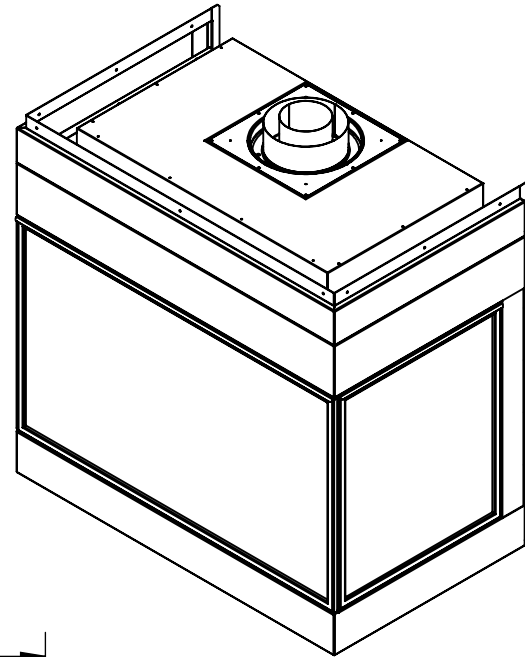
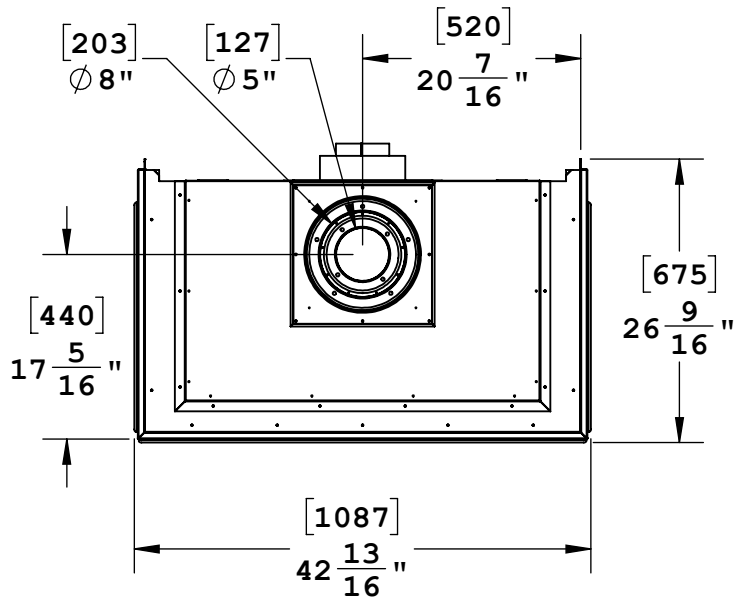


PROPRIETARY AND CONFIDENTIAL



DIMENSIONS TOLERANCES ARE IN:
 METRIC - MM ± 1.6 MM
 IMPERIAL - FRACTIONAL $\pm 1/16''$

MONTIGO
 the art of fireplaces

H38DF-PRC / HL38DF-PRC

DATE: November 30, 2017