

Finishing a COOL-Pack Equipped Montigo Fireplace

Finishing Around a Montigo Fireplace

The following pages provide finishing options for your Montigo fireplace equipped with the **COOL-Pack** option.

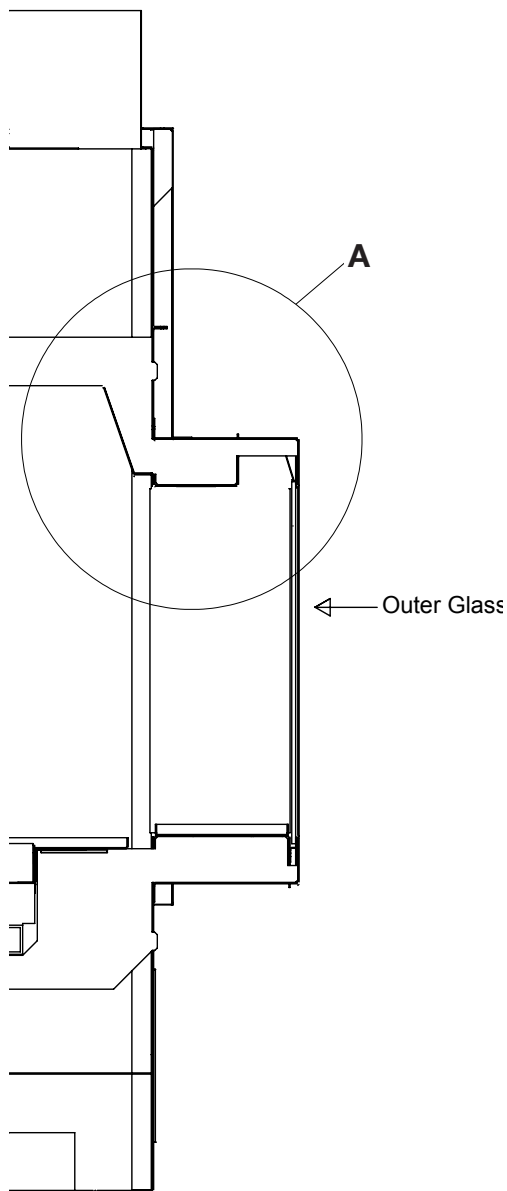


FIGURE 1: Typical Montigo Fireplace Cross Section. See following figures for enlarged finishing detail of "A"

Finishing with a NON-Combustible Material

If the finish for the **COOL-Pack** equipped fireplace will be of a non-combustible material, such as stone or tile, please refer to Figure 2.

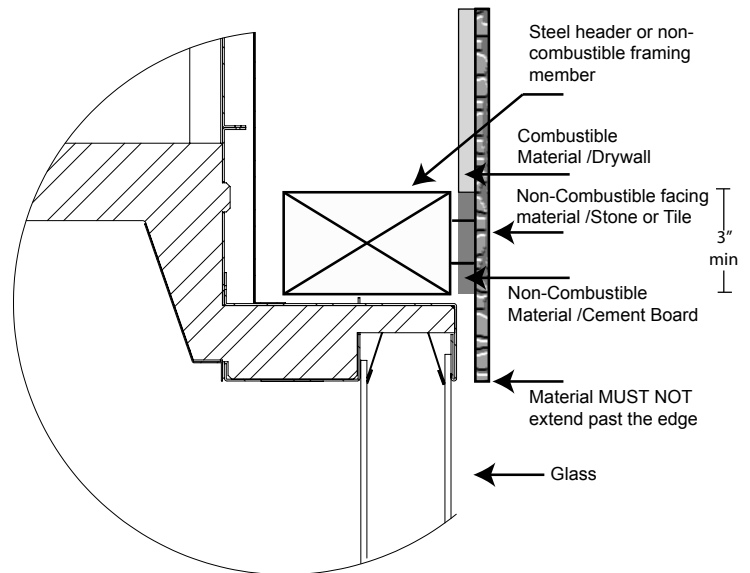


FIGURE 2: Detail of A - Finishing with Non-Combustible

Finishing With a Combustible Material

If the finish for the **COOL-Pack** equipped fireplace will be of a combustible material such as wood laminate, please refer to Figure 3.

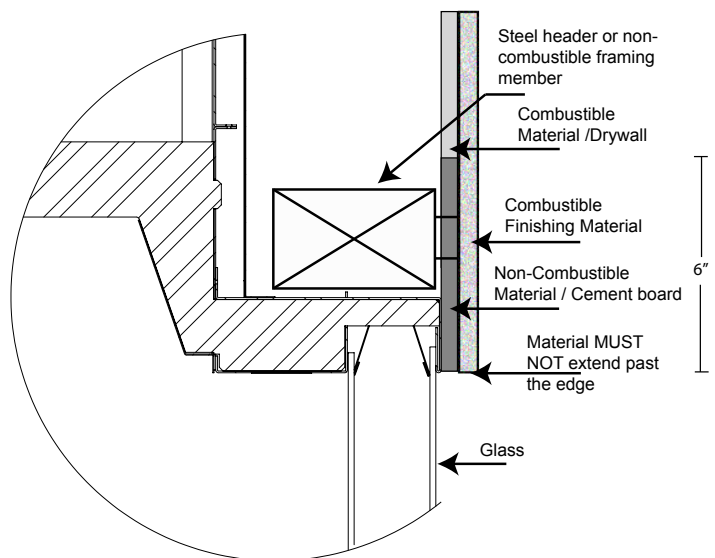


FIGURE 3: Detail of A - Finishing with Combustible

Finishing a COOL-Pack Equipped Montigo Fireplace

Finishing with a Painted Finish

If the finish for the **COOL-Pack** equipped fireplace will be a painted finish, please refer to Figure 4.

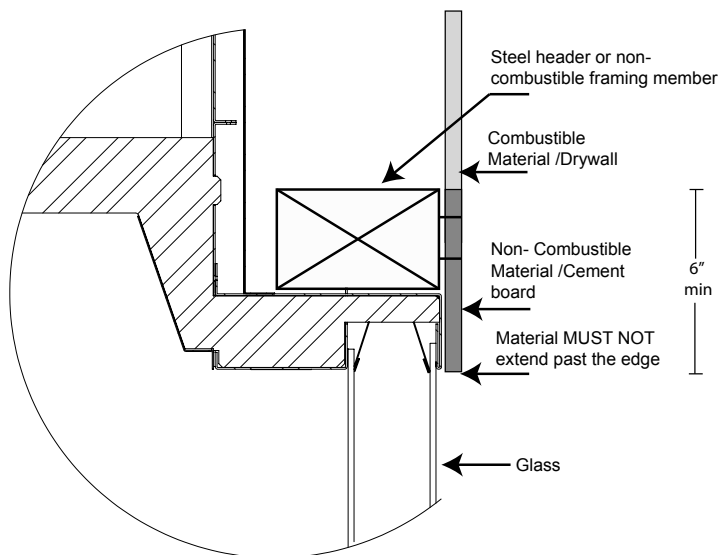


FIGURE 4: Detail of A - Finishing with painted finish

Finishing: Mantels and Surrounds

Combustible mantels may safely be installed over the fireplace provided that they do not project beyond the shaded area shown in Figure 5:

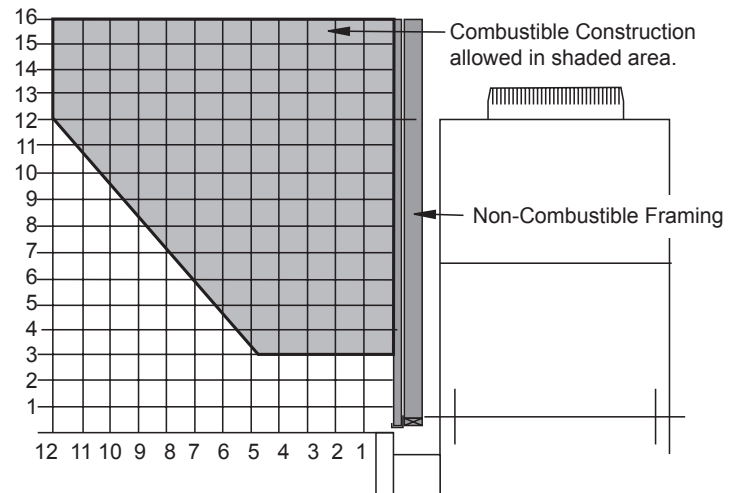


FIGURE 5: Combustible Mantel Clearances

A Note on Mantels & Surrounds

National Canadian Gas Association mantel test requirements are for fire hazard prevention to combustible materials.

New technology, to meet consumer and government demands for the wise use of energy, has prompted us to manufacture many models of fireplaces which are hot, fuel and energy efficient.

Please be aware; temperatures over the mantel will rise above normal room temperature and walls above the fireplace may be hot to touch.

We recommend careful consideration be given to the effects of elevated mantel temperatures which may be in excess of product design, for example: candles, plastic, or pictures. This elevated heat can cause melting, deformation, discoloration or premature failure of a TV and radio components.