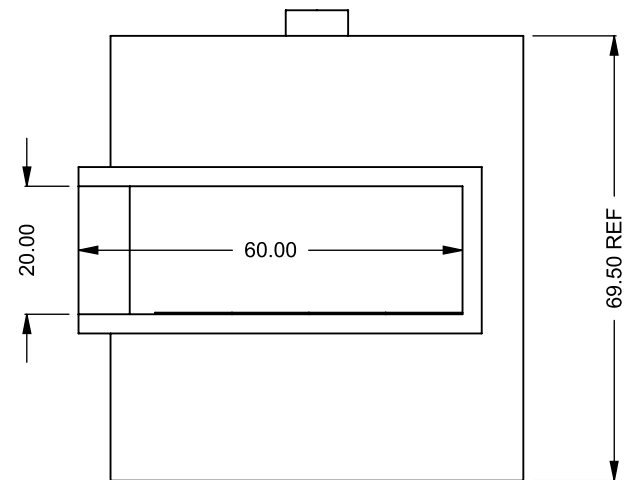
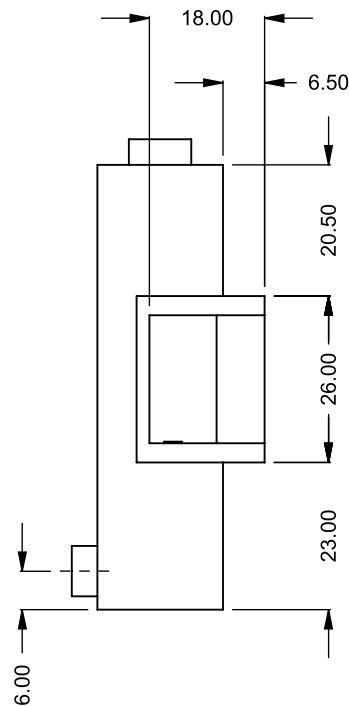
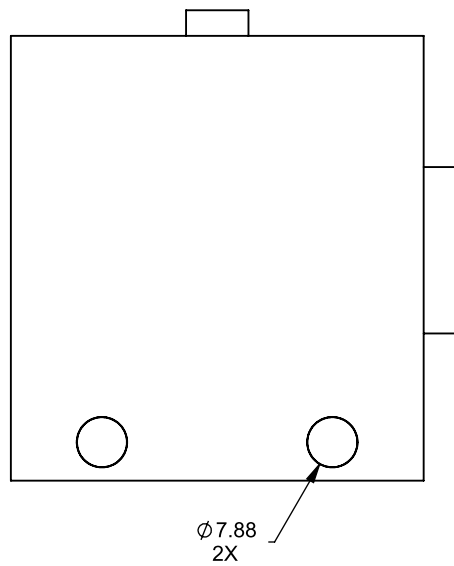
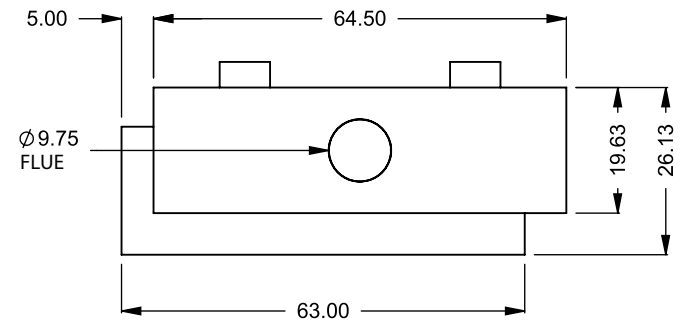
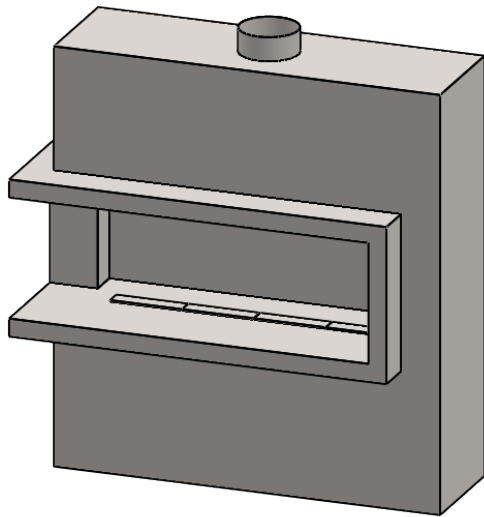


**C520CL**  
Power COOL-Pack  
**Bottom Intake**

**PRELIMINARY  
DRAWING ONLY** 

| EXAMPLE CONFIGURATION  | UNLESS OTHERWISE SPECIFIED                                    | DATE       |
|--|---|------------|
| MONTIGO COMMERCIAL FIREPLACES ARE CUSTOM BUILT FOR EACH PROJECT. THIS DRAWING IS FOR REFERENCE ONLY.<br><br>FLUE AND AIR INTAKE SIZES ARE SUBJECT TO CHANGE DEPENDING ON VENT RUN. | DIMENSIONS ARE IN INCHES<br>TOLERANCES: FRACTIONAL $\pm 1/8"$ | 15/10/2020 |

**MONTIGO**  
the art of **fireplaces**  
www.montigo.com

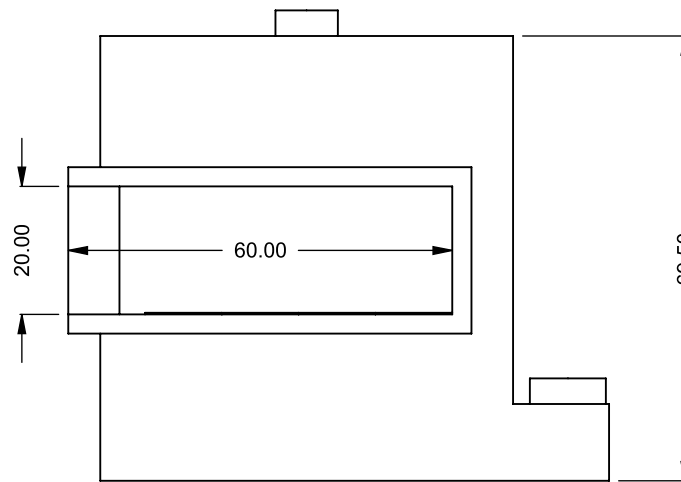
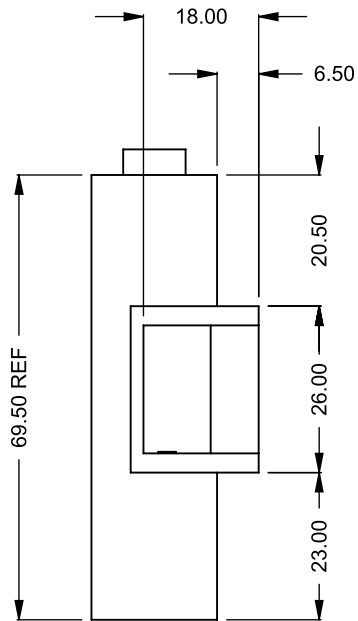
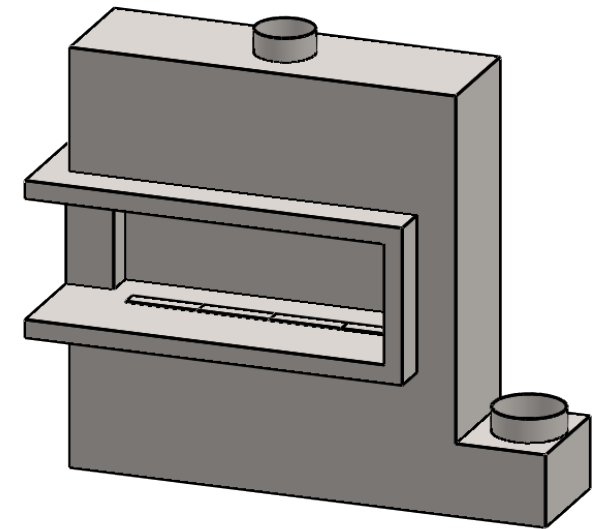
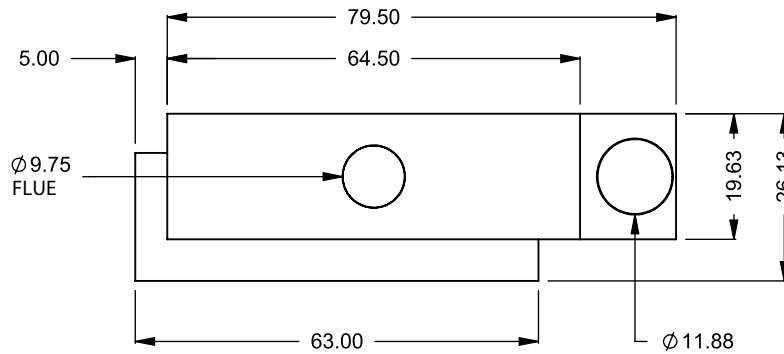


**C520CL**  
Power COOL-Pack  
Rear Intake

**PRELIMINARY  
DRAWING ONLY** 

| EXAMPLE CONFIGURATION   | UNLESS OTHERWISE SPECIFIED   | DATE              |
|---|--|-------------------|
| <p>MONTIGO COMMERCIAL FIREPLACES ARE CUSTOM BUILT FOR EACH PROJECT. THIS DRAWING IS FOR REFERENCE ONLY.</p> <p>FLUE AND AIR INTAKE SIZES ARE SUBJECT TO CHANGE DEPENDING ON VENT RUN.</p> | <p>DIMENSIONS ARE IN INCHES<br/>TOLERANCES: FRACTIONAL <math>\pm 1/8"</math></p> | <p>15/10/2020</p> |

**MONTIGO**  
the art of **fireplaces**  
www.montigo.com

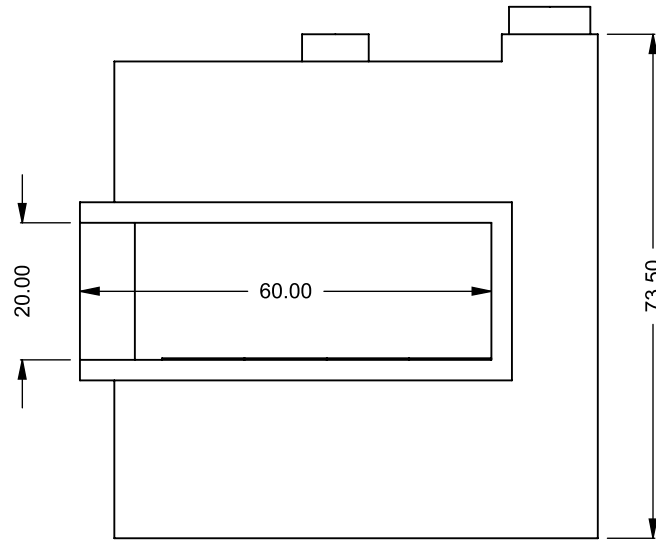
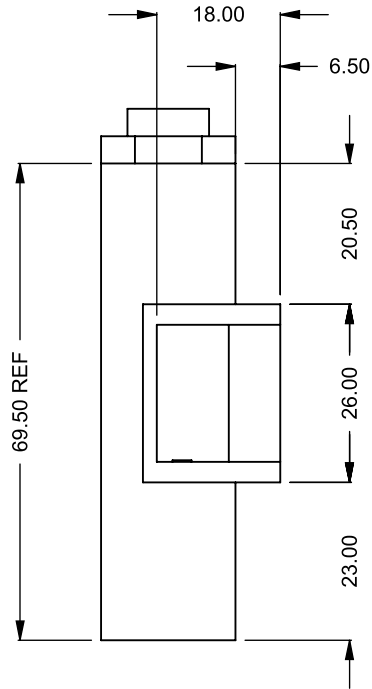
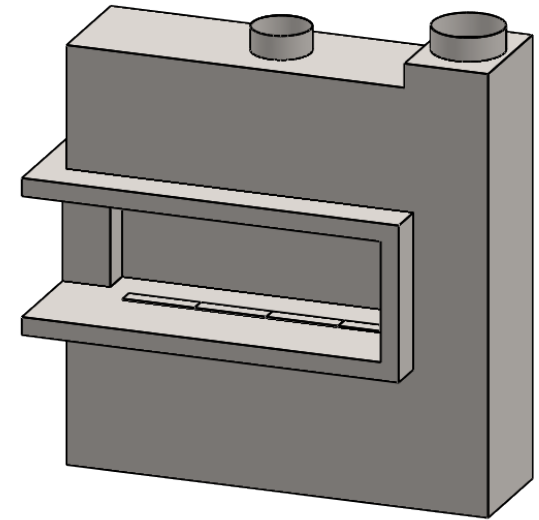
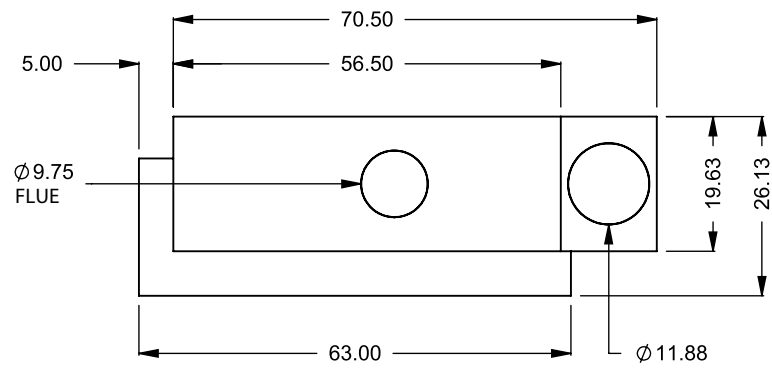


**C520CL**  
 Power COOL-Pack  
 One Side Right Intake

**PRELIMINARY  
 DRAWING ONLY**

| EXAMPLE CONFIGURATION  | UNLESS OTHERWISE SPECIFIED                                    | DATE       |
|--|---|------------|
| MONTIGO COMMERCIAL FIREPLACES ARE CUSTOM BUILT FOR EACH PROJECT. THIS DRAWING IS FOR REFERENCE ONLY.<br><br>FLUE AND AIR INTAKE SIZES ARE SUBJECT TO CHANGE DEPENDING ON VENT RUN. | DIMENSIONS ARE IN INCHES<br>TOLERANCES: FRACTIONAL $\pm 1/8"$ | 15/10/2020 |

**MONTIGO**  
 the art of fireplaces®  
 www.montigo.com



**C520CL**  
 Power COOL-Pack  
 Top One Side Right Intake

**PRELIMINARY  
 DRAWING ONLY** 

| EXAMPLE CONFIGURATION  | UNLESS OTHERWISE SPECIFIED                                | DATE       |
|--|---|------------|
| MONTIGO COMMERCIAL FIREPLACES ARE CUSTOM BUILT FOR EACH PROJECT. THIS DRAWING IS FOR REFERENCE ONLY.<br><br>FLUE AND AIR INTAKE SIZES ARE SUBJECT TO CHANGE DEPENDING ON VENT RUN. | DIMENSIONS ARE IN INCHES<br>TOLERANCES: FRACTIONAL ± 1/8" | 15/10/2020 |

**MONTIGO**  
 the art of fireplaces®  
 www.montigo.com