



Installing the HFK-Series Cross-Flow Blower

for use with: H-Series DF/
DL & L-Series DF Gas
Fireplaces

H34-DF/DL; L38-DF

H38-DF/DL; L42-DF

H42-DF/DL; L52-DF

CAUTION:

Ensure that power is off at the electrical breaker or fuse before beginning installation.
Ensure the Gas is off at the shut-off before beginning installation.

⚠ WARNING

Some materials used in the manufacturing process of this product can expose you to Benzene which is known in the State of California to cause cancer and birth defects or other reproductive harm. For more information go to www.P65warnings.ca.gov



- This kit should be installed by a qualified person.
- Check local codes and read all instructions prior to installation.

General Information

This blower kit is for installation on the following models:

- Casa H34DL / H34DF
- Villa H38DL / H38DF
- Estado H42DL / H42DF
- L38-DF, L38-DF-I, L38-DF-A, L38-DF-F
- L48-DF, L42-DF-I, L42-DF-A, L42-DF-F
- L52-DF, L52-DF-I, L52-DF-A, L52-DF-F

KIT #	Contents
HFK34	2 x blowers, 1x fan cord assembly, 4 x mounting screws
HFK34H	2 x blowers, 1x fan cord assembly, 4 x mounting screws, 1x heat sensor switch
HFK42	2 x blowers, 1x fan cord assembly, 4 x mounting screws
HFK42H	2 x blowers, 1x fan cord assembly, 4 x mounting screws, 1x heat sensor switch

Before You Begin

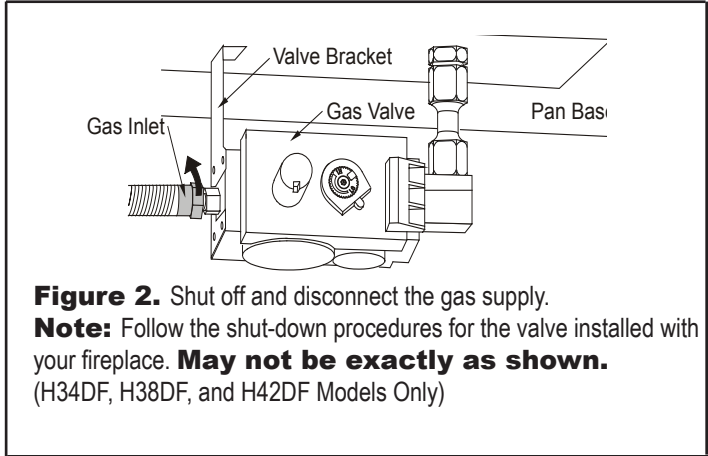
Ensure that the power supply has been turned off at the breaker or fuse before beginning the installation.

Shut off the gas supply at the shut-off valve, and ensure that the main burner and pilot light have been turned off and the fireplace has been cooled off for at least two hours before installation.

Installation

- 1a. Models H34DL, H38DL, and H42DL: Remove the lower louvres to gain access to the control compartment. Go to Step 2.
- 1b. Models H-Series and L-Series: Remove the glass door to gain access to the control compartment through the firebox.
2. Remove the accessories inside the firebox; logset, glass pebbles, or decorative river rocks, etc
3. Carefully remove the decorative horizontal insulation panels.

4. Shut off the gas to your fireplace and shut off the control valve. See the instruction on the placard supplied with your fireplace.



NOTE: DO NOT CONTINUE UNTIL THIS STEP IS COMPLETED.

5. Remove the burner tray as shown in figure 3 for the H-DL Series gas fireplace, and figure 3a for the L-Series DF fireplace.

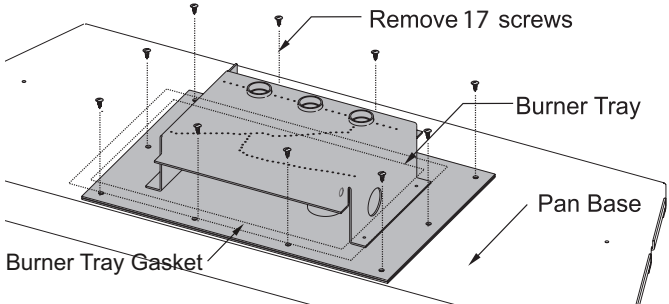


Figure 3. Removing the burner tray. (H34DF, H38DF, and H42DF Models Only)

Installing the HFK34/ HFK34H Cross-Flow Blower

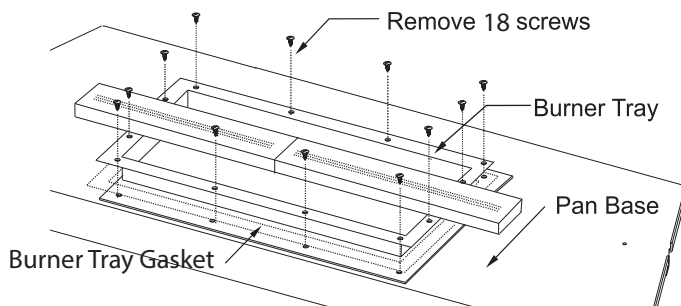


Figure 3a. Removing the burner tray. (L38DF, L42DF, L52DF Only)

6. Install the first blower on the left side. Attach the connections on the fan cord with the connections on the blower. On models H34-DL, H38-DL, and L42-DL, slide the blowers carefully into place to the right of the valve. Take care not to damage any pilot tubing or gas controls. On models L38-DF and L-42-DF, slide the blower into place carefully through the opening in the base of the firebox.

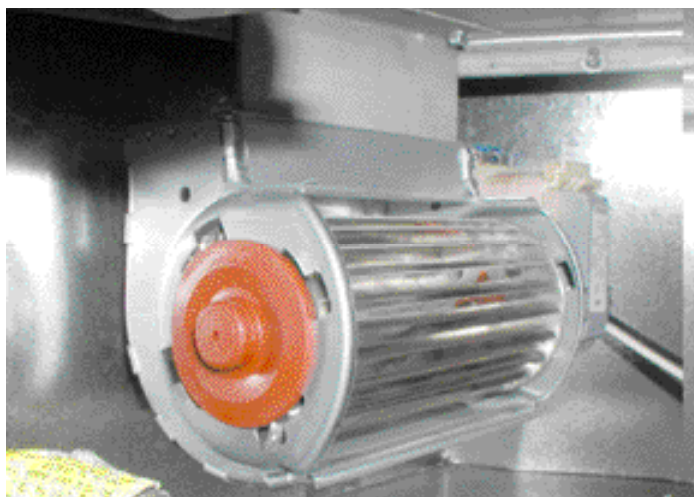


Figure 4. Positioning the blower on the left side.

7. Install the second blower on the right side. Attach the remaining connections on the fan cord with the connections on the blower. On models H34-DL, H38-DL, slide the blowers carefully into place to the right of the valve. Take care not to damage any pilot tubing or gas controls. On models L38-DF, L42-DF and L-52-DF, slide the blower into place carefully through the opening in the base of the firebox.

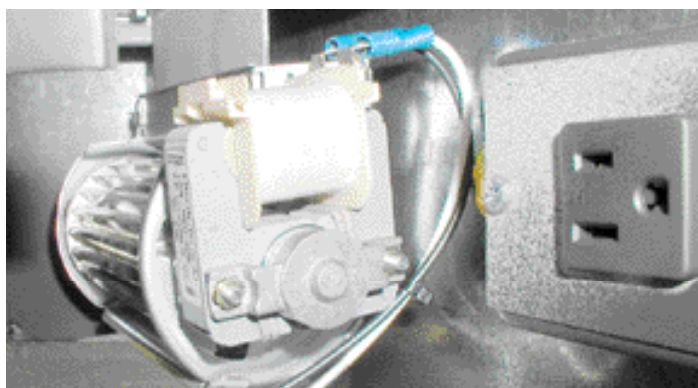


Figure 5. Positioning the blower on the right side.

8. On each blower, position the inside of the front top edge with the mounting brackets on each side of the control compartment, as shown in figures 4 and 5. Fasten both blowers in place with self tapping screws.
9. If the PPO box has not been factory installed, ensure that the household electrical supply is shut off at the breaker or fuse, and connect the two wire leads from the box to the household electrical supply. Insert the PPO box into the square hole in the right-hand side of the control compartment and screw into place.

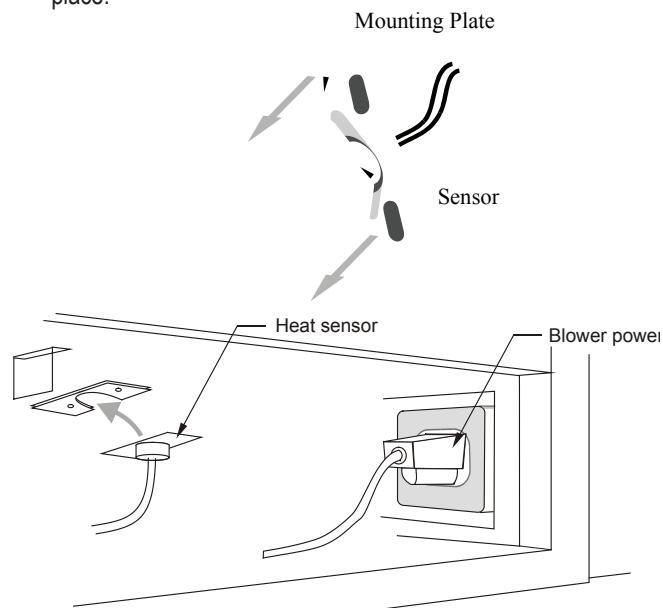


Figure 6. Installing the heat sensor.

Plug the blower's power cord into the receptacle on the PPO box.

10. Install the heat sensor switch contained in the HFK34H blower kit:
On models H34DF, H38DF, and H42DF, reinstall the burner tray as outlined in step 1b and shown in figure 2. Install the heat sensor switch by sliding it into place underneath the burner tray to the right of the gas valve, as shown below.
11. On models H34DF, H38DF, and H42DF, CAREFULLY reinstall the log base and logset and ensure that they are properly positioned as outlined in the fireplace's operation and installation manual. Once the logset is properly positioned, replace the glass door. On -L-Series models replace the ceramic panel(s), decorative beads, and/or decorative rocks.
12. Replace the door as shown in your instruction guide.
13. Turn on the power supply and reconnect the gas supply.