

# MONTIGO

## INSTALLING AND OPERATING YOUR MONTIGO GAS-BURNING FIREPLACE

Please leave this manual with the owner

**CHECK LOCAL CODES PRIOR TO INSTALLATION**

**FOR YOUR SAFETY**

**IF YOU SMELL GAS:**

1. OPEN WINDOWS.
2. DON'T TOUCH ELECTRICAL SWITCHES.
3. EXTINGUISH ANY OPEN FLAME.
4. IMMEDIATELY CALL YOUR GAS SUPPLIER.

**FOR YOUR SAFETY:**

**DO NOT STORE OR USE ANY FLAMMABLE  
VAPOURS OR LIQUIDS NEAR THIS OR ANY  
OTHER GAS-BURNING APPLIANCE.**

**READ INSTRUCTIONS CAREFULLY BEFORE INSTALLING**

**MODEL  
MONTIGO 36SR**



**CANADIAN HEATING PRODUCTS INC.**

12091 88th Avenue, Surrey, B.C. Canada V3W 3J5 Ph #: (604) 597-3115 Fax #: (604) 597-3096

## INTRODUCTION

**Congratulations**, you are now the proud owner of the very attractive **Montigo 36SR** fireplace. Please read all of the installation instructions carefully to assure that your new fireplace will give you all the comfort and enjoyment you expect. The **Montigo 36SR** is a vented appliance and must be installed to a vented system. Consult your local Gas Inspection Branches for specifics.

The Montigo 36SR is rated at 40,000 BTU's.

The Montigo warranty will be voided by, and **Montigo** disclaims any responsibility for, the following actions:

- Modification of the fireplace and/or components including B-vent assembly or glass doors.
- Use of any component part not manufactured or approved by Montigo in combination with a Montigo fireplace system.
- Installation other than as instructed in this manual.

Consult your local Gas Inspection Branch about the particular requirements concerning installation of factory-built gas fireplaces. **All work should be done by a qualified contractor, and installation must conform with the current CAN/CGA B-149 Gas Installation Code and local regulations.**

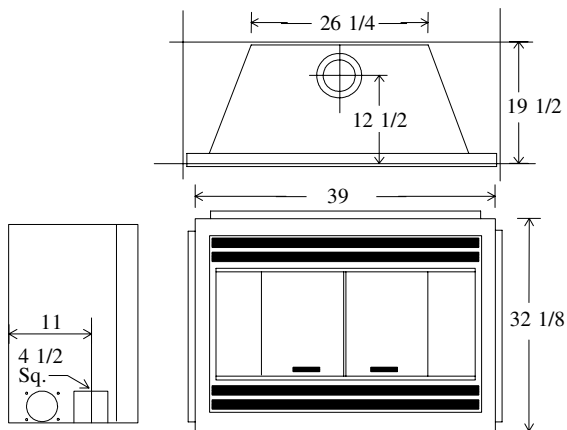
**The fireplace is not intended to be used as a substitute for a furnace to heat an entire home. Use for supplemental heating only.**

## SELECTING YOUR FIREPLACE LOCATION

The fireplace may be installed in any location that is free of air condition ducts, electrical wiring and plumbing. Safety, as well as efficiency of operation, must be considered when installing a fireplace, select a location that does not interfere with room traffic, has adequate ventilation, and offers an accessible pathway for B-Vent installation.

The fireplace dimensions are shown below:

**NOTE:** these are not framing dimensions (see Figure 2 for framing dimensions).



**FIGURE 1. FIREPLACE DIMENSIONS**

## CAUTIONS

- \*Due to its high operating temperatures, the appliance should be located out of traffic & away from furniture and draperies.
- \*Children and adults should be alerted to the hazards of the high surface temperature, which could cause burns or clothing ignition.
- \*Young children should be carefully supervised when they are in the same room as the appliance.
- \*Clothing or other flammable materials should not be placed on or near the appliance.

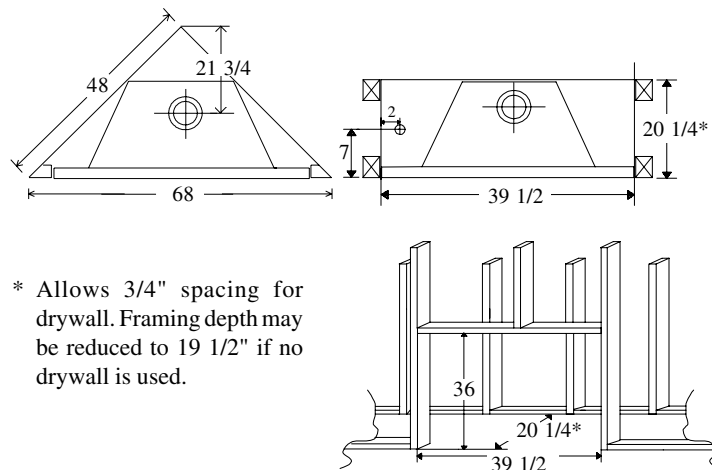
## INSTALLING THE FIREPLACE

The **Montigo 36SR** clearances to combustible materials are 0" back, 1" sides, 0" floor and 4" top. The **Montigo 36SR** must not be installed any closer than 8 inches to any unprotected combustible wall perpendicular to the fireplace opening.

For the protection against freezing temperatures, it is recommended that the outer walls of the chase be insulated with a vapour barrier. This will reduce the possibility of a cold-air convection current on the fireplace.

The B-vent system requires clearance of 1" minimum air space.

The framing dimensions are shown below:



- \* Allows 3/4" spacing for drywall. Framing depth may be reduced to 19 1/2" if no drywall is used.

**FIGURE 2. FRAMING DIMENSIONS**

## INSTALLING THE REMOTE SWITCH

The **Montigo 36SR** is equipped with a remote-operated valve, located behind the removable grille, at the bottom of the fireplace. (Refer to Figure 5 on the last page.) The valve is pre-wired and completely self-contained and self-powered: **DO NOT** connect any external power to it.

## INSTALLING THE GAS LINE

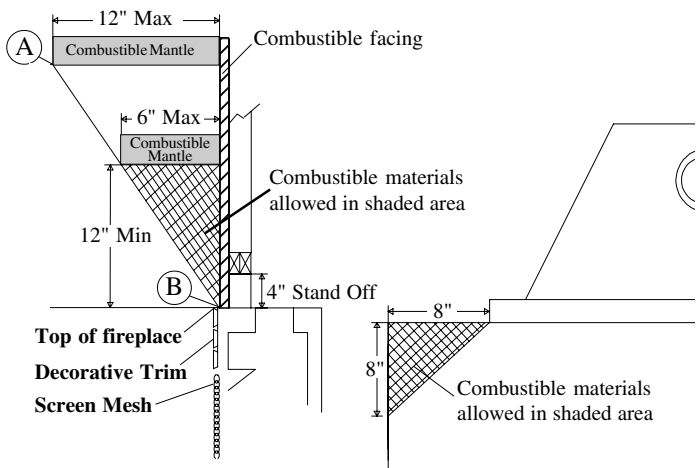
The gas line must be installed before finishing the Montigo **36SR** fireplace. The gas control valve (which is mounted behind the removable grille at the bottom of the unit), is connected to the gas line through the access opening which is provided on the left side.

### CAUTIONS

\*After gas line is connected, it is a CAN/CGA B149 1 & 2 . code requirement (Section 8.25.3 (e)) that "each appliance connection, valve, valve train, shall be checked while under normal operating pressure with either a liquid solution, or leak detection device, to locate any source of leak." Tighten any areas where bubbling appears or leak is detected until bubbling stops completely. **DO NOT** use a flame of any kind to test for leaks.

## FIREPLACE MANTLE AND FACING

Combustible mantles may be safely installed over the top of the fireplace, provided they do not project beyond a line from point **A** to point **B**, as illustrated in the left side of Figure 3 below. Combustible materials may also be installed next to the sides of the fireplace, provided they do not project beyond the shaded area illustrated in the right side of Figure 3.



**FIGURE 3. COMBUSTIBLE FACINGS**

When selecting the finish material for your fireplace, it is important to remember the following: **GRILLES MUST NOT BE OBSTRUCTED IN ANY WAY; to do so restricts the air supply for the control compartment and also prevents access for servicing controls.**

The face of the fireplace may be painted to match the room decor, provided you use a heat-resistant paint. Decorative facing must not extend past the fireplace opening at all, because it will interfere with the operation of the glass doors.

## HEARTH EXTENSION

If there is a combustible floor construction in front of the fireplace, a hearth extension is recommended to protect it. For the hearth extension recommend you project a minimum of 6" beyond the sides of the fireplace opening and a minimum of 12" in front of it. The hearth extension must be made from a non-combustible material, such as tile, slate, marble, etc. Consult your local Gas Inspection Branch should you decide to install your gas fireplace without a hearth extension.

## INSTALLATION OF B-VENT

**Montigo 36SR** uses 7" B-Vent and requires no B-Vent appliance connector. Fasten the B-Vent to the L-shaped brackets on each side of the opening with 1/4" sheet metal screws. Do not penetrate the inner sleeve of the B-Vent when tightening the screws. Refer to the current CAN/CGA B-149 Gas Installation Code for specific vent sizing installation instructions. The following table is provided as a guide for types of B-Vent to use with common installations. These values have been formulated to include a margin of safety to ensure safe operation in most typical installations.

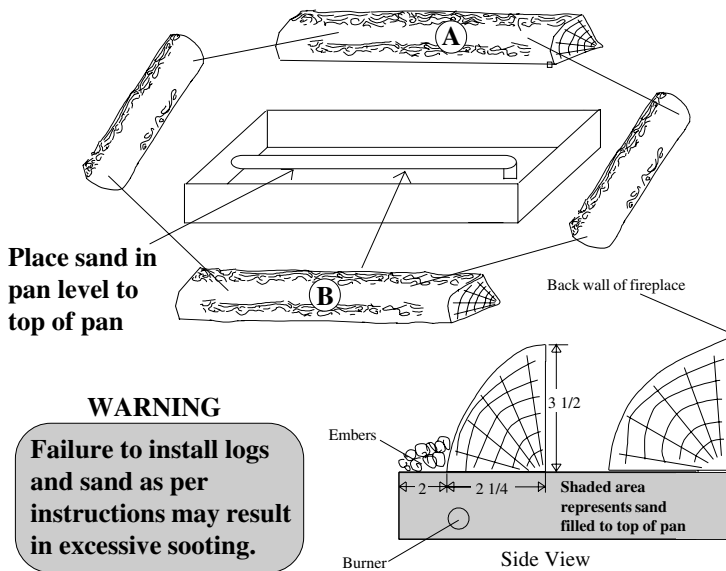
|   |  |
|---|--|
| <b>Vent Runs straight up (no Offsets)</b> | 8'(minimum)-10': use 8" B-Vent<br>greater than 10': use 7" B-Vent                      |
| <b>Vent Runs with a 45 degree Offset</b>  | 8'(minimum)-18' use 8" B-Vent<br>greater than 18': use 7" B-Vent                       |
| <b>Vent Runs with a 90 degree lateral</b> | 8'(minimum)-18': use 7" B-Vent<br>greater than 18': use <b>B-149</b> vent sizing chart |

If using the **B-149** sizing chart, select a B-Vent size that will accommodate 200,000 BTUs (5 times the BTU rating of the **Montigo36SR**).

Test your B-Vent installation after completion to assure that no combustible by-products are spilling from the fireplace opening. This draft test should be performed after a three minute warm up period. Canadian Heating Products Inc. will not be responsible for any installations with inadequate draw.

## INSTALLING SAND, LOGS AND EMBERS

**Montigo 36SR** Fireplaces are supplied with four cultured oak logs, sand and embers to help create an attractive and realistic fire. To install simply add the white silica sand until burner tray is **filled to the top**; an inadequate amount of sand may cause excessive sooting. Place one of the large logs towards back of pan and fireplace, making sure that hollow section is facing toward back wall of fireplace (**do not place hollow section facing the sand**). Place the other large log on the sand in about the middle of the pan (approx. 2" from front of pan to front of log), again making sure hollow section is facing toward back wall of fireplace. Sprinkle embers on all exposed areas of sand, particularly in front of the smaller log. Two small logs may be placed across large logs at random to create desired flame and log positions to simulate "Real Life Fire". **See figure 4.**

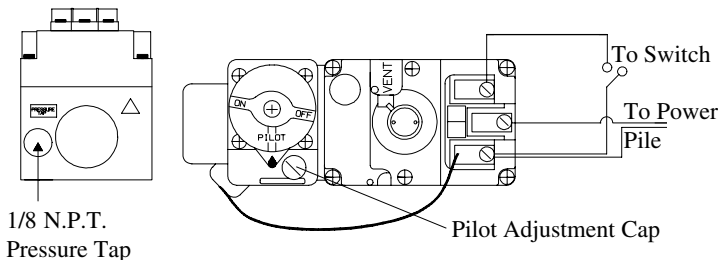


### LIGHTING PILOT AND MAIN BURNER

The gas control valve is located behind the grille in the centre of the fireplace (see **Figure 5** below). Before lighting the pilot, make sure that the gas line is connected and the gas shut-off valve is turned to the ON position.

To light the pilot we recommend the use of a long match or removal of log "C", "F", "G":

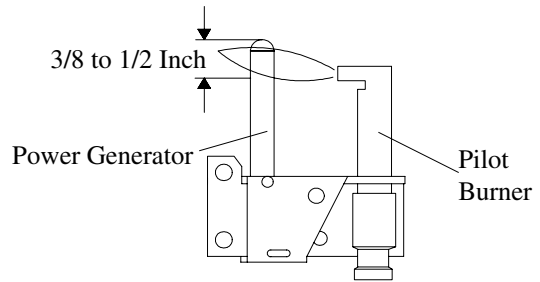
- Partially depress and turn dial on gas control valve to "OFF" position and wait 5 minutes.
- Turn dial to pilot position, depress dial and light pilot burner, hold for 1 minute, then release. If pilot does not remain ignited, repeat, allowing a longer time to elapse before releasing dial.
- To light the main burner, turn dial to "ON", then turn on remote switch.
- Turn off flame with remote switch. For complete shut down, slightly depress gas control valve dial and turn to "OFF" position.



**FIGURE 5. GAS CONTROL VALVE**

### PILOT BURNER ADJUSTMENT

- Remove Pilot Adjustment Cap (see **figure 5**).
- Adjust pilot key to provide properly sized flame. See **Figure 6** for properly sized flame.
- Replace pilot adjustment cap.
- Leak test with a soap solution after installing or servicing with main burner on. Coat pipe and tubing joints, gasket etc. with soap solution. Bubbles indicate leaks. Tighten any areas where the bubbles appear until the bubbling stops completely.



**FIGURE 6. PILOT BURNER ADJUSTMENT**

### MAINTENANCE

Have the fireplace installation inspected yearly, including a visual check of the vent system, the burner and the pilot flame. For your convenience a 1/8" pressure tap is supplied on the gas valve for a test gauge connection. See **Figure 5**. This appliance requires a minimum gas pressure of 7" W.C. for natural gas. Always keep the fireplace area clear and free of combustible materials, as well as gasoline and other flammable vapours and liquids. Use a vacuum cleaner or whisk broom to keep the control compartment, burner, and firebox free from dust and lint. Logs may be cleaned periodically with a vacuum to remove soot and other contamination.

### CAUTIONS

- \*Fireplace gas control must be in the "OFF" position and pilot and main burners extinguished when cleaning appliance with a vacuum.
- \*Logs can get very hot, handle only when logs are cool.

The following is a troubleshooting chart of possible problems:

| PROBLEM            | CORRECTIVE ACTION  |
|--------------------|--|
| Noisy Pilot Flame  | Turn pilot adjustor screw, located next to gas shut off valve. Flame is decreased by turning screw clock wise  |
| Pilot won't ignite | Disconnect remote wires and try to light pilot. If pilot now works, remote connections are faulty. If pilot still won't ignite, problem is in the control valve area, probably a faulty wire connection. |

If your **Montigo 36SR** still does not operate correctly, consult your dealer or the manufacturer.

**All service and repairs should be performed by a qualified agency**

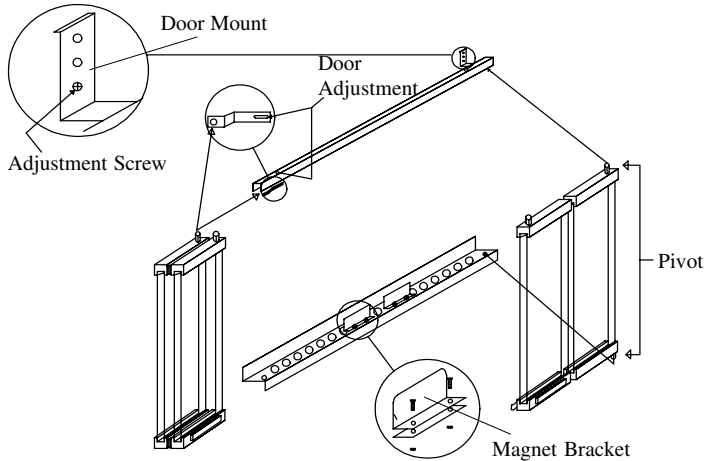
All spare parts are available from Canadian Heating Products Inc. or your local dealer.

The **Montigo 36SR** has a ten-year unlimited warranty on the firebox, a five-year warranty on the main burner, pilot burner and cultured oak logs. Also a one-year warranty on the gas control valve, and a 90 day warranty on the bifold glass doors.

## INSTALLATION OF GLASS DOORS

There are two door kits available for the **Montigo 36SR**. Bifold glass doors (**Model # M28BD**) or twin pane Glass doors (**Model # M28 TWP**)

The doors are held to the frame by an adjustable spring bracket at the top corners of the opening and a pivot point at the bottom of the glass doors, see Figure 7 and Figure 8.

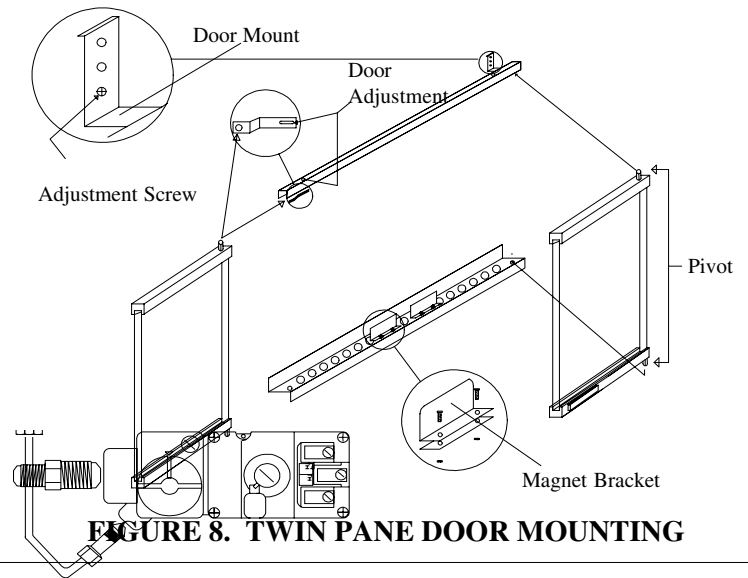


**FIGURE 7. BIFOLD DOOR MOUNTING**

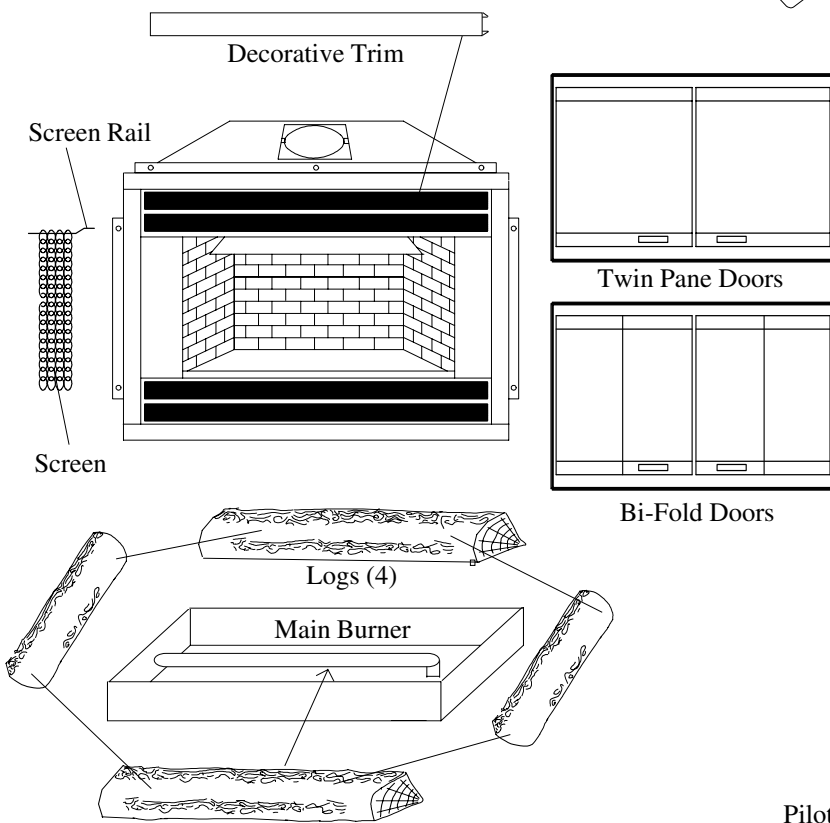
To install the door kit in the **Montigo 36SR**:

- a) To install left door place bottom pivot into bottom door hole. Push top spring clip upwards using a screwdriver and snap top pivot into top spring clip hole. Repeat above procedure to install right door.

- b) Doors may be adjusted by simply loosening spring clip screw and adjusting door into square.
- c) Doors may be adjusted front to back by simply turning screw, located on top door mount (see Figure 8 blow-up) until door is adjusted into desired position.
- d) You may also adjust bottom middle of door by loosening bolts and adjusting Magnet Bracket forward or backwards into desired position. **See Figure 8.**
- e) Remove the protective sheet from the door trim by peeling.
- WARNING:** Make sure this is done before fireplace is ignited as heat will melt plastic to brass and become non-removeable.

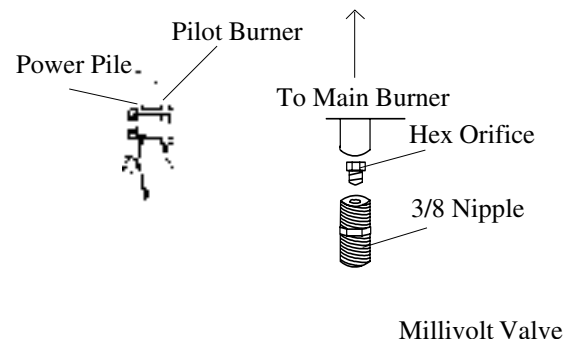


**FIGURE 8. TWIN PANE DOOR MOUNTING**



## MONTIGO 36SR PARTS LIST

|                    |                    |
|--------------------|--------------------|
| Top Grill Trim     | Main Gas Burner    |
| Screen             | Logs (4)           |
| Screen Rail        | Bottom Grille Trim |
| Bifold Glass Doors | 3/8 Hex Orifice    |
| Pilot Burner       | Millivolt Valve    |
| Pilot Tubing       | Silica Sand        |
| Power Pile         | Embers             |



Pilot Tubing

# MONTIGO 36SR DECORATIVE GAS FIREPLACES WARRANTY

## THE WARRANTY

Canadian Heating Products Inc. warrants the Montigo 36SR Decorative Gas Appliance to be free from defects in materials and workmanship at the time of manufacture. On the Montigo 36SR there is a ten-year warranty on the firebox and its components, a five-year warranty on the main burner, pilot burner, and cultured oak logs, as well as a one-year warranty on the gas control valve and bifold glass doors.

## REMEDY AND EXCLUSIONS

The coverage of this Warranty is limited to all components of the decorative gas appliance manufactured by Canadian Heating Products Inc.

This Warranty only covers Montigo decorative gas appliances installed in British Columbia, Canada.

If the components of the decorative gas appliance covered by this Warranty are found to be defective within the time frame stated (see Canadian Heating Products Inc.'s right of investigation outlined below), Canadian Heating Products will, at its option, replace or repair defective components of the decorative gas appliance manufactured by Canadian Heating Products Inc. at no charge, and will also pay for reasonable labour costs incurred in replacing or repairing components. If repair or replacement is not commercially practical, Canadian Heating Products will, at its option, refund the purchase price of the Montigo 36SR decorative gas appliance.

This warranty covers only parts and labor as provided above. In no case shall Canadian Heating Products Inc. be responsible for materials, components, or construction which are not manufactured or supplied by Canadian Heating Products Inc., or for the labour necessary to install, repair or remove such materials, components or construction. All replacement or repair components will be shipped F.O.B. from the nearest Canadian Heating Products Inc. factory.

## QUALIFICATIONS TO THE WARRANTY

The decorative gas appliance Warranty outlined above is further subject to the following qualifications:

- (1) The decorative gas appliance must be installed in accordance with Canadian Heating Products Inc. installation instructions and local building codes. The Warranty on this Montigo 36SR decorative gas appliance covers only the component parts manufactured by Canadian Heating Products Inc. The use of components manufactured by others with this Montigo 36SR decorative gas appliance could create serious safety hazards, may result in the denial of certification by recognized national safety agencies, and could be in violation of local building codes. This Warranty does not cover any damages occurring from the use of any components not manufactured or supplied by Canadian Heating Products Inc.
- (2) The Montigo 36SR decorative gas appliance must be subjected to normal use. The decorative gas appliances are designed to burn gas only. Burning conventional fireplace fuels such as wood, coal, or any other solid fuel will cause damage to the decorative gas appliance, will produce excessive temperatures, and will result in a fire hazard.

## LIMITATIONS ON LIABILITY

It is expressly agreed and understood that Canadian Heating Products Inc.'s sole obligation, and Purchaser's exclusive remedy under this Warranty, under any other warranty, expressed or implied, or in contract, tort or otherwise, shall be limited to replacement, repair, or refund, as specified above.

In no event shall Canadian Heating Products Inc. be responsible for any incidental or consequential damages caused by defects in its products, whether such damage occurs or is discovered before or after replacement or repair, and whether or not such damage is caused by Canadian Heating Products Inc.'s negligence. Some states do not allow the exclusion or limitation of incidental or consequential damages, so the above limitation or exclusion may not apply to you. The duration of any implied warranty with respect to this Montigo 36SR decorative gas appliance is limited to the duration of the foregoing warranty. Some states do not allow limitation on how long an implied warranty lasts, so the above may not apply to you.

## INVESTIGATION OF CLAIMS AGAINST WARRANTY

Canadian Heating Products Inc. reserves the right to investigate any and all claims against this Warranty and to decide upon method of settlement.

## CANADIAN HEATING PRODUCTS INC. NOT RESPONSIBLE FOR WORK DONE WITHOUT WRITTEN CONSENT

Canadian Heating Products Inc. shall in no event be responsible for any warranty work done without first obtaining Canadian Heating Products Inc.'s written consent.

## DEALERS HAVE NO AUTHORITY TO ALTER THIS WARRANTY

Canadian Heating Products Inc.'s employees and dealers have no authority to make any warranties nor to authorize any remedies in addition to or inconsistent with those stated above.

## HOW TO REGISTER A CLAIM AGAINST WARRANTY

In order for any claim under this Warranty to be valid, Canadian Heating Products Inc. must be notified of the claimed defect in writing or by telephone to Canadian Heating Products Inc., attention Customer Service Department, 12091 88th Avenue, Surrey, B.C., Canada V3W 3J5; telephone (604) 597-3115, as soon as reasonably possible after the defect is discovered. Claims against this Warranty in writing should include the date of installation, and a description of the defect.

## OTHER RIGHTS

This Warranty gives you specific legal rights, and you may also have other rights which vary from state to state.

Canadian Heating Products Inc. reserves the right to make changes at any time, without notice, in design, materials, specifications, prices and also to discontinue colours, styles, and products.

## DISTRIBUTED BY:



**CANADIAN HEATING PRODUCTS INC.**  
12091 88th Avenue, Surrey, B.C., Canada V3W 3J5  
Telephone (604) 597-3115  
Fax (604) 597-3096