

MONTIGO

INSTALLING YOUR MONTIGO GAS-BURNING FIREPLACE

CHECK LOCAL CODES PRIOR TO INSTALLATION

**FOR YOUR SAFETY
IF YOU SMELL GAS:**

1. OPEN WINDOWS.
2. DON'T TOUCH ELECTRICAL SWITCHES.
3. EXTINGUISH ANY OPEN FLAME.
4. IMMEDIATELY CALL YOUR GAS SUPPLIER.

FOR YOUR SAFETY

DO NOT STORE OR USE GASOLINE OR
OTHER FLAMMABLE VAPOURS OR
LIQUIDS IN THE VICINITY OF THIS OR
ANY OTHER APPLIANCE.

READ INSTRUCTIONS CAREFULLY BEFORE INSTALLING



MODEL MONTIGO 36NR



CANADIAN HEATING PRODUCTS INC.

6011 196A STREET, LANGLEY, B.C. V3A 1A8 PH. (604) 534-2900

INTRODUCTION

The **Montigo 36NR** is a vented appliance and must be installed to a vented system. The **Montigo 36NR** has an optional outside air kit available for installation. The **Montigo OAK** (outside air kit) must be installed at the same time as the fireplace. However, outside combustion air may be supplied from other sources. Consult your local Gas Inspection Branch for specifics.

The **Montigo 36NR** is rated at 40,000 BTU's.

The Montigo warranty will be voided by, and Montigo disclaims any responsibility for, the following actions:

- Modification of the fireplace and/or components including B-vent assembly or glass doors.
- Use of any component part not manufactured or approved by Montigo in combination with a Montigo fireplace system.
- Installation other than as instructed in this manual.

Consult your local Gas Inspection Branch about the particular requirements concerning installation of factory-built gas fireplaces. All work should be done by a qualified contractor, and installation must conform with the current B-149 Installation Code. Although grounding may not be required by the code, it is recommended by Montigo.

The fireplace is not intended to be used as a substitute for a furnace to heat an entire home. Use for supplemental heating only.

SELECTING YOUR FIREPLACE LOCATION

The fireplace may be installed in any location that is free of air conditioning ducts, electrical wiring and plumbing. Safety, as well as efficiency of operation, must be considered when selecting the fireplace location. Try to select a location that does not interfere with room traffic, has adequate ventilation, and offers an accessible pathway for B-Vent installation. The B-Vent system requires a 1" minimum air space.

The fireplace dimensions are shown below:

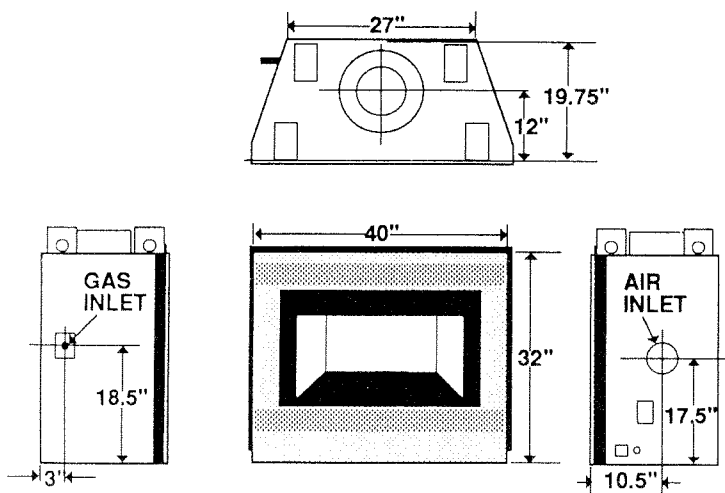


FIGURE 1. FIREPLACE DIMENSIONS

CAUTIONS

- Due to its high operating temperatures, the appliance should be located out of traffic & away from furniture and draperies.
- Children and adults should be alerted to the hazards of the high surface temperature, which could cause burns or clothing ignition.
- Young children should be carefully supervised when they are in the same room as the appliance.
- Clothing or other flammable materials should not be placed on or near the appliance.

INSTALLING THE FIREPLACE

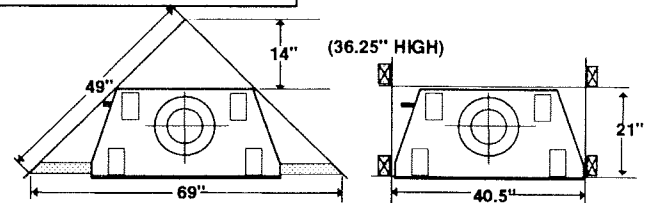


FIGURE 2. FRAMING DIMENSIONS

The **Montigo 36NR** is a zero-clearance fireplace, so combustible materials may touch the back and sides when it is installed. However, the **Montigo 36NR** must not be installed any closer than 8 inches to any unprotected combustible wall perpendicular to the fireplace opening.

For protection against freezing temperatures, it is recommended that any surfaces touching the fireplace be insulated and vapor-barriered. It is further recommended that the outer walls of the chase be insulated. This will reduce the possibility of cold-air convection currents on the fireplace.

INSTALLING THE OUTSIDE AIR KIT

If the **Montigo Outside Air Kit** is used, first determine the source of outside air, which may come through an outside wall or from a ventilated crawl space. Prepare a 4-1/2" dia hole for the air inlet duct. Avoid installing the air inlet where the opening could be blocked by snow, bushes, or other obstacles.

Remove the cover plate from the air inlet on the right side of the fireplace and secure the airduct flange with the 2 screws that formerly held the cover plate. Connect the opposite end of the airduct to the eyebrow.

Open the airgate, so the fireplace can draw outside air for combustion. When the fireplace is not in use, close the airgate to prevent cold air from entering the room. Check the intake screen periodically to be sure it is clear of debris.

INSTALLING THE GAS LINE

The gas line must be installed before finishing the fireplace. The **Montigo 36NR** has its gas control valve mounted in the space to the left of the opening. A gas shut-off valve is also provided in this space. The gas pressure required is 7" WC and 3-1/2" Manifold for natural gas installation.

After the gas line is connected, all gas piping and connections must be tested for leaks. With the gas valve turned on, apply a soap-and-water solution to all connections and joints. Tighten any areas where bubbles appear until the bubbling stops completely. Do **NOT** use a flame of any kind to test for leaks.

INSTALLING THE REMOTE SWITCH

The **Montigo 36NR** is equipped with a remote-operated valve, in the space to the left of the fireplace opening, underneath the gas control valve. (Refer to **FIGURE 6** on the last page.) The valve is prewired and completely self-contained and self-powered: do not connect any external power to it.

Controlling the remote switch with a room thermostat is not recommended. The fireplace may be unexpectedly ignited at any time: a potentially hazardous situation. Should you decide to connect the remote switch to a thermostat, be sure to wire the glass doors into a permanently-shut position.

Choose the best location for the on-off switch and run the low-voltage wire, which is attached to the terminals of the remote-operated valve, to that location. The length of wire provided by Montigo is 8 feet, which may be extended by splicing an additional length of wire. The splice should be soldered to assure a proper connection and taped to prevent any possibility of shorting. The total length of wire used should not exceed 30 feet to assure adequate operating current.

If a fan kit is installed, electrical power (115V) should be brought to the fireplace through the access provided on the right side of the fireplace. Refer to the **BF-36D FAN KIT** installation instructions for details.

HEARTH EXTENSION

If there is a combustible floor construction in front of the fireplace, a hearth extension is recommended to protect it. The hearth extension must project a minimum of 6" beyond the sides of the fireplace opening and 16" in front of it. The hearth extension must be made from a non-combustible material, such as tile, slate, marble, etc. Consult your local Gas Inspection Branch should you decide to install your gas fireplace without a hearth extension.

FIREPLACE MANTLE AND FACING

Combustible mantles may be safely installed over the top of the fireplace, provided they do not project beyond a line from point **A** to point **B**, as illustrated in the left side of **Figure 3**. Combustible materials may also be installed near the sides of the fireplace, provided they do not project beyond the shaded area illustrated in the right side of **Figure 3**:

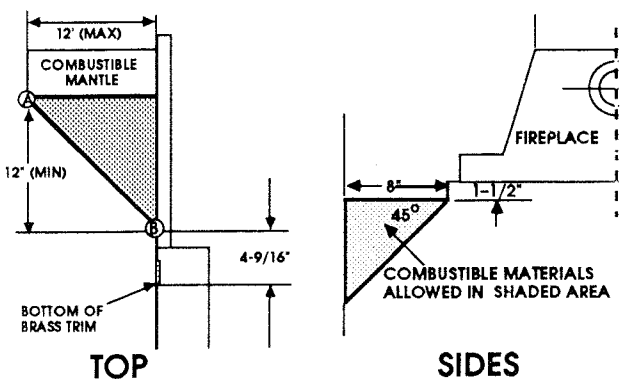


FIGURE 3. COMBUSTIBLE FACINGS

When selecting the finish material for your fireplace, it is important to remember the following: THE BLACK FACE OF

THE FIREPLACE MUST NOT BE COVERED WITH ANY TYPE OF COMBUSTIBLE MATERIAL, AND THE GRILLE MUST NOT BE OBSTRUCTED IN ANY WAY.

The face of the fireplace may be painted to match the room decor, provided you use a heat-resistant paint. Decorative facing must not extend past the fireplace opening at all, because it will interfere with the operation of the glass doors.

INSTALLATION OF B-VENT

The **Montigo 36NR** requires no appliance connector. The following diagram illustrates how to prepare the Montigo 36NR for attachment of 6" B-Vent. The B-Vent then slides onto the 8"-6" adaptor and is attached with 1/4" metal screws. Refer to the current B149 Installation Code for specific installation instructions.

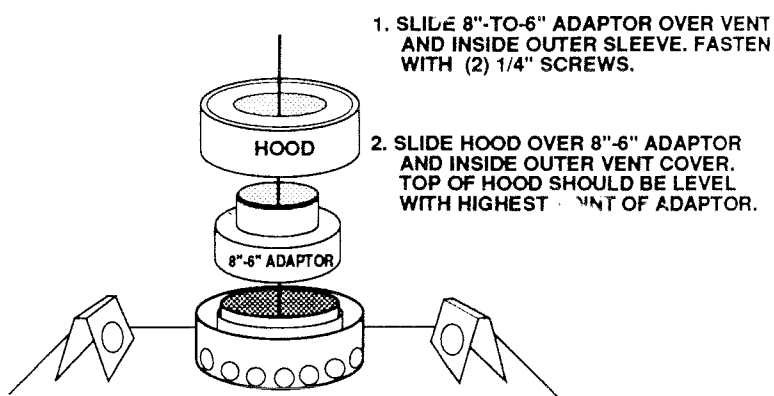


FIGURE 4. 6" B-VENT FITTING

The following table is provided as a guide for types of B-Vent to use with common installations. These values have been formulated to include a margin of safety to ensure safe operation in most typical installations. When installing 7" B-Vent, use the **M67 Converter Kit**.

Vent Runs straight up (no Offsets)	8' (minimum)-10': 10' or greater:	use 7" B-Vent use 6" B-Vent
Vent Runs with a 45° Offset	8' (minimum)-18': 18' or greater:	use 7" B-Vent use 6" B-Vent
Vent runs with a 90° Lateral	8' (minimum)-18': 18' or greater:	use 7" B-Vent use <u>Selkirk</u> chart

If using the Selkirk sizing chart, select a B-Vent size that will accommodate 200,000 BTU's (5 times the BTU rating of the **Montigo 36NR**).

These figures are guidelines, not requirements. Any other B-Vent configuration that would allow adequate draw after a warm-up period of 3 minutes would also be acceptable.

Test your B-Vent installation after completion to assure that no combustion by-products will spill from fireplace opening. Canadian Heating Products, Inc. will not be responsible for any installations with inadequate draw.

INSTALLATION OF BIFOLD DOORS

The glass doors fit into the fireplace as shown:

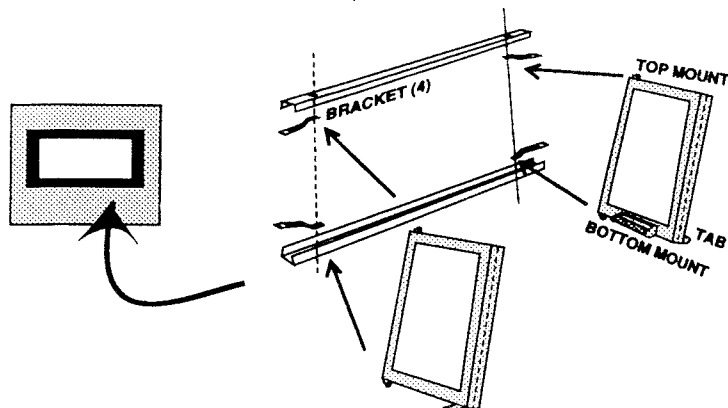


FIGURE 5. BIFOLD DOOR MOUNTING

To install the door kit in the **Montigo 36NR**:

- Fasten each bracket to the hole in each corner of the track mounted at the top and bottom edges of the fireplace opening with the screws provided. Make sure that the free ends of the brackets are pointing outward and away from the track.
- Insert the doors into the brackets. Each door is first folded and the top mount inserted in the hole on the upper bracket. While holding the top mount there, move the lower mount into the lower track. Then slide the lower mount outward along the track until it slides into the hole in the lower bracket. **HANDLE THE DOORS GENTLY; DO NOT SCRATCH THE GLASS.**
- If the doors are not aligned evenly when they close, the brackets should be adjusted to "square" the doors. Any of the brackets can be repositioned by slightly loosening the screw at the bracket, sliding the bracket in the desired direction and re-tightening the screw. Bend the tab at bottom of each door so doors remain flush with frame when they are closed.
- Remove the protective sheet from the door trim by peeling.

SAND, LOGS AND EMBERS

Add the white silica supplied with the fireplace until the burner tray is filled to the top of the rim; an inadequate amount of sand may cause excessive sooting.

The log set consists of 2 large and 2 small logs. Place the largest log in the back part of the pan against the rear wall of the fireplace. Place the other large log snugly in front of the larger log, so that sand is exposed in the front area of the pan. Place the 2 smaller logs on top of the larger logs. Sprinkle the embers supplied on all exposed areas of sand, particularly in front of the logs.

LIGHTING PILOT AND MAIN BURNER

The gas control valve is located in the space to the left of the fireplace opening (see **Figure 6**, next column). Before lighting the pilot, make sure that the gas line is connected and the gas shut-off valve is turned to the ON position. To light the pilot:

- Partially depress and turn dial on gas control valve to "OFF" position and wait 5 minutes.

- Turn dial to "PILOT" position.
- Fully depress dial and light pilot. Hold in depressed position for about 1 minute, then release. If pilot does not remain ignited, repeat, allowing a longer time to elapse before releasing dial.
- To light the main burner, turn dial to "ON", then turn on remote switch.

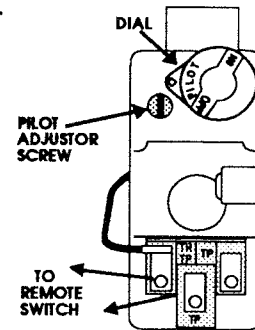


FIGURE 6. GAS CONTROL VALVE

SHUT DOWN INSTRUCTIONS

The main burner is turned off by activating the remote switch to the OFF position.

For a complete shut down, depress and turn the dial on the gas control valve to the OFF position.

MAINTENANCE

Have the fireplace installation inspected yearly, including a visual check of the vent system, the burner and the pilot flame.

Always keep the fireplace area clear and free of combustible materials, as well as gasoline and other flammable vapours and liquids.

Use a vacuum cleaner or whisk broom to keep the control compartment, burner, and firebox free from dust and lint. Clean logs periodically with soap and water to remove soot and other contamination.

The following is a troubleshooting chart of possible problems:

PROBLEM	CORRECTIVE ACTION
Noisy Pilot Flame	Turn pilot adjustor screw, located next to gas shut-off valve. Flame is decreased by turning screw clockwise.
Unbalanced Flame	Reposition logs.
Pilot won't Ignite	Disconnect remote wires and try to light pilot. If pilot now works, remote connections are faulty. If pilot still won't ignite, problem is in the control valve area, probably a faulty wire connection.
Excessive Smoke	Check for adequate draft.
Sooting of Logs	Move logs or diminish flame so flames don't hit logs directly.

If your **Montigo 36NR** still does not operate correctly, consult your dealer or the manufacturer.

The **Montigo 36NR** has a ten-year unlimited warranty on the firebox and gas pan, a one-year warranty on the pilot burner, gas control valve and fan system, and a 90-day warranty on the bifold glass doors.