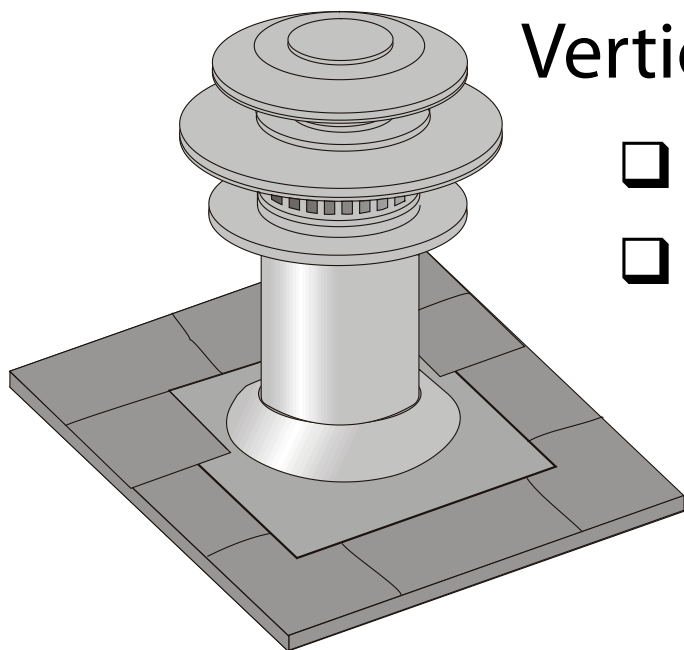


Direct Vent System Installation Instructions

Vertical Termination Kits



❑ MVTK-1 (includes MXT-10 adaptor)

❑ PVTK-1 (includes PXT-10 adaptor)

Read all instructions and check local codes prior to installation.

Also refer to the fireplace installation instructions.

Canadian Heating Products Inc.

Langley, BC V4W 4A1

Montigo Del Ray Corp.

Ferndale, WA 98248



General Information

This guide covers the following models:

MVTK-1 - Standard Series (4⁷/₈" dia.)

This kit includes: 1 x MVTK vertical termination
1 x MXT-10 adaptor

PVTK-1 - Premium Series (5⁷/₈" dia.)

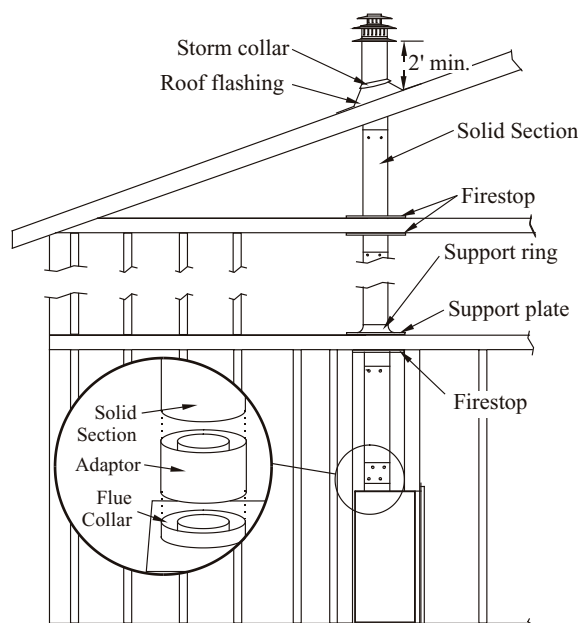
This kit includes: 1 x PVTK vertical termination
1 x PXT-10 adaptor

Before you begin:

- Vertical Terminations must be installed:
 - minimum 2' (two feet) above the highest point where vent passes through the roof.
 - minimum 6' (six feet) from a mechanical air inlet
 - minimum 3' (three feet) from a parapet wall.
- Vertical vent runs must be supported by support straps or support plates and rings. Refer to the section '**Types of Vertical Installations**' for minimum requirements.
- Minimum clearances 1" from vent to all combustible materials must be maintained. Clearances listed in the **fireplace's Installation Operation and Maintenance Instructions** supersede this number.

Types of Vertical Installations

A. Straight Vertical (No Offsets)



* Minimum 1" clearance to all combustibles

Figure 1. Straight vertical vent run. Use of the MXT-10/PXT-10 adaptor is shown here.

Installing an MVTK-1/PVTK-1 Vertical Termination

Installing the Adaptor

For straight vertical vent runs, you must use the MXT-10/PXT-10 adaptor included with this kit.

Place the adaptor directly on the fireplace's flue collar. Install venting sections as required and be sure to support the vent run as shown in Figure 1.

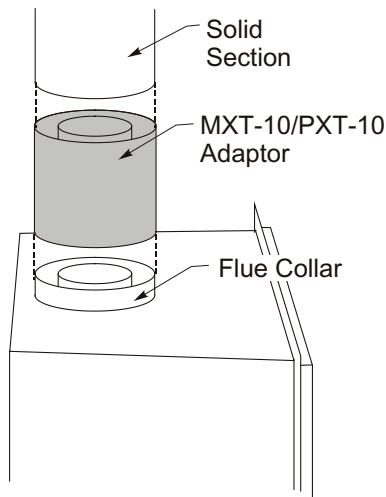


Figure 2. Installing the MXT-10/PXT-10 adaptor is shown here.

B. Offset Vertical Installation

You must support the vent pipe using a support plate and ring, or the roof straps. The fireplace is not designed to bear the weight of the venting components. For a vent run with a **single offset**, see figure 3. For vent runs with **two offsets**, see figure 4.

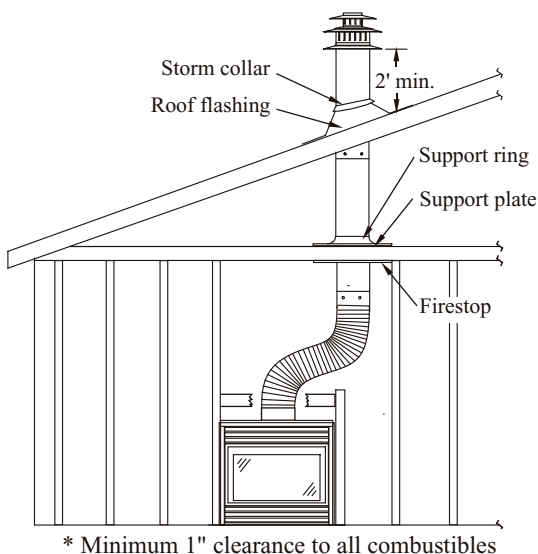


Figure 3. Vertical Installation with one offset.

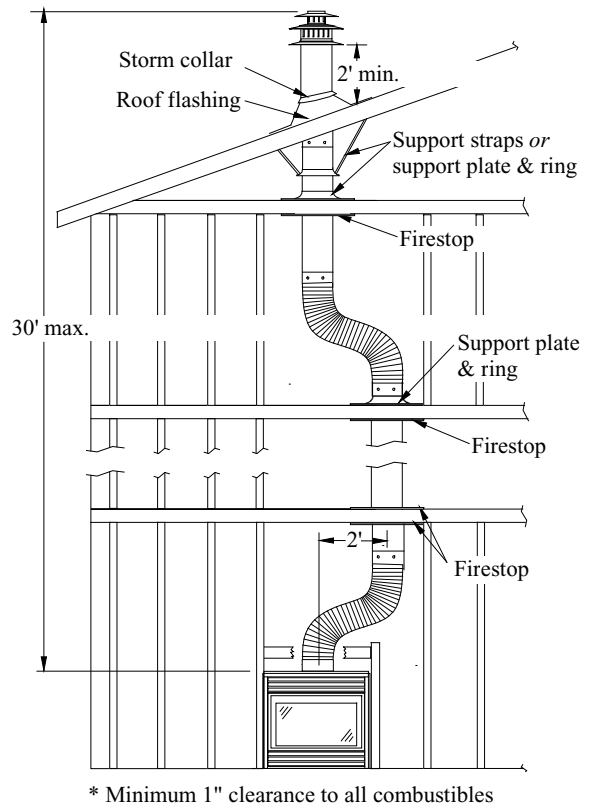


Figure 4. Vertical Installation with two offset.

Installing the Vertical Termination

Measure and cut a hole in the roof.

Install the venting through the roof line and fix it in place using support plates and rings, or support straps at the roofline. Ensure that a minimum of 2' of vent pipe is exposed above the highest point where the pipe passes through the roof.

Install the roof flashing and storm collar.

Slide the vertical termination over the exposed pipe and attach with at least three screws.

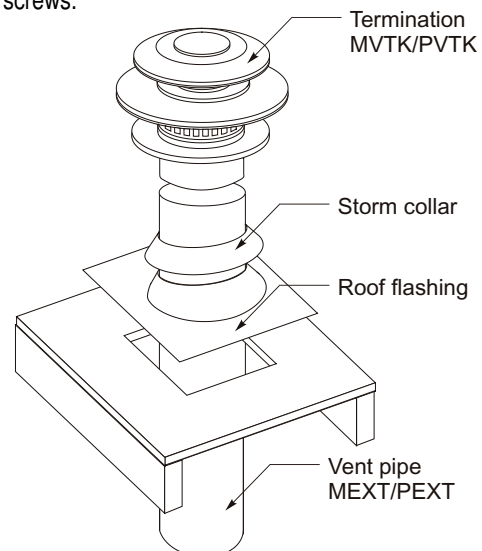


Figure 5. Vertical termination installation procedures.