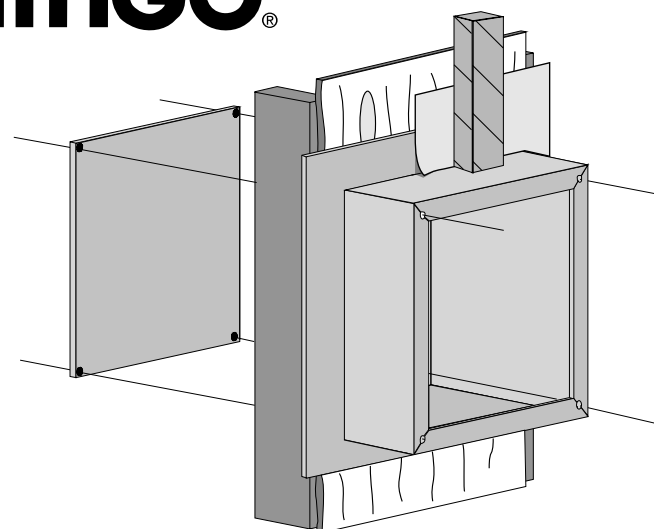




## Typical Installation - Stucco

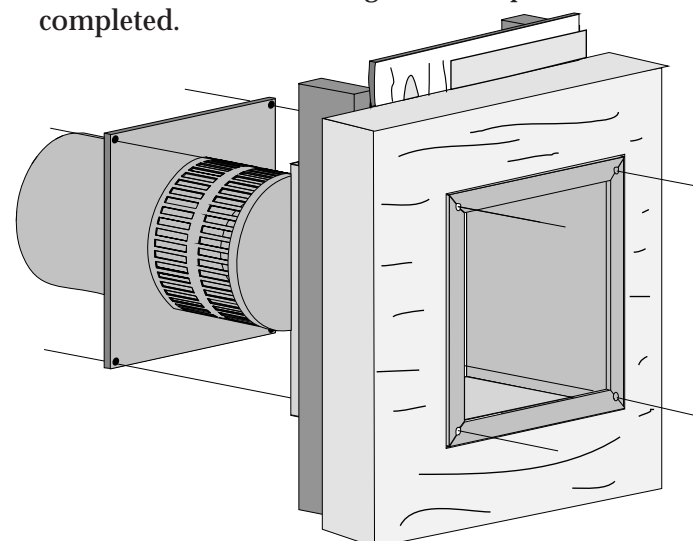
### Step 1

- The MOSR frame is fastened to the sheeting.
- A weatherproof membrane is fastened directly to the continuous flange on the termination frame. Now the termination is fully integrated into the building envelope.
- If no fireplace is installed immediately, the weather cover may be installed to seal out moisture.



### Step 2

- After the exterior finish is applied, the termination is attached and the venting of the fireplace can be completed.



## Custom Jobs

WeatherGuard is fully customizable to meet special installation situations or construction techniques. Contact the factory or your dealer for more information on:

- Special finishes, including painting to spec.
- Special terminations
- Special frames or cans

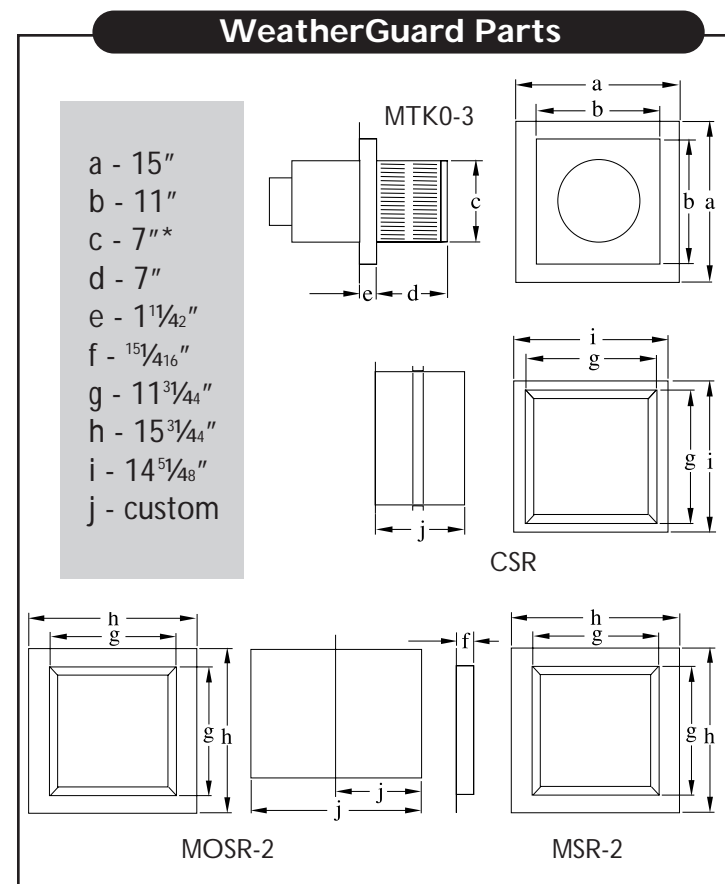
Consult installation instructions prior to installing fireplaces or their venting components. All specifications, product designs, materials and colours are subject to change without notice. Diagrams and illustrations not to scale.

For more information, contact the factory or your nearest dealer/distributor:

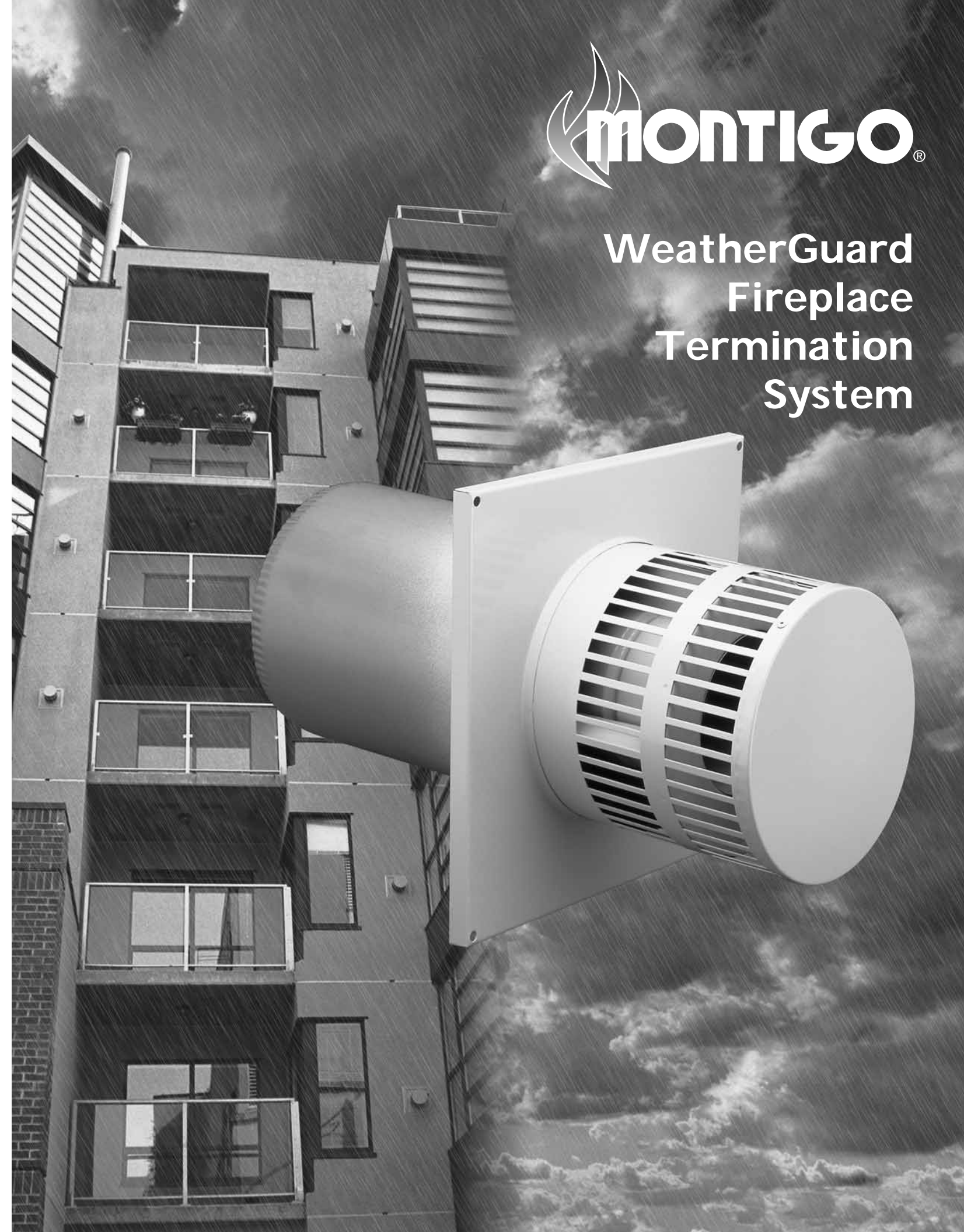
### MONTIGO DELRAY CORP.

Langley, BC • Ferndale, WA  
 Phone: (800) 378-3115  
 Fax: (866) 300-0927  
 E-mail: fireplaces@montigo.com

Printed in Canada 02/03  
 Part No. XB0503



## WeatherGuard Fireplace Termination System



Available at:

Consult your distributor for local fireplace code information



Over the past two decades, technological advances in the hearth industry have dramatically changed the role of the fireplace in the home. The gas fireplace has evolved into a clean, convenient way to provide a comfortable, warm environment.

As a leading manufacturer of gas appliances, Canadian Heating Products and Montigo DelRay Corp. have created a line of fireplaces that goes beyond the basic function of providing comfort.

Outstanding styles and quality engineering have become synonymous with the Montigo name.

Since 1976, Montigo has developed a full product line of direct vent and B-vent models that have captured worldwide interest.

Our patented designs in gas burners and venting components has allowed us to create unprecedented products that have turned Montigo into a true Work of Art!

# WeatherGuard. The Flexible, Proven

*The WeatherGuard System is fully integrated into the building envelope to provide unsurpassed protection against water damage. The modular design adapts to all construction techniques and allows easy installation.*

*Designed to meet your requirements.*

Direct Vent fireplace terminations must be functional and weatherproof in the face of severe sun, wind and rain exposure. Leaks on outside walls may not be detected until 2 to 5 years after occupancy, and repair costs can be insurmountable.

The WeatherGuard system meets these challenges with its superior protection against water damage, and unprecedented versatility through its modular design.

## Superior Protection

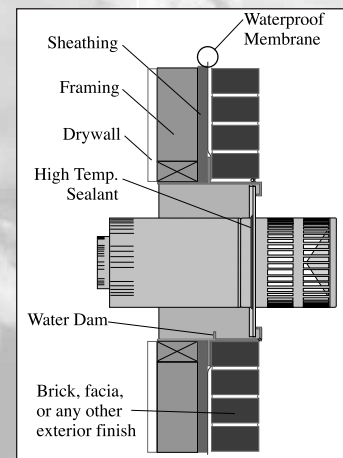
Whether your project is a single family home or a 40 storey hi-rise, the WeatherGuard system allows a complete transition through any type of building envelope. The modular design allows the waterproofing component of the termination kit to be installed before the exterior membrane is applied so that the two may be seamlessly integrated.

## The Flexibility of Modular Design

A complete line of components makes the WeatherGuard system flexible enough to meet the waterproofing requirements of most exterior wall construction methods. And, for most installations, there are no termination components protruding from the building during the exterior construction phase, making work easier for all subtrades. Montigo can also custom design a system to meet your wall/membrane requirements.

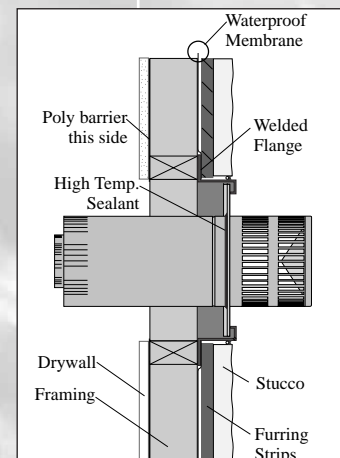
All our terminations are coated with special zinc primer which inhibits rust to ensure long life. Thousands of successful installations mean the WeatherGuard system has a proven track record with the building industry.

### Brick Stucco, or Fascia



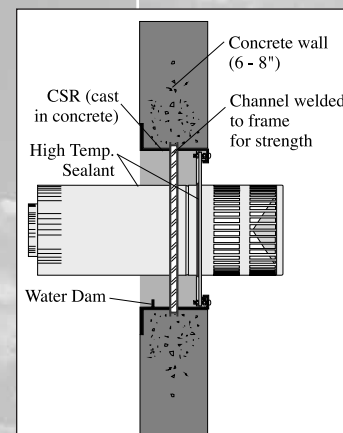
The standard can (Part#MOSR-2) includes a 2" flange for attaching the waterproof membrane. Available in a variety of sizes.

### Standard Wall Construction



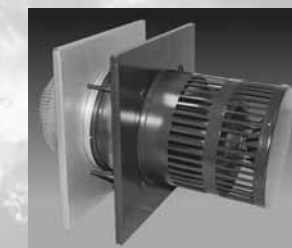
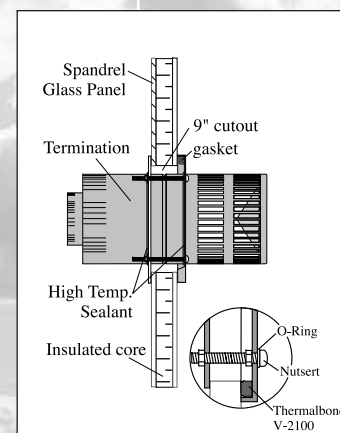
The standard frame (Part#MSR-2) is perfect for lighter construction techniques, such as wood framing and stucco finish.

### Concrete



The termination frame (Part #CSR) is cast directly into the concrete, with a steel channel added for strength.

### Glass Curtain (Window) Wall



This termination (Part # GSR) 'sandwiches' the wall panel allowing for varying wall thicknesses.

## Weather Proofing Features:

Moisture is never a problem with Montigo's vent components. The WeatherGuard System is designed with several features that help prevent moisture penetration, and ensure drainage if any moisture is pre-

1. GASKETS from a weather-tight seal between components.
2. CONTINUOUS FLANGES allow seamless integration of the waterproof membrane and the vent termination
3. WATER DAMS on terminations and frames prevent condensation and leakage from moving into the wall system
4. WEEP HOLES drain moisture from the termination frame.
5. The termination is CANTED DOWNWARDS to drain any rain that which enters the vent pipe through the termination