



RFK1040

Installation Instructions

Cross-Flow Blower Kit

for use with:

M40DV-PFC

M40DV-CR/CL

Gas Fireplaces

CAUTION:

Ensure that power is off at the electrical breaker or fuse before beginning installation.

- *This kit should be installed by a qualified person.*
- *Check local codes and read all instructions prior to installation.*

Canadian Heating Products Inc.

Surrey, BC V3W 2V6

Montigo Del Ray Corp.

Ferndale, WA 98248



Installing the Cross-Flow Blower

Caution:

Before beginning installation, ensure that the **fireplace is turned off** and the firebox is cool to the touch.

Ensure that household **electrical circuit is shut off** at the circuit breaker.

Installation

1. Remove the upper and lower louvre assemblies from one side of the fireplace. Lift the louvre assembly up and pull outwards, as shown in Figure 1a.

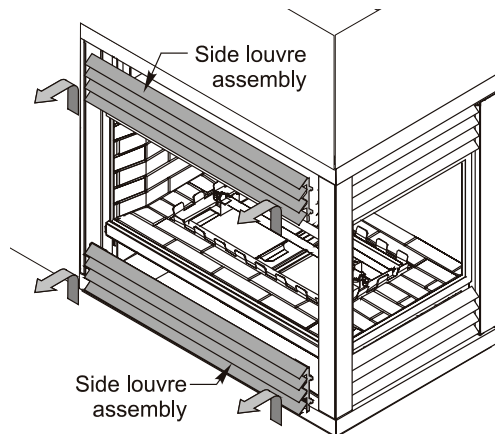


Figure 1a. Removing the louvre assemblies.

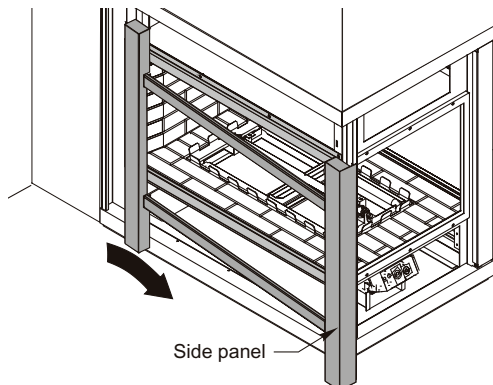


Figure 1b. Removing the side panels.

Remove the side panel as shown in Figure 1b. Remove the glass door on one side by unscrewing the bolts which hold it in place. Remove all the logs, making sure you handle them carefully.

2. Check the floor of the control compartment for pilot holes to be used for installing the blower assemblies. See Figure 2a for the location. If the pilot holes are drilled, move the blower assemblies into place underneath the fireplace. Figure 2b shows the proper arrangement. Secure them by screwing into the pilot holes.

On some models there are no pilot holes for securing the fan assemblies in place. For these fireplaces, apply a piece of double-sided tape to the underside of each blower assembly. Place the blowers in place, as shown in Figure 2b. The top of the blower

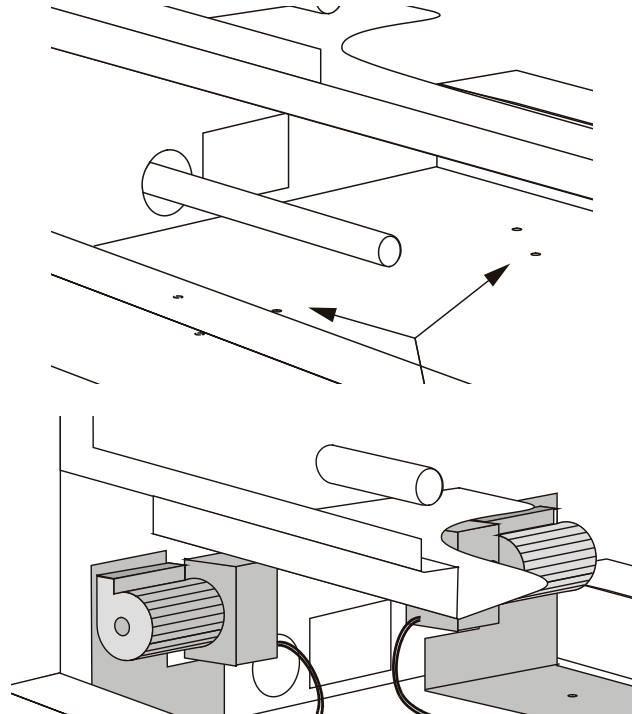
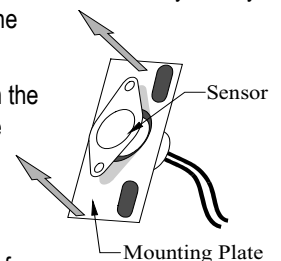


Figure 2. Positioning the blower assemblies underneath the fireplace. **Inset:** Location of the pilot holes. (Not present on all models.)

- motor should line up with the hole in the back of the fireplace.
3. If the Power Outlet (PPO) box has not been factory installed, ensure that the **household electrical supply is shutoff** at the breaker or fuse, and connect the two wire leads from the PPO box to the household electrical supply. Screw the box into place as shown in Figure 3.

You may choose not to install a PPO Box. In this case, you may splice the wire harness directly into the household electrical circuit.

4. Feed the heat sensor's wires through the hole in the mounting bracket. Pull the wires all the way through the bracket so the heat sensor rests on the bracket face, as shown at right.



Mount the bracket on the underside of burner panbase. If the fireplace has two mounting screws located on the center of the panbase, attach

Installing the Cross-Flow Blower

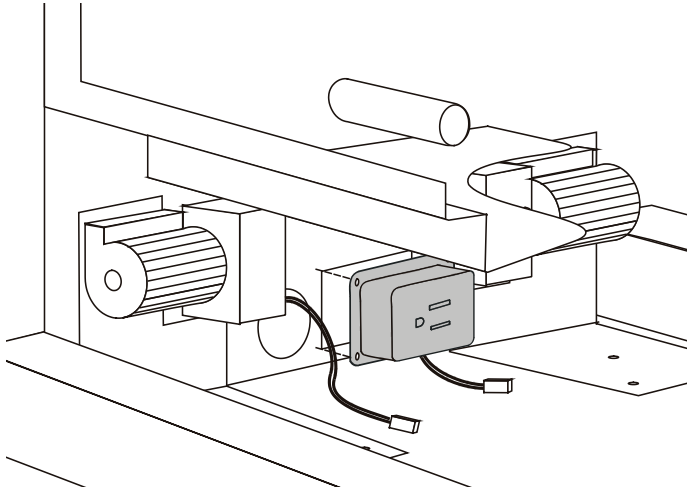


Figure 3. Installing the Power Outlet (PPO) box.

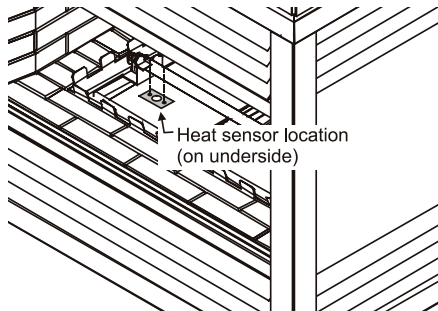


Figure 4. Locating the heat sensor.

the heat sensor by screwing the mounting bracket into place using the two screws.

In all other cases, use the mounting bracket as a template to mark screw holes as shown in Figure 4, then mount the sensor as described above.

Plug the two quick connectors from the blower assemblies into the connectors on the Wire Harness. Plug the blower's power cord into the receptacle on the PPO box.

6. Carefully replace the logs as shown in the fireplace manual. Re-install the glass door, side panel and louvre assemblies.

Operation

Operate the fireplace as you normally would. The fans will automatically turn on after the fireplace has been in operation for

Wiring

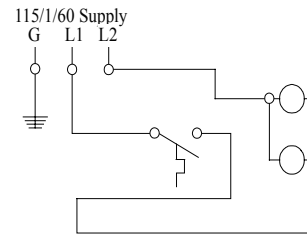


Figure 5. Wiring diagram for the crossflow blower.



XG0658 - 03/2001

Canadian Heating Products Inc.

13120 - 76th Avenue, Surrey, BC V3W 2V6
Phone: (604) 597-3115 Fax: (604) 597-3096

Montigo Del Ray Corp.

6925 Salashan Parkway, Ferndale, WA 98248
Phone: (360) 366-3507 Fax: (360) 366-1054