

PROPRIETARY AND CONFIDENTIAL

UNLESS OTHERWISE SPECIFIED:
 DIMENSIONS ARE IN INCHES
 TOLERANCES:
 FRACTIONAL ± 1/32"
 TWO PLACE DECIMAL ± .015"
 THREE PLACE DECIMAL ± .005"
 ALL BENDS ARE 90°
 3rd ANGLE PROJECTION

Canadian Heating Products Inc.

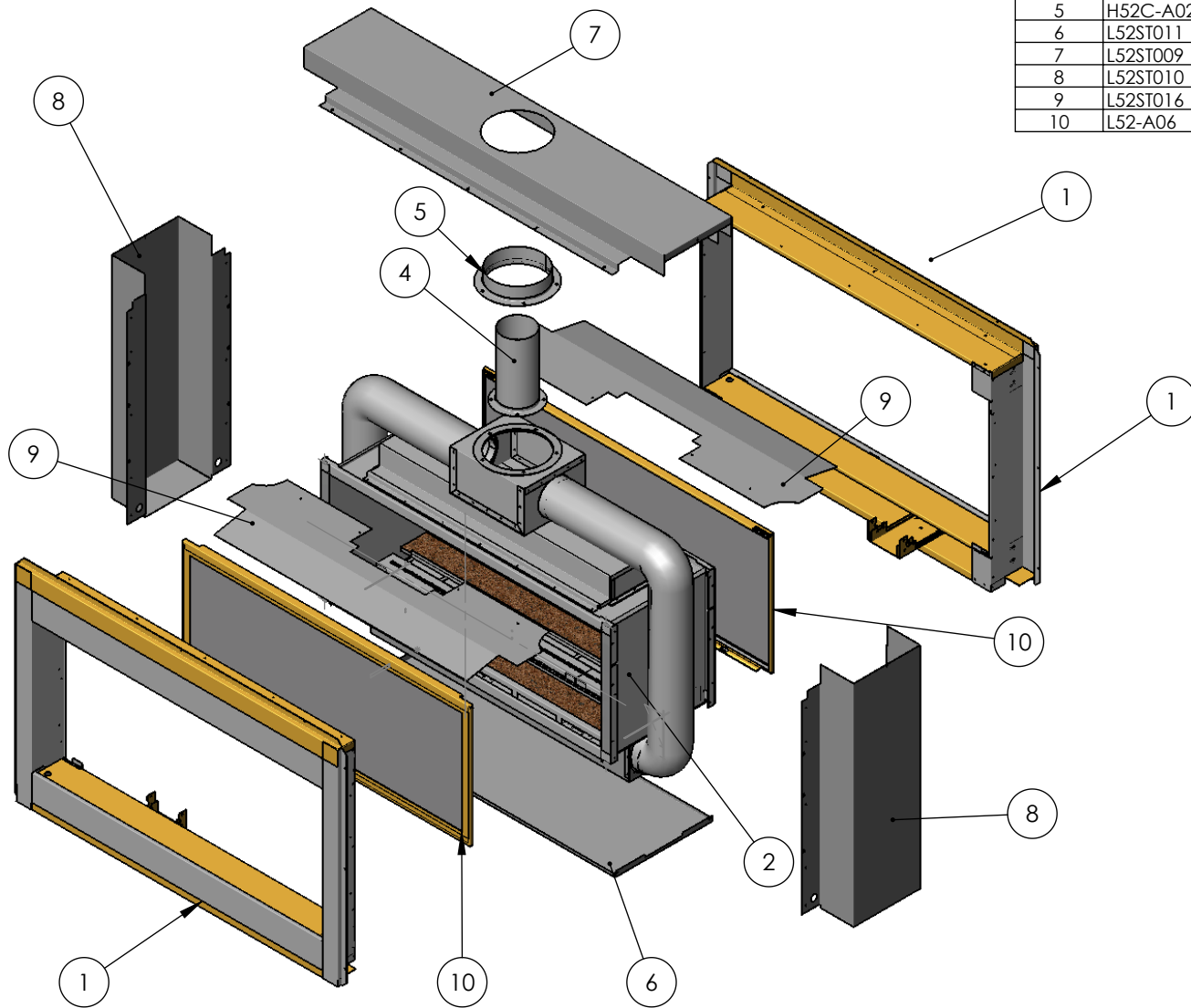
DRAWN BY D HILLS		TITLE OVERALL ASSY	
DATE SEPT 6/2007		REV. ■	
QUANTITY		SIZE A	
MATERIAL		DWG. NO. LS52 FULL	
FINISH		SCALE: 1:16	
		WEIGHT:	
		SHEET 1 OF 2	

REV.	DESCRIPTION	DATE	APPROVED	DO NOT SCALE DRAWING

THE INFORMATION CONTAINED IN THIS DRAWING IS THE SOLE PROPERTY OF CANADIAN HEATING PRODUCTS. ANY REPRODUCTION IN PART OR AS A WHOLE WITHOUT THE WRITTEN PERMISSION OF CANADIAN HEATING PRODUCTS IS PROHIBITED.

Z:\CADD\H-UNITS\H52\LS52 ST\LS52 FULL Thursday, September 06, 2007 4:06:02 PM Default

Item No.	Part No	Rev	Description	Qty
1	L52F-A04	B	OUTER FRAME ASSY	2
2	L52ST-A01	B	FIREBOX ASSEMBLY	1
4	L52C-A01	B	EXHAUST COLLAR ASSY - 5" Dia	1
5	H52C-A02	A	8" COLLAR SLEEVE ASSY	1
6	L52ST011	A	BOTTOM SKIN	1
7	L52ST009	B	OUTER TOP	1
8	L52ST010	B	OUTER COVER - VALVE SIDE	2
9	L52ST016	A	TOP DEFLECTOR PLATE	2
10	L52-A06	B	DOOR ASSEMBLY	2



PROPRIETARY AND CONFIDENTIAL

UNLESS OTHERWISE SPECIFIED:		<h1 style="text-align: center;">Canadian Heating Products Inc.</h1>			
DIMENSIONS ARE IN INCHES TOLERANCES: FRACTIONAL ± 1/32" TWO PLACE DECIMAL ± .015" THREE PLACE DECIMAL ± .005" ALL BENDS ARE 90°					
DRAWN BY D HILLS	DATE SEPT 6/2007	OVERALL ASSY			
QUANTITY	MATERIAL	SIZE A	DWG. NO. LS52 FULL	REV. -	SCALE: 1:16
DO NOT SCALE DRAWING	FINISH	WEIGHT:	SHEET 2 OF 2		

THE INFORMATION CONTAINED IN THIS DRAWING IS THE SOLE PROPERTY OF CANADIAN HEATING PRODUCTS. ANY REPRODUCTION IN PART OR AS A WHOLE WITHOUT THE WRITTEN PERMISSION OF CANADIAN HEATING PRODUCTS IS PROHIBITED.

Thursday, September 06, 2007 4:06:02 PM Default

Z:\CADD\H-UNITS\H52\LS52 ST\LS52 FULL