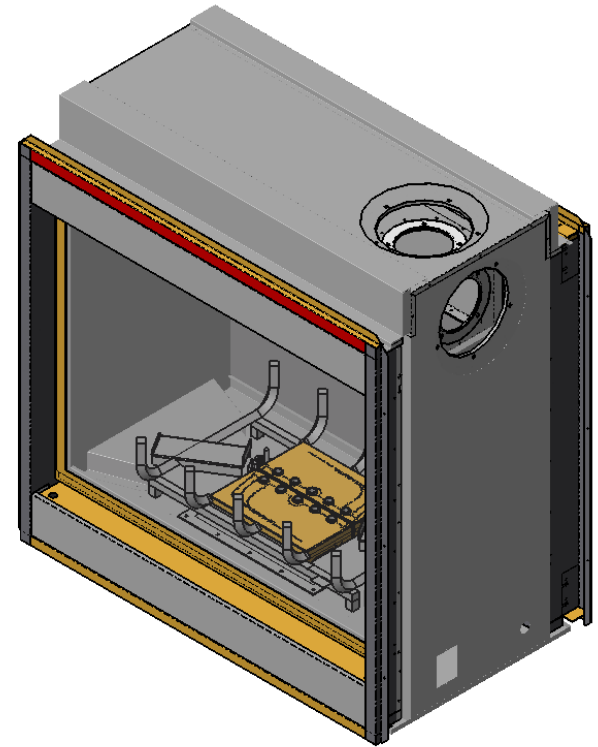
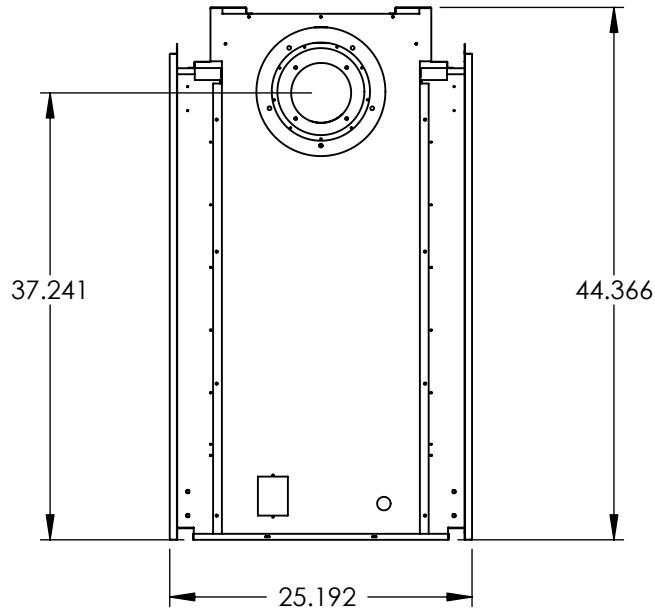
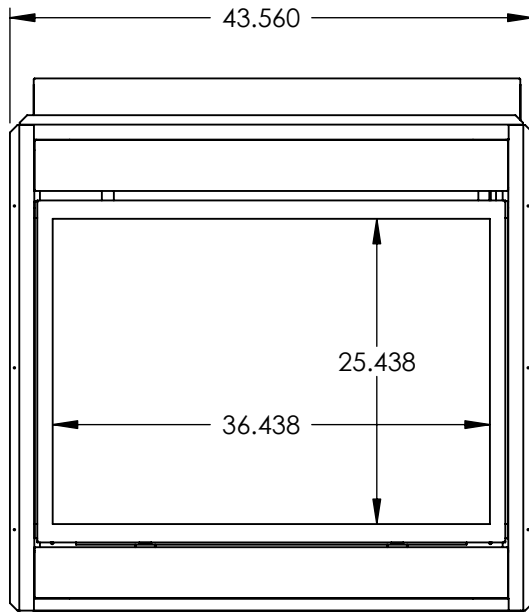
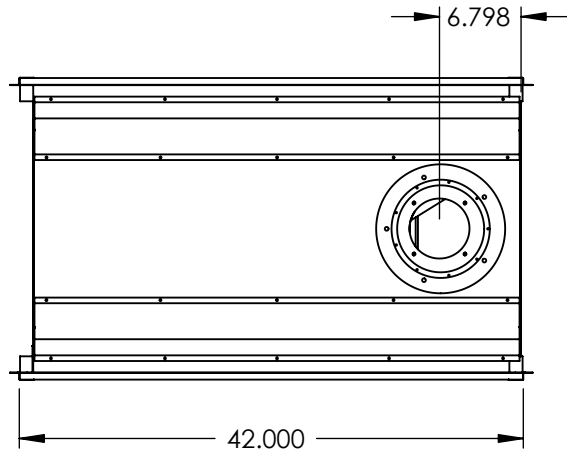



PROPRIETARY AND CONFIDENTIAL



UNLESS OTHERWISE SPECIFIED:		<h1>Canadian Heating Products Inc.</h1>			
DIMENSIONS ARE IN INCHES TOLERANCES: FRACTIONAL $\pm 1/32"$ TWO PLACE DECIMAL $\pm .015"$ THREE PLACE DECIMAL $\pm .005"$ ALL BENDS ARE 90°					
 3rd ANGLE PROJECTION DO NOT SCALE DRAWING		DRAWN BY	D HILLS	OVERALL ASSEMBLY	
		DATE	JAN 8/07		
		QUANTITY		SIZE	REV.
		MATERIAL		A	A
		FINISH		DWG. NO.	H42ST-A01
				SCALE: 1:16	WEIGHT:
				SHEET 2 OF 2	

THE INFORMATION CONTAINED IN THIS DRAWING IS THE SOLE PROPERTY OF CANADIAN HEATING PRODUCTS. ANY REPRODUCTION IN PART OR AS A WHOLE WITHOUT THE WRITTEN PERMISSION OF CANADIAN HEATING PRODUCTS IS PROHIBITED.

Z:\CADD\H-UNITS\H42\H42ST\H42ST-A01 Wednesday, February 06, 2008 10:36:35 AM default