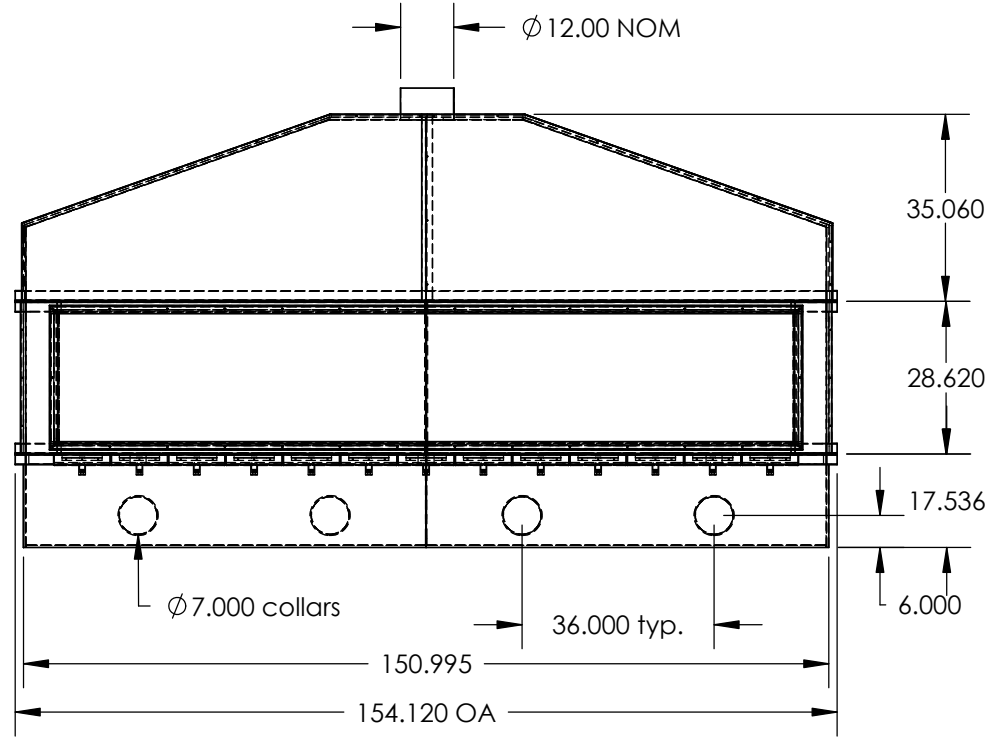
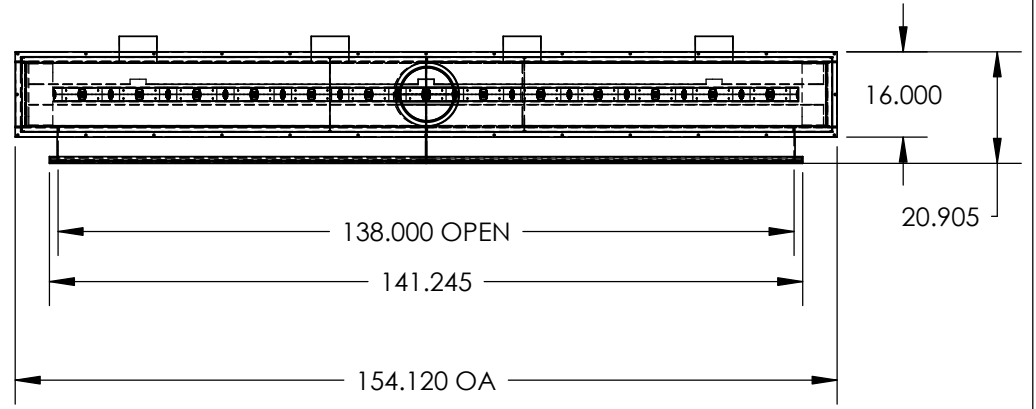
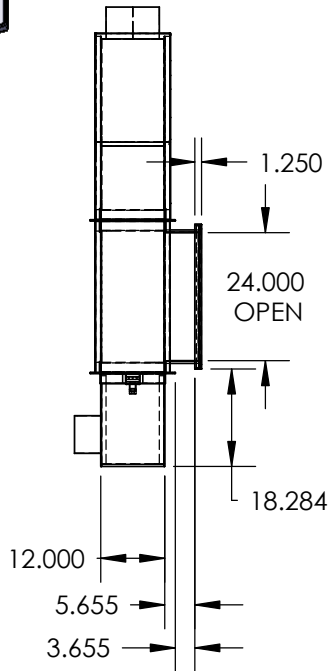
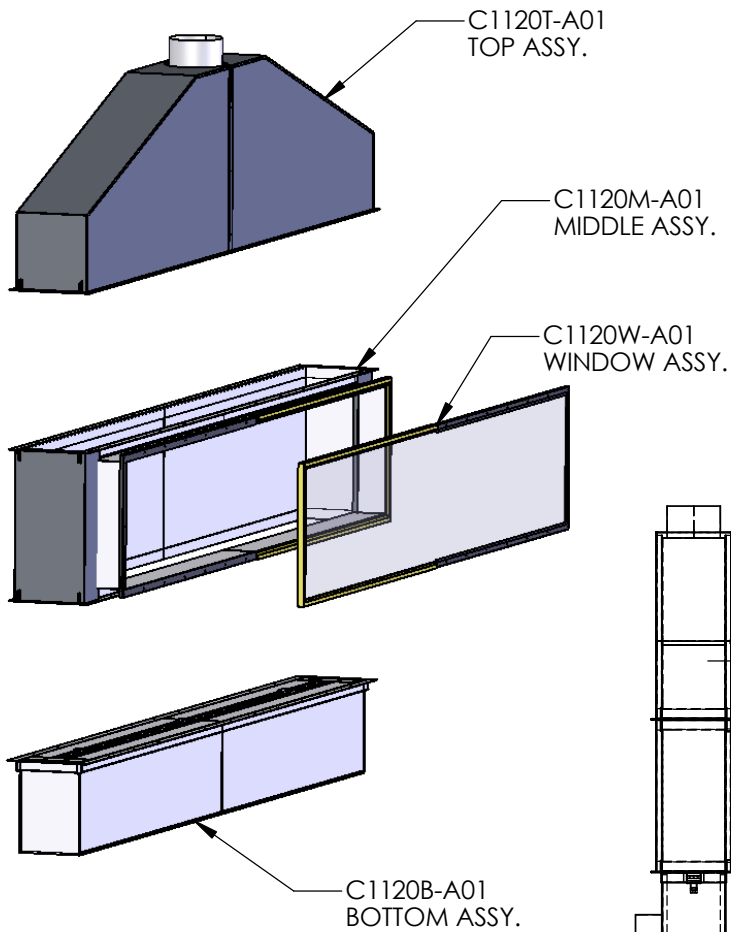


PROPRIETARY AND CONFIDENTIAL



OVER ALL ASSY  
41059 C1220 C-FIRE

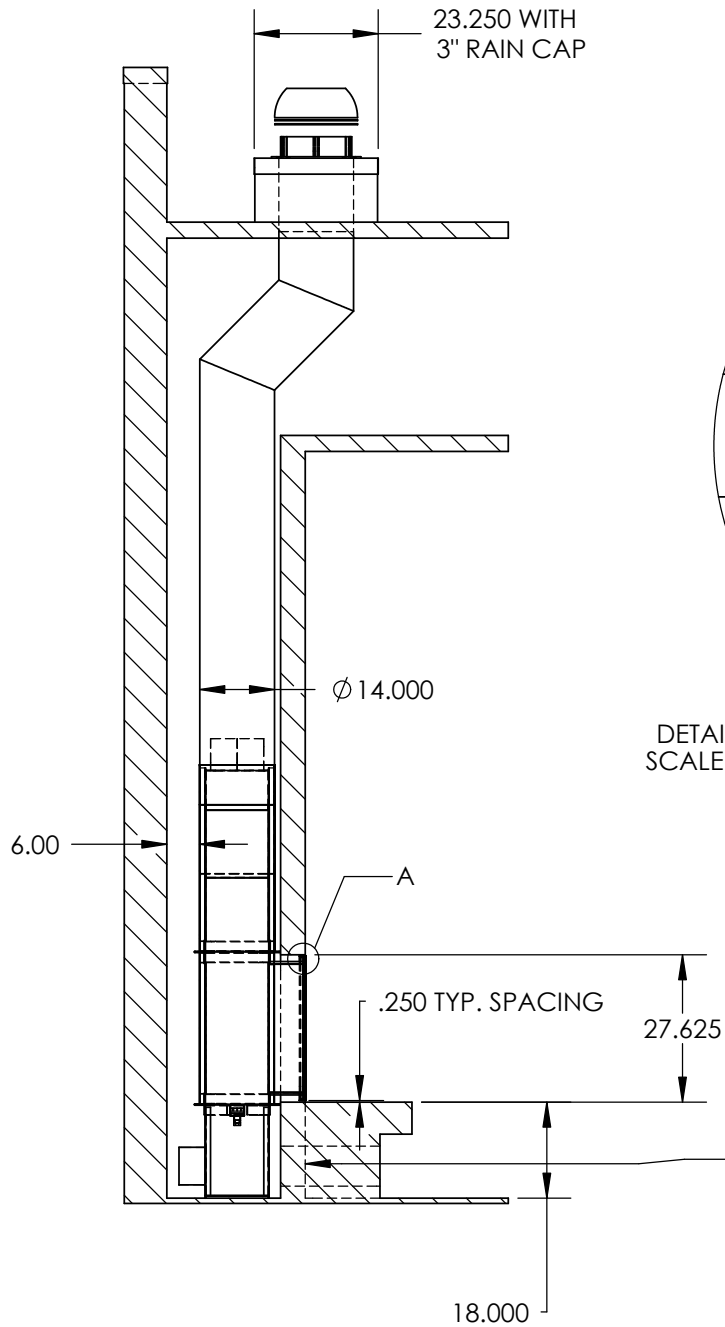
**Montigo Del Ray**

DIMENSIONS ARE IN INCHES TOLERANCES: FRACTIONAL ± 1/32" TWO PLACE DECIMAL ± .015" THREE PLACE DECIMAL ± .005" ALL BENDS ARE ASSUMED TO BE 90° UNLESS NOTED OTHERWISE.	NAME	DATE
	DRAWN	WJK 06/24/2005
	CHECKED	
	MATERIAL	
FINISH		

SIZE	DWG. NO.	REV.
A	C1120-A01	1
SCALE: 1:36	WEIGHT:	SHEET 1 OF 2

Friday, July 29, 2005 10:41:18 AM Default Z:\CADD\3EE-FIRE\41059 C-1120\C1120-A01

PROPRIETARY AND CONFIDENTIAL



DETAIL A  
SCALE 1 : 2

AIR INTAKE COLLARS. INSTALLERS MUST PROVIDE  
A MINIMUM OF 200 SQ. INCHES OF OPENING  
TO ROOM.

OVER ALL ASSY  
41059 C1220 C-FIRE

**Montigo Del Ray**

DIMENSIONS ARE IN INCHES TOLERANCES: FRACTIONAL ± 1/32" TWO PLACE DECIMAL ± .015" THREE PLACE DECIMAL ± .005" ALL BENDS ARE ASSUMED TO BE 90° UNLESS NOTED OTHERWISE.	NAME	DATE	<b>SIZE</b> <b>A</b>	DWG. NO. C1120-A01	REV. <b>1</b>	
	DRAWN	WJK				06/30/2005
	CHECKED			SCALE:1:100	WEIGHT:	SHEET 2 OF 2
	MATERIAL					
FINISH						