



Installation Operation & Maintenance

MD34-BV Homefire^{Plus} Modular Gas Fireplace

Warning:

Improper installation, adjustment, alteration, service or maintenance can cause injury or property damage. Refer to this manual. For assistance or additional information consult a qualified installer, service agency or the gas supplier.

For Your Safety:

Do not store or use gasoline or other flammable vapors and liquids in the vicinity of this or any other appliance.

- *Check local codes and read all instructions prior to installation.*
- *Leave this manual with the owner.*

What To Do If You Smell Gas:

- *Do not try to light any appliance.*
- *Do not touch any electrical switch; do not use any phone in your building.*
- *Immediately call your gas supplier from a neighbor's phone. Follow the gas supplier's instructions.*
- *If you cannot reach your gas supplier, call the fire department.*



Table Of Contents

Introduction..... 2

Installation

 Installing the Fireplace Shell 3

 Installing the Gasline..... 4

 The Remote Switch..... 4

 B-Vent Installation 4

 Construction around the fireplace

 Facing..... 5

 Mantels and Surrounds 5

 Wiring 5 - 6

 Installing the Logset 6

 Removing and Installing the Insert..... 7

 Removing and Installing the Door..... 7

Operation..... 8 - 10

Maintenance..... 10 - 11

Warranty..... 12

Appendix

 A. Spare Parts..... 13

CAUTIONS

Due to its high operating temperatures, the appliance should be located out of traffic & away from furniture and draperies.

- Children and adults should be alerted to the hazards of the high surface temperature, which could cause burns or clothing ignition.
- Young children should be carefully supervised when they are in the same room as the appliance.
- Clothing or other flammable materials should not be placed on or near the appliance.

Introduction

About this fireplace:

Thank you for choosing a Montigo Gas Fireplace. The **MD34-BV** features a dual burner with glowing embers and a realistic fibre logset. The MD34 is available in two versions:

- **MD34-BV** -- Standard (Continuous) Pilot
- **MD34-BV-I** -- Intermittent (Electronic) Pilot

The MD34-BV is certified in Canada and the USA as a **Vented Gas Fireplace Heater** (ANSI Z21.88-2000· CSA 2.33-2000) and is rated for:

<i>Natural Gas</i>	21,500 BTU/H (6.30 Kilowatts) Input
	15,050 BTU/H (5.13 Kilowatts) Output
<i>Propane</i>	21,500 BTU/H (6.30 Kilowatts) Input
	15,050 BTU/H (4.41 Kilowatts) Output

How to use this manual:

This manual covers all models and unless otherwise specified, the designation MD34-BV refers to all models. Sections which are specific to a particular model are marked with symbol, plus the appropriate model number.

Warranty and Installation Information:

The Montigo warranty will be voided by, and Montigo disclaims any responsibility for, the following actions:

- Modification of the fireplace and/or components including Direct-Vent assembly or glass doors.
- Use of any component part not manufactured or approved by Montigo in combination with this Montigo fireplace system.
- Installation other than as instructed in this manual.

Consult your local Gas Inspection Branch on installation requirements for factory-built gas fireplaces. Installation & repairs should be done by a qualified contractor.

Installations in Canada must conform to the current **CAN/CGA B-149.1** and **.2** Gas Installation Code and local regulations. If the optional air-circulating fan kit is installed, it must be electrically grounded in accordance with **CSA C22.1** Canadian Electrical Code Part 1 and/or Local Codes.

Installations in the USA must conform to local codes, or in the absence of local codes to the National Fuel Gas Code, **ANSI Z223.1-1988**. If the optional air-circulating fan is installed, it must be grounded in accordance with local codes or, in the absence of local codes, with the National Electrical Code, **ANSI/NFPA 70-1987**.

Installation

Installing The Fireplace Shell

The fireplace may be installed in any location that maintains proper clearances to air conditioning ducts, electrical wiring and plumbing. Safety, as well as efficiency of operation, must be considered when selecting the fireplace location. Try to select a location that does not interfere with room traffic, has adequate ventilation, and offers an accessible pathway for Vent and Combustion Air installation. Refer to page 4 - *Vent Installation* for more information.

The fireplace dimensions are shown below:

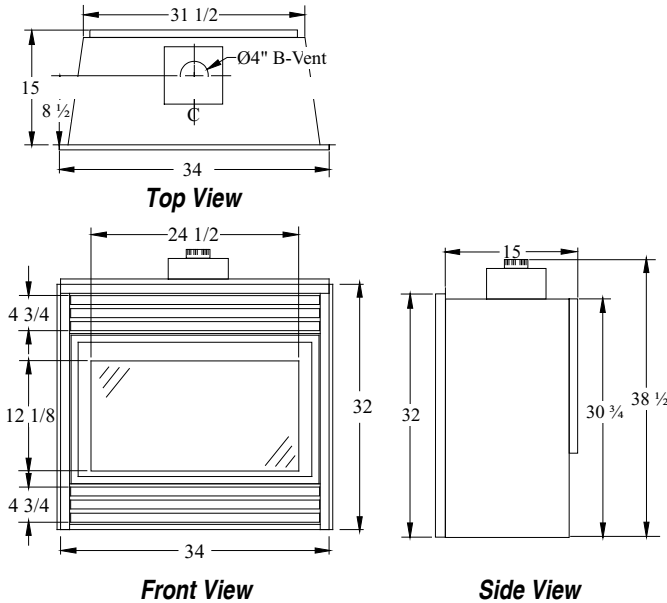


Figure 1. Fireplace dimensions.

Clearances

The MD34-BV clearances to combustible materials are:

Top*	16"
Back	0"
Side	1"
Floor	0"
Mantle**	9"
B-Vent***	See Notes

* Clearance from the top of the fireplace to a combustible ceiling within the fireplace enclosure.

** Refer to page 5.

*** Use clearances specified by the manufacturer of the B-Vent.

Unprotected combustible walls which are perpendicular to the fireplace opening, must not project beyond the shaded area shown in Figure 5b.

For protection against freezing temperatures, it is recommended that outer walls of the chase be insulated with a vapour barrier. This will reduce the possibility of a cold-air convection current on the fireplace.

Framing

* When sheetrock is not used behind the fireplace, framing depth may be reduced to 15"

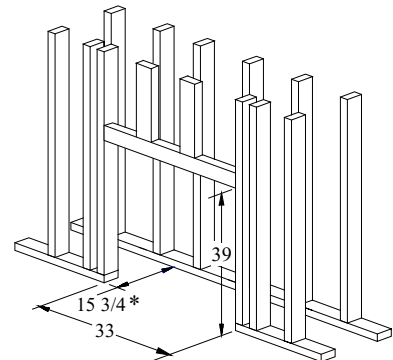


Figure 2. Framing dimensions.

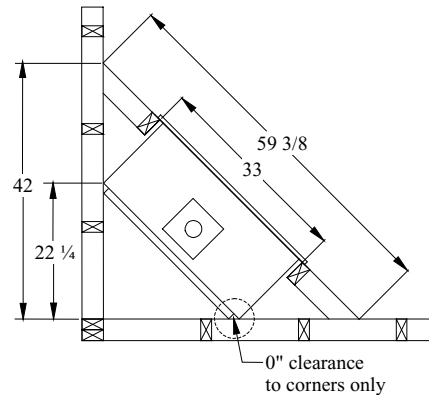


Figure 3. Corner framing dimensions.

Installing a Shelf Over the Fireplace

When installing a shelf over the top of the fireplace, the minimum allowable clearance from the top of the fireplace to a shelf is 16". (Prop-er clearance must be maintained around the vent pipes, as specified by the B-Vent manufacturer.)

WARNING:

When this appliance is installed directly on carpeting, tile or any combustible material other than wood flooring, it must be installed on a metal or wood panel extending the full width and depth of the appliance.

Installation

Installing The Gas Line

The gas line must be installed before finishing the MD34-BV Fireplace. **Natural Gas** requires a minimum inlet gas supply pressure of 5.5" W.C. & a manifold pressure of 3.5" W.C. **Propane Gas** requires a minimum inlet gas supply pressure of 11" W.C. & a manifold pressure of 10" W.C. Provision must also be made for a 1/8" N.P.T. plugged tapping and be accessible for test gauge connection immediately upstream of the gas supply controls to the appliance. The fireplace gas connection and the main operating gas valve is located behind the removable brass trim at the bottom of the unit and need only be attached to the gas line with an approved fitting, as required by the applicable installation codes.

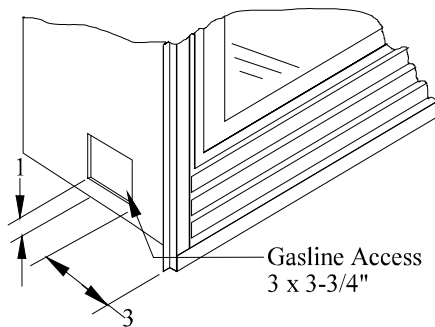


Figure 4. Gas line access.

During any pressure testing of the gas supply piping that exceeds 1/2 psig (3.5 kPa), the appliance and its individual shutoff valve must be **disconnected** from gas supply system.

When pressure testing the gas supply piping system at test pressures of less than or equal to 1/2 psig (3.5 kPa), the appliance must be **isolated** from the gas supply piping system by closing its individual manual shutoff valve.

Note: After gas line is connected, **each appliance connection, valve and valve train** must be checked while under normal operating pressure with either a liquid solution, or leak detection device, to locate any source of leak. Tighten any areas where bubbling appears or leak is detected until bubbling stops completely or leak is no longer detected. **DO NOT use a flame of any kind to test for leaks.**

Installing The Remote Switch

The MD34-BV's gas valve, located behind the lower brass trim, may be connected to a wall switch. The valve generates its own power on a **millivolt circuit**. Use only low voltage wire, and **DO NOT** connect any external power to it.

Refer to Figure 12 for wiring requirements.

Note: The switch location must not exceed 30' from the fireplace.

B-Vent Installation

The MD34-BV is certified for use with standard 4" B-Vent and requires no B-Vent appliance connector. Simply attach the B-Vent to the fireplace flue collar, and secure it using 1/4" sheet metal screws. Do not penetrate the inner sleeve of the B-Vent when tightening the screws.

Refer to the current **CAN/CGA B-149.1** and **.2** or **ANSI Z223.1-1988 Gas Installation Code** for specific vent sizing.

CAUTION:

- Test your B-Vent installation after completion to ensure that no combustible by-products are spilling from the fireplace opening. This draft test should be performed after a three(3) minute warm up period. The manufacturer will not be responsible for any installations with inadequate draw.

Installation

Finishing Around the Fireplace

Combustible mantels and mouldings may be safely installed over the top and on the front of the fireplace provided that they do not project beyond shaded area shown in **Figure 5a**. Side wall clearances are 3". Combustible surrounds may be installed with 3" clearance to the side of the fireplace as shown in **Figure 5b**.

Fireplace Facing

When selecting the finish material for your fireplace, it is important to remember the following: **BRASS TRIMS MUST NOT BE OBSTRUCTED IN ANY WAY - to do so restricts the air supply for the control compartments and heat exchanger it also prevents access for servicing controls.**

The face of the fireplace may be painted to match the room decor, provided you use a heat-resistant paint. Decorative facing must not extend past the fireplace opening at all, because it will interfere with the access to retainers for removal of glass door.

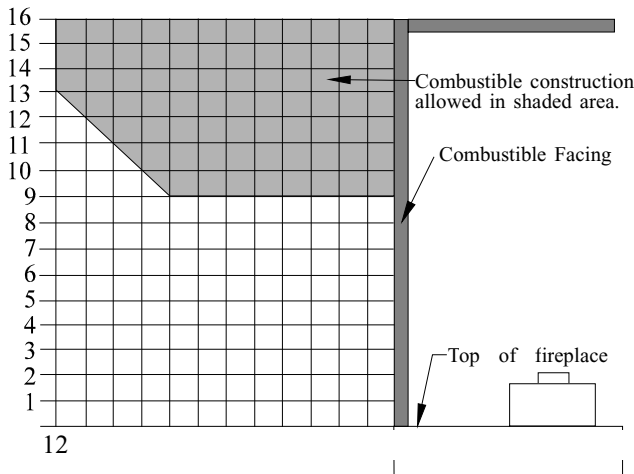


Figure 5a. Combustible mantles and facings.

Mantels & Surrounds

NOTE: National Canadian Gas Association mantel test requirements are for fire hazard prevention to combustible materials.

New technology, to meet consumer and government demands for the wise use of energy, has prompted us to manufacture many models of fireplaces which are hot, fuel and energy efficient.

Please be aware; temperatures over the mantel will rise above normal room temperature and walls above fireplace may be hot to touch.

We recommend careful consideration be given to the effects of elevated mantel temperatures which may be in excess of product design, for example: candles, plastic or pictures. This can cause melting, deformation, discoloration or premature failure of T.V. and radio components.

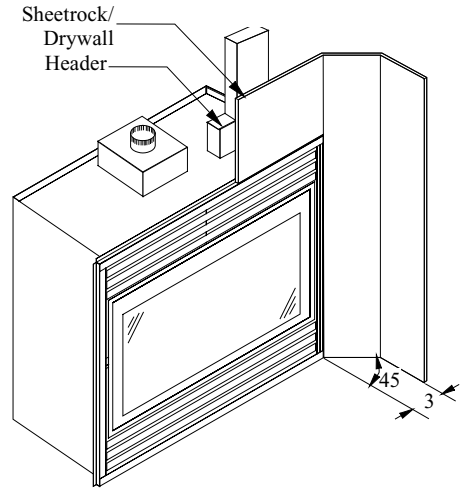


Figure 5b. Combustible surrounds.

Painting:

Special care is recommended by the Master Painters and Decorators Association, when painting the fireplace surrounds, to select and apply a quality **Alkyd sealer** prior to the applying of latex paints. This is to prevent leaching of water from evaporation and causing a brownish staining effect to paint over coats.

Wiring

Gas Control and Pilot Wiring

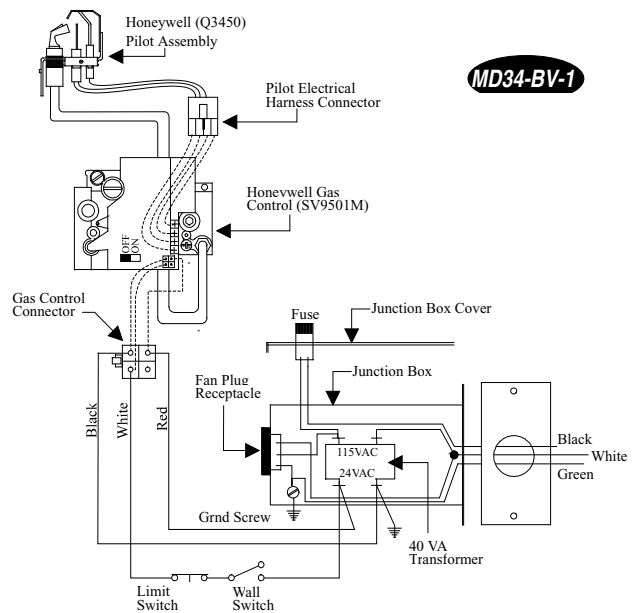


Figure 6. Wiring for the MD34-BV-1 with Honeywell gas control and pilot.

Installation

Wiring for the optional Fan Kit

All M34 Series Modular fireplaces may be equipped with optional fan or blower kits for circulating heat into the living space.

Installations in Canada which employ the fans or blowers must be electrically grounded in accordance with **CSA C22.1** Canadian Electrical Code Part 1 and/or Local Codes.

Installations in the USA which employ the fans or blowers must be grounded in accordance with local codes or, in the absence of local codes, with the National Electrical Code, **ANSI/NFPA 70-1987**.

For more information see the **Fan Kit Installation Guide** included with the fan kit.

NOTE: If any of the original wire supplied with the appliance is replaced, it must be replaced with the same type, or its equivalent.

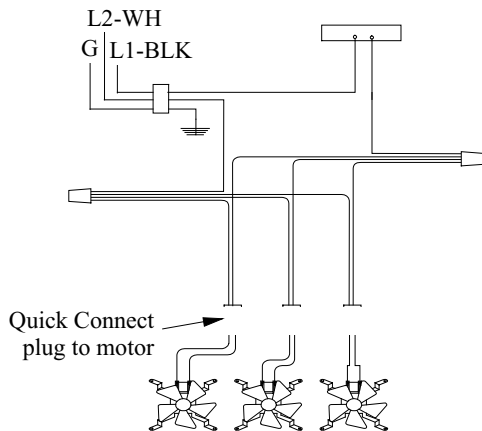


Figure 7a. Wiring for optional air circulating fan kit.

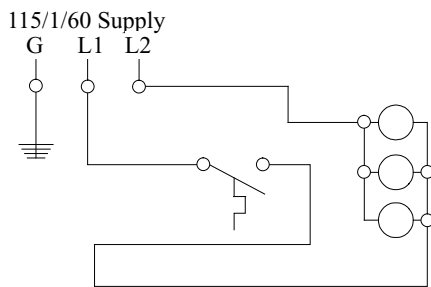


Figure 7b. Wiring schematic for optional fan kit.

Installing the Log Set

The **ME34-BV** is supplied with four (4) soft fibre logs. Logs "A" and "B" are permanently attached to a fibre base, which is pre-installed by the factory. To install the two small logs ("C" and "D"), simply place them onto their mating positions as shown in figure 8a below. When log set is installed it should look like figure 8b.

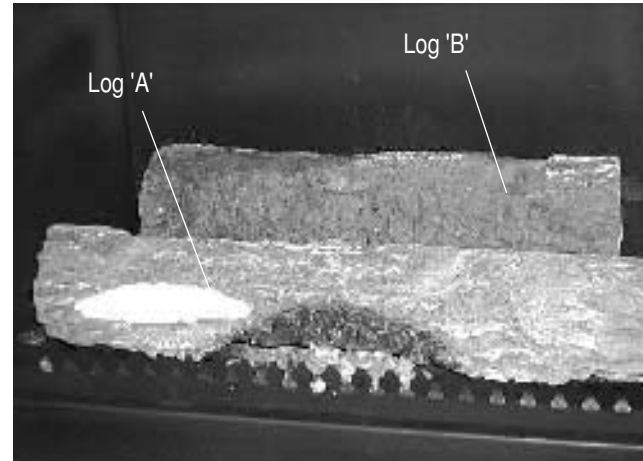


Figure 8a. Logs 'A' and 'B' shown in factory-installed positions.

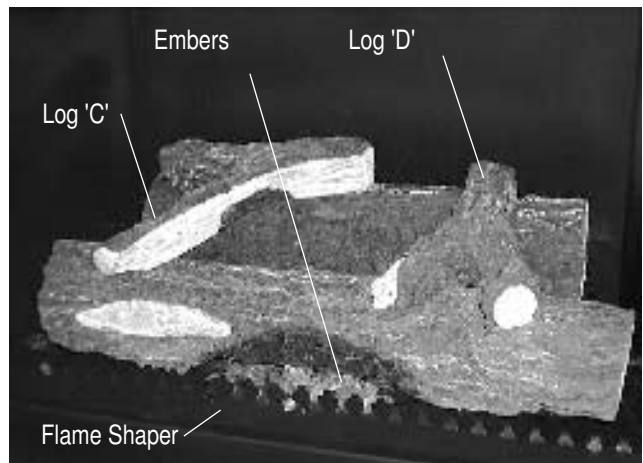


Figure 8b. Completed log installation. Logs 'C' and 'D' are placed in their mating positions, and embers are in place.

Placing the Embers:

The **ME34-DV** is supplied with a small bag of embers. Place the ember material along the middle of the burner between the flame shaper and log 'A'. Do not let the ember material fall behind the burner tube.

NOTES:

- If logs are not placed properly, excessive sooting will result.
- The surface of the logs will crack due to the heat from the flames. This is a normal occurrence.

Installation

Removing and Installing the Insert

You may **remove the insert** to protect it from theft and damage during construction.

1. Remove the two machine screws (1 left & 1 right) at the top of the insert that attach the insert to the shell. *See Inset 1.*
2. Remove the fresh air flex from the collars on the shell. *See Figure 9. Important: Be careful not to damage the fresh air flex during removal or storage.*
3. Remove the 4 machine screws that hold the venting plate to the insert.
4. Remove the insert by tipping the top of the insert outward and lifting the tabs past the slots in the bottom of the shell. *See Inset 2.*

Store the screws and clamps in a safe place to ensure that they are not lost.

To **re-install the insert** simply reverse the steps above.

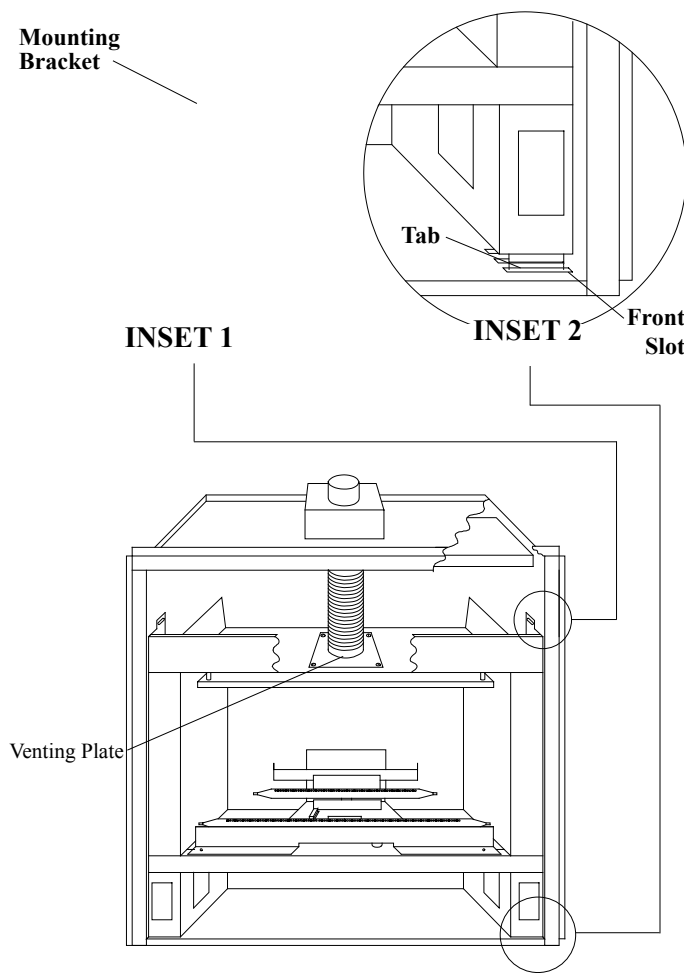


Figure 9. MD34-BV insert.

Removing and Installing the Door

Removing the door surround:

The door surround is held in place by two metal clips at the top, and one magnet on each side. To remove the surround, pull the bottom outwards and lift upwards until the slots "A" are clear of tabs "B" in the door. You may need to use a flat screwdriver to pull the door surround outwards. (*See figure 10a*).

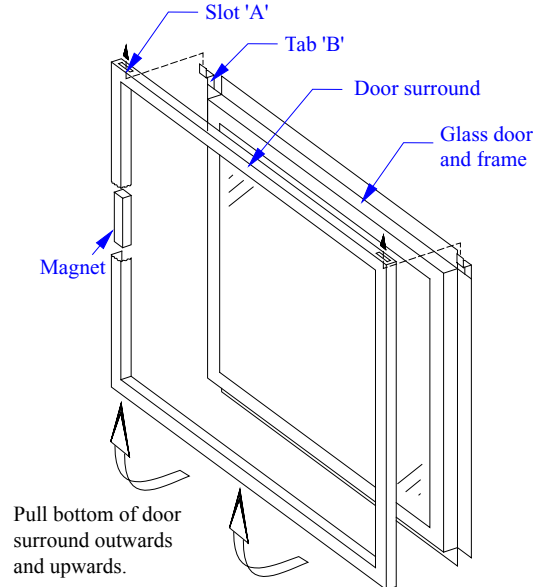


Figure 10a. Removing or installing the door surround.

Removing the door:

Remove the machine screws along the top of the door, and then pull the door outwards and upwards until it is clear of the door rail. (*See figure 10b*). Ensure that a good seal is maintained when installing the door.

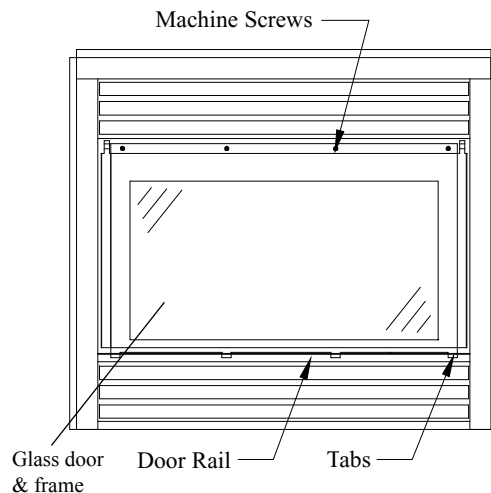


Figure 10b. Removing or installing the glass door.

Operation - Model MD34-BV




with Continuous Pilot

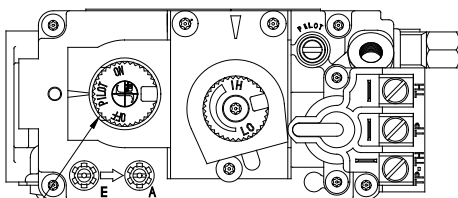
For Your Safety - READ BEFORE LIGHTING:

WARNING: If you do not follow these instructions exactly, a fire or explosion may result causing property damage, personal injury or loss of life.

- A.** This appliance has a pilot which must be lighted by hand. When lighting the pilot, follow these instructions exactly.
- B. BEFORE LIGHTING** smell all around the appliance area for gas. Be sure to smell next to the floor because some gas is heavier than air and will settle on the floor.
- What To Do If You Smell Gas:**
- Do not try to light any appliance.
 - Do not touch any electrical switch; do not use any phone in your building.
 - Immediately call your gas supplier from a neighbour's phone. Follow the gas supplier's instructions.
- C.** Use only your hand to push in or turn the gas control knob. Never use tools. If the knob will not push in or turn by hand, don't try to repair it, call a qualified service technician. Force or attempt to repair may result in a fire or explosion.
- D.** Do not use this appliance if any part has been under water. Immediately call a qualified service technician to inspect the appliance and to replace any part of the control system, and any gas control which has been under water.
- If you cannot reach your gas supplier, call the Fire Department.

Lighting Instructions:


1. **STOP!** Read the safety information above on this label.
2. Flip down lower trims.
3. Push in gas control knob and turn clockwise  to "OFF."
4. Wait five (5) minutes to clear out any gas. Smell for gas, including near the floor. If you then smell gas, **STOP!** Follow "B" in the safety information above on this label. If you don't smell gas, go to the next step.
5. Locate pilot burner (*See illustration at right.*) and follow steps below.
6. Turn knob on gas control counterclockwise  to "PILOT."
7. Push in gas control knob completely and hold. Light with Piezo Igniter button. Continue to hold the control knob in for about (1) minute after the pilot is lit. Release the knob and it will pop back up. Pilot should remain lit. If it goes out repeat steps 3 through 8.
 - If knob does not pop up when released. Stop and immediately call your service technician or gas supplier.
 - If the pilot will not stay lit after several tries, turn the gas control knob to "OFF" and call your service technician or gas supplier.
8. Push in gas control knob and turn counterclockwise  to "ON."
9. Flip up lower trim.
10. Turn on remote switch to ignite fire.



Gas Control Knob
(Shown in "Pilot" position.)

NOTE: Knob cannot be turned from "PILOT" to "OFF" unless knob is pushed in slightly. Do not force.

To Turn Off Gas To Appliance:

1. Turn off remote switch.
2. Flip down lower trim.
3. Push in gas control knob slightly and turn  clockwise to "Off". Do not force.
4. Flip up lower trim.

Operation - Model MD34-BV-I

with Electronic (Intermittent) Ignition

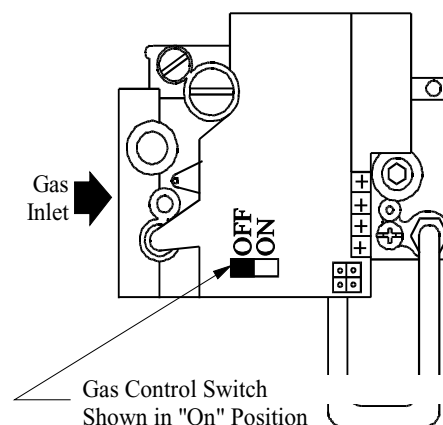
For Your Safety - READ BEFORE LIGHTING:

WARNING: If you do not follow these instructions exactly, a fire or explosion may result causing property damage, personal injury or loss of life.

- A.** This appliance is equipped with an ignition system that lights the pilot burner automatically. **Do not attempt to light the pilot by hand.**
- B. BEFORE LIGHTING** smell all around the appliance area for gas. Be sure to smell next to the floor because some gas is heavier than air and will settle on the floor.
- What To Do If You Smell Gas:**
- Do not try to light any appliance.
 - Do not touch any electrical switch; do not use any phone in your building.
 - Immediately call your gas supplier from a neighbour's phone. Follow the gas supplier's instructions.
- If you cannot reach your gas supplier, call the Fire Department.
- C.** Use only your hand to push in or turn the gas control knob. Never use tools. If the knob will not push in or turn by hand, don't try to repair it, call a qualified service technician. Force or attempt to repair may result in a fire or explosion.
- D.** Do not use this appliance if any part has been under water. Immediately call a qualified service technician to inspect the appliance and to replace any part of the control system, and any gas control which has been under water.

Lighting Instructions:

1. **STOP!** Read the safety information above on this label.
2. Flip down lower trims.
3. Turn switch on the gas control to "OFF".
4. Wait 5 minutes to clear out any gas. If you smell gas, **STOP!** Follow "B" in the safety information above on this label. If you don't smell gas, go to the next step.
5. Turn switch on the gas control to "ON". **NOTE:** This unit is equipped with an ignition system that lights the pilot burner automatically. **Do not attempt to light the pilot by hand.**
6. Turn on wall switch.
7. Flip up lower trim.
8. If the fireplace does not operate, follow the instructions "To Turn Off Gas To Appliance" and call your service technician or gas supplier.



To Turn Off Gas To Appliance:

1. Turn off remote switch.
2. Flip down lower trim.
3. Turn the switch on the gas control to "Off".
4. Flip up trim.

Operation

Lighting Instructions

See pages 8 and 9.

Burner Adjustment

The MD34-DV fireplace is equipped with an adjustable burner, allowing you to raise or lower the flames. Operating the control knob as described below will adjust both the main burner and the ember burner.

- To raise the flame height, turn the black knob (located behind the lower trim) **counterclockwise**.
- To lower the flame height, turn **clockwise**.

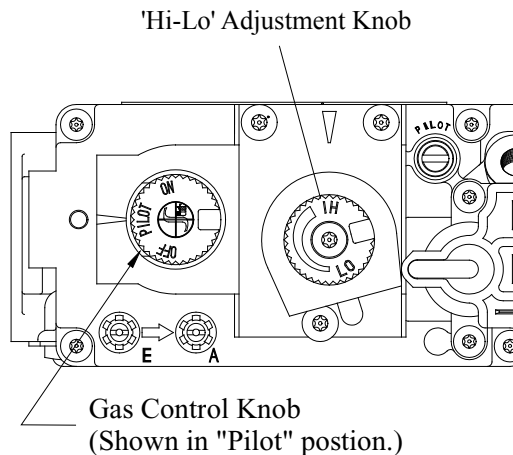


Figure 11. 'Hi-Lo' Adjustment on Model MD34-BV gas valve.

Maintenance

CAUTIONS

- Fireplace gas control must be in the "OFF" position and pilot and main burners extinguished when cleaning appliance with a vacuum.
- Doors and logs can get very hot. Handle only when cool.

General

- Have the fireplace installation inspected yearly, including a visual check of the vent system, the burner and the pilot flame. For your convenience a 1/8" manifold pressure tap is supplied on the gas valve for a test gauge connection. See Figure 12.
- For **Natural Gas** this appliance requires a minimum inlet pressure of 5.5" W.C. and a manifold pressure of 3.5" W.C.
- For **Propane Gas** this appliance requires a minimum inlet pressure of 11" W.C. and a manifold pressure of 10" W.C.
- Always keep the fireplace area clear and free of combustible materials, as well as gasoline and other flammable vapours and liquids.
- Do not use this appliance if *any part has been under water*. Immediately call a qualified service technician to inspect the appliance and to replace any part of the control system and any gas control which has been under water.

Cleaning

When the fireplace is first activated, there may be some smoking and a visible film may be left on the glass. This is a normal condition, and is the result of burning of protective coatings on new metal.

- Glass must be cleaned periodically to remove any film (which is a normal byproduct of combustion) which may be visible. Film can easily be removed by removing the door, as shown on page 7. Handle the door carefully, and clean it with non-abrasive glass cleaners. One of the most effective products is Kel Kem.
- Silicone seals on inner door during initial firing will "off gas", leaving a visual deposit of a white substance on combustion chamber walls. This can easily be removed using normal household products.
- Use a vacuum cleaner or whisk broom to keep the control compartment, burner, and firebox free from dust and lint.
- Logs may be cleaned periodically with a vacuum to remove soot or other contaminants. Do not attempt to move the 2 large logs when cleaning. They are extremely fragile and will break easily.

WARNING:

- Do not attempt to clean glass when hot.
- Do not clean glass with abrasive materials as any glass etching may cause premature glass failure.

Maintenance

Gas Control Valve

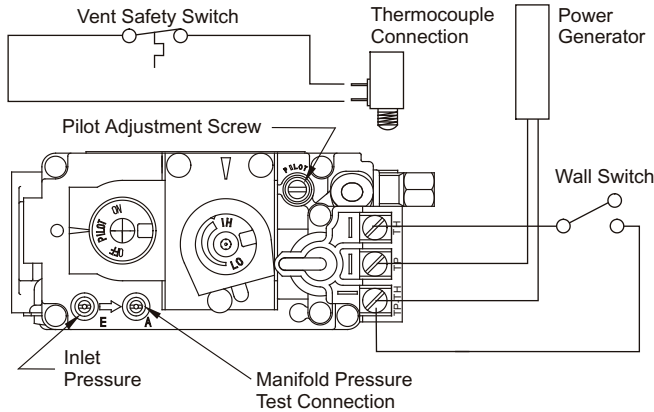


Figure 12. *Sit Nova 820* gas valve.

Pilot Burner Adjustment

1. Locate Pilot Adjustment Screw. (See figure 12.)
2. Adjust pilot screw to provide properly sized flame as shown in figure 13).
3. After installing or servicing, leak test with a soap solution with main burner on. Coat pipe and tubing joints, gasket etc. with soap solution. Bubbles indicate leaks. Tighten any areas where the bubbles appear until the bubbling stops completely.

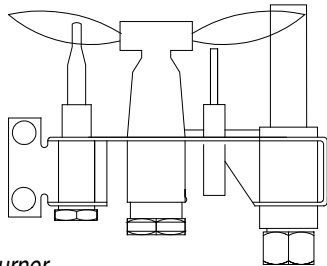


Figure 13. Pilot Burner

Troubleshooting MD34-BV

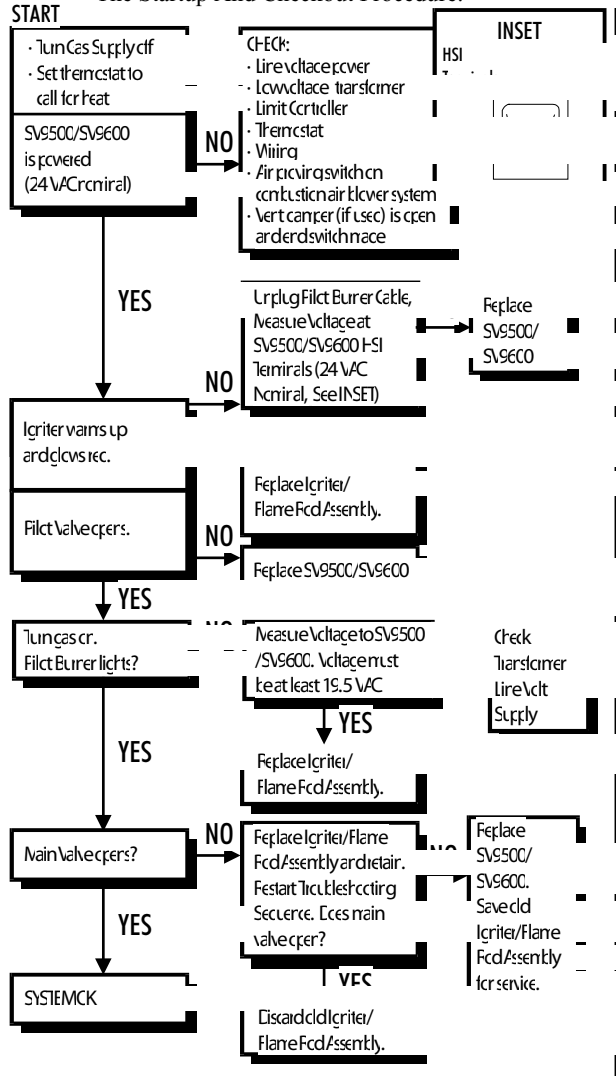
The following is a troubleshooting chart of possible problems:

PROBLEM	CORRECTIVE ACTION
Noisy Pilot Flame	Locate pilot adjustment screw on gas control valve. Flame is decreased by turning adjustment screw clockwise.
Pilot won't ignite	Disconnect remote wires and try to light pilot. If pilot now works, remote connections are faulty. Check wiring diagram figure 12.
Main burner will not light	1. Check wiring (see figure 12). 2. Check wall switch for proper connection.

Troubleshooting MD34-BV-I

HONEYWELL SV 9500 /SV9600 Troubleshooting Sequence

NCTE: Before Troubleshooting, Familiarize Yourself With The Startup And Checkout Procedure.



If your fireplace still does not operate correctly, consult your dealer or the manufacturer.

All service and repairs should be performed by a qualified agency.

All spare parts, optional fans (see optional fan instruction guide), and optional trim finishes are available from the manufacturer or your local dealer.

Warranty

The Warranty

The Companies warrants the Montigo Gas Appliance to be free from defects in materials and workmanship at the time of manufacture. On the Montigo, there is a ten-year warranty on the firebox and its components, a five-year warranty on the main burner and pilot burner, and a one-year warranty on the gas control valve and fibre logs. Glass, plated/painted finishes, and refractory lining are exempt.

Remedy And Exclusions

The coverage of this Warranty is limited to all components of the Gas Appliance manufactured by The Companies.

This Warranty only covers Montigo Gas Appliances installed in the United States or Canada.

If the components of the Gas Appliance covered by this Warranty are found to be defective within the time frame stated (see The Companies right of investigation outlined below). The Companies will, at its option, replace or repair defective components of the Gas Appliance manufactured by The Companies at no charge, and will also pay for reasonable labour costs incurred in replacing or repairing components. If repair or replacement is not commercially practical, The Companies will, at its option, refund the purchase price of the Montigo Gas Appliance.

This Warranty covers only parts and labour as provided above. In no case shall The Companies be responsible for materials, components, or construction which are not manufactured or supplied by The Companies, or for the labour necessary to install, repair or remove such materials, components or construction. All replacement or repair components will be shipped F.O.B. the nearest The Companies factory.

Qualifications To The Warranty

The Gas Appliance Warranty outlined above is further subject to the following qualifications:

- (1) The Gas Appliance must be installed in accordance with The Companies installation instructions and local building codes. The Warranty on this Montigo Gas Appliance covers only the component parts manufactured by The Companies. The use of components manufactured by others with this Montigo Gas Appliance could create serious safety hazards, may result in the denial of certification by recognized national safety agencies, and could be in violation of local building codes. This warranty does not cover any damages occurring from the use of any components not manufactured or supplied by The Companies
- (2) The Montigo Gas Appliance must be subjected to normal use. The Gas Appliances are designed to burn gas only. Burning conventional fireplace fuels such as wood, coal or any other solid fuel will cause damage to the Gas Appliance, will produce excessive temperatures and will result in a fire hazard.

Limitations On Liability

It is expressly agreed and understood that The Companies sole obligation, and purchaser's exclusive remedy under this Warranty, under any other warranty, expressed or implied, or in contract, tort or otherwise, shall be limited to replacement, repair, or refund, as specified above.

In no event shall The Companies be responsible for any incidental or consequential damages caused by defects in its products, whether such damage occurs or is discovered before or after replacement or repair, and whether or not such damage is caused by The Companies negligence. Some states do not allow the exclusion or limitation of incidental or consequential damages, so the above limitation or exclusion may not apply to you. The duration of any implied warranty with respect to this Montigo Gas Appliance is limited to the duration of the foregoing warranty. Some states do not allow limitation on how long an implied warranty lasts, so the above may not apply to you.

Investigation Of Claims Against Warranty

The Companies reserves the right to investigate any and all claims against this Warranty and to decide upon method of settlement.

The Companies Are Not Responsible For Work Done Without Written Consent

The Companies shall in no event be responsible for any warranty work done without first obtaining The Companies written consent.

Dealers Have No Authority To Alter This Warranty

The Companies employees and dealers have no authority to make any warranties nor to authorize any remedies in addition to or inconsistent with those stated above.

How To Register A Claim Against Warranty

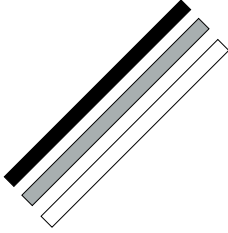
In order for any claim under this Warranty to be valid, The Companies must be notified of the claimed defect in writing or by telephone, as soon as reasonably possible after the defect is discovered. Claims against this Warranty in writing should include the date of installation, and a description of the defect.

Other Rights

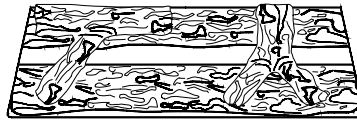
Canadian Heating Products Inc. and/or Montigo DelRay Corp. reserves the right to make changes at any time, without notice, in design, materials, specifications, prices and also to discontinue colors, styles and products.

Appendix A - Spare Parts

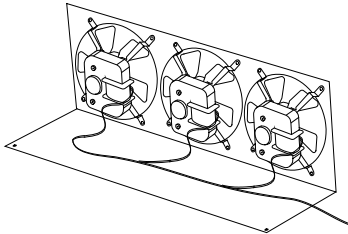
1



2



3



4

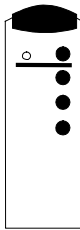
Spare / Replacement Parts:

- 1. Horizontal Trim Kits
- 2. 4-piece fibre logset

Available Options and Accessories:

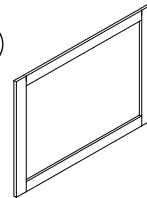
- 3. 3-Fan Pack
- 4. Variable Speed Blower Kit
- 5. Hand-Held Remote Control
- 6. 3-Piece Picture Frame Surround (PFO)
- 7. 4-Piece Picture Frame Surround (PFS)
- 8. Door Cover, Square (DF0)
- 9. Door Cover, Arched (DFA)

5

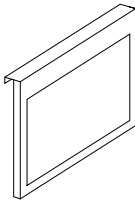


6

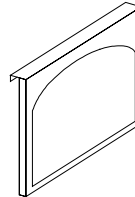
7



8



9





XG0305 Rev. 03 - 09/2002

Canadian Heating Products Inc.
Langley, BC V4W 4A1

Montigo Del Ray Corp.
Ferndale, WA 98248