



MONTIGO

INSTALLING AND OPERATING YOUR MONTIGO GAS-BURNING FIREPLACE

Please leave this manual with the owner

CHECK LOCAL CODES PRIOR TO INSTALLATION

FOR YOUR SAFETY

IF YOU SMELL GAS:

1. OPEN WINDOWS.
2. DON'T TOUCH ELECTRICAL SWITCHES.
3. EXTINGUISH ANY OPEN FLAME.
4. IMMEDIATELY CALL YOUR GAS SUPPLIER.

FOR YOUR SAFETY:

DO NOT STORE OR USE ANY FLAMMABLE VAPOURS OR LIQUIDS NEAR THIS OR ANY OTHER GAS-BURNING APPLIANCE.

READ INSTRUCTIONS CAREFULLY BEFORE INSTALLING

**MODEL
MONTIGO 28F-3**



CANADIAN HEATING PRODUCTS INC.

INTRODUCTION

The **Montigo 28F-3** is rated at 30,000 BTUs.

The Montigo warranty will be voided by, and **Montigo** disclaims any responsibility for, the following actions:

- Modification of the fireplace and/or components including B-vent assembly or glass doors.
- Use of any component part not manufactured or approved by Montigo in combination with a Montigo fireplace system.
- Installation other than as instructed in this manual.

Consult your local Gas Inspection Branch about the particular requirements concerning installation of factory-built gas fireplaces. **All work should be done by a qualified contractor, and installation must conform with the current CAN/CGA B-149.1 Gas Installation Code and local regulations.**

The fireplace is not intended to be used as a substitute for a furnace to heat an entire home. Use for supplemental heating only.

CAUTIONS

- Due to its high operating temperatures, the appliance should be located out of traffic & away from furniture and draperies.
- Children and adults should be alerted to the hazards of the high surface temperature, which could cause burns or clothing ignition.
- Young children should be carefully supervised when they are in the same room as the appliance.
- Clothing or other flammable materials should not be placed on or near the appliance.

SELECTING YOUR FIREPLACE LOCATION

The fireplace may be installed in any location that is free of air condition ducts, electrical wiring and plumbing. Safety, as well as efficiency of operation, must be considered when selecting the fireplace location. Try to select a location that does not interfere with room traffic, has adequate ventilation, and offers an accessible pathway for B-Vent installation.

The fireplace dimensions are shown below:

NOTE: These are not framing dimensions (see figure 2 for framing dimensions).

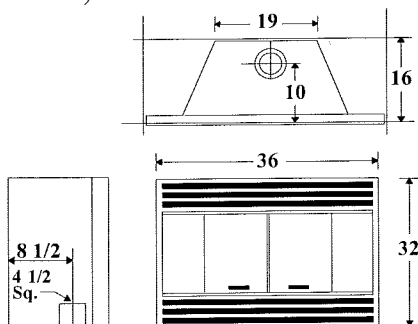


FIGURE 1. FIREPLACE DIMENSIONS

INSTALLING THE FIREPLACE

The **Montigo 28F-3** clearances to combustible materials are 0" back 1" sides, 0" floor and 4" top, the **Montigo 28F-3** must not be installed any closer than 8 inches to any unprotected combustible wall perpendicular to the fireplace opening.

For the protection against freezing temperatures, it is recommended that the outer walls of the chase be insulated with a vapour barrier. This will reduce the possibility of a cold-air convection current on the fireplace.

The B-vent system requires clearance of 1" minimum air space.

The framing dimensions are shown below:

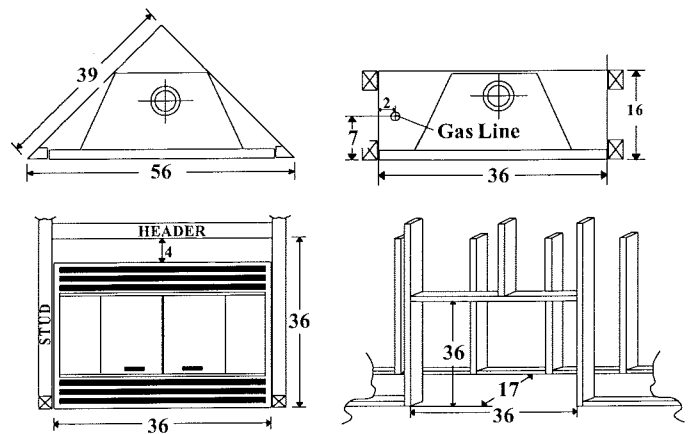


FIGURE 2. FRAMING DIMENSIONS

INSTALLING THE GAS LINE

The gas line must be installed before finishing the **Montigo 28F-3** fireplace. The gas control valve (which is mounted behind the removable grille at the bottom of the unit), is connected to the gas line through the access opening which is provided on the left side.

CAUTIONS

*After gas line is connected, it is a Can/CGA B149. code requirement (Section 8.25.3 (e)) that "each appliance connection, valve, valve train, shall be checked while under normal operating pressure with either a liquid solution, or leak detection device, to locate any source of leak." Tighten any areas where bubbling appears or leak is detected until bubbling stops completely. **DO NOT** use a flame of any kind to test for leaks.

INSTALLING THE REMOTE SWITCH

The **Montigo 28F-3** is equipped with a remote-operated valve, located behind the removable grille, to the right of the gas control valve. (Refer to Figure 5 on the last page.) The valve is pre-wired and completely self-contained and self-powered: **DO NOT** connect any external power to it.

FIREPLACE MANTLE AND FACING

Combustible mantles may be safely installed over the top of the fireplace, provided they do not project beyond a line from point **A** to point **B**, as illustrated in the left side of Figure 3 below. Combustible materials may also be installed next to the sides of the fireplace, as illustrated in the right side of Figure 3.

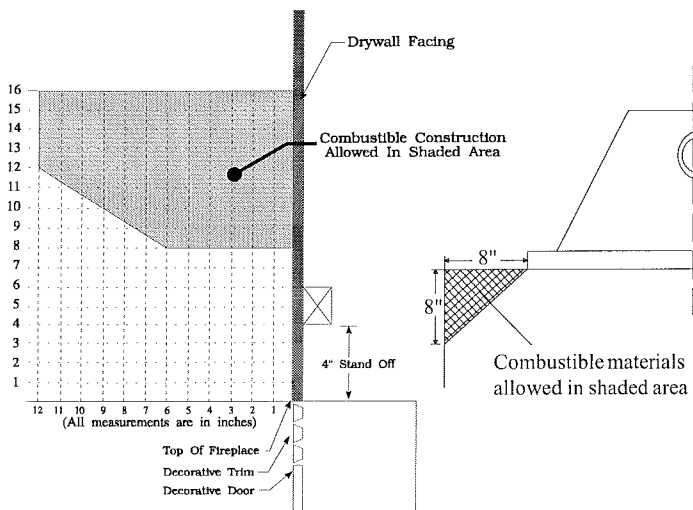


FIGURE 3. COMBUSTIBLE FACINGS

When selecting the finish material for your fireplace, it is important to remember the following: **GRILLES MUST NOT BE OBSTRUCTED IN ANY WAY; to do so restricts the air supply for the control compartments and also prevents access for servicing controls.**

The face of the fireplace may be painted to match the room decor, provided you use a heat-resistant paint. Decorative facing must not extend past the fireplace opening at all, because it will interfere with the operation of the glass doors.

HEARTH EXTENSION

If there is a combustible floor construction in front of the fireplace, a hearth extension is recommended to protect it. The hearth extension must project a minimum of 6" beyond the sides of the fireplace opening and a minimum of 12" in front of it (see figure 4). The hearth extension must be made from a non-combustible material, such as tile, slate, marble, etc. Consult your local Gas Inspection Branch should you decide to install your gas fireplace without a hearth extension.

INSTALLATION OF B-VENT

Montigo 28F-3 requires no appliance connector and uses **5" B-Vent**. Fasten the B-Vent to the L-shaped brackets on each side of the opening with 1/4" sheet metal screws. Do not penetrate the inner sleeve of the B-Vent when tightening the screws. Refer to the current CAN/CGA B-149 Gas Installation Code for specific installation instructions.

The following table is provided as a guide for types of B-Vent to use with common installations. These values have been formulated to include a margin of safety to ensure safe operation in most typical installations. When installing 6" B-Vent, use the **M56 Converter Kit**.

Vent Runs straight up (no Offsets)	8'(minimum)-10': use 6" B-Vent greater than 10': use 5" B-Vent
Vent Runs with a 45 degree Offset	8'(minimum)-18' use 6" B-Vent greater than 18': use 5" B-Vent
Vent Runs with a 90 degree lateral	8'(minimum)-18': use 6" B-Vent greater than 18': use Selkirk chart

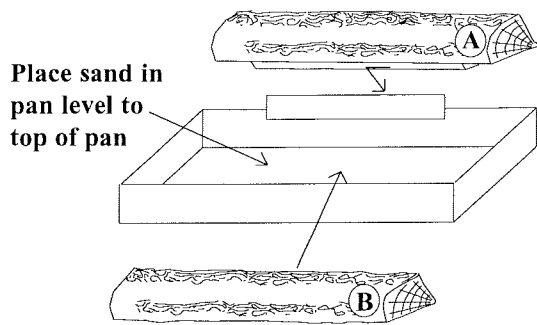
If using the **Selkirk** sizing chart, select a B-Vent size that will accommodate 150,000 BTUs (5 times the BTU rating of the **Montigo 28F-3**).

These figures are guidelines, not requirements. Any other B-Vent configuration which would provide adequate enough draw after warm-up period of three minutes would also be acceptable.

Test your B-Vent installation after completion to assure that no combustible by-products are spilling from the fireplace opening. Canadian Heating Products Inc. will not be responsible for any installations with inadequate draw.

INSTALLING SAND, LOGS AND EMBERS

Montigo 28F-3 Fireplaces are supplied with two cultured oak logs, sand and embers to help create an attractive and realistic fire. **To install simply add the white silica sand until burner tray is filled to the top; an inadequate amount of sand may cause excessive sooting.** Place the large, flat surface of the larger log "A" against back wall of fireplace with the rectangular-shaped extension of the log facing down. Slide the log down onto the back edge of the pan. The rectangular-shaped extension should fit behind log stop (located on back of pan) to stabilize the log. Place the other smaller log "B" on the sand in the middle of the pan (approx. 2" from front of pan to front of log). Be sure to place the log in the upright position, with the smooth flat surface on the sand and the larger flat surface facing the back wall of the fireplace. Sprinkle embers on all exposed areas of sand, particularly in front of the smaller log. **See figure 5 (over).**



WARNING
Failure to install logs and sand as per instructions may result in excessive sooting.

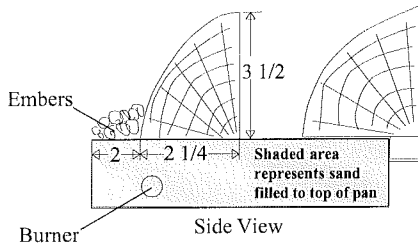


FIGURE 5. LOG SET

LIGHTING PILOT AND MAIN BURNER

The gas control valve is located behind the grille in the centre of the fireplace (see Figure 6 below). Before lighting the pilot, make sure that the gas line is connected and the gas shut-off valve is turned to the ON position.

To light the pilot we recommend the use of a long match or removal of log "B":

- a) Partially depress and turn dial on gas control valve to "OFF" position and wait 5 minutes.
- b) Turn dial to pilot position, depress dial and light pilot burner, hold for 1 minute, then release. If pilot does not remain ignited, repeat, allowing a longer time to elapse before releasing dial.
- d) To light the main burner, turn dial to "ON", then turn on remote switch.
- e) Turn off flame with remote switch. For complete shut down, slightly depress gas control valve dial and turn to "OFF" position.

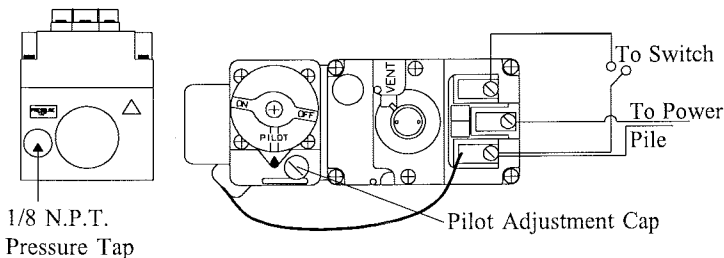


FIGURE 6. GAS CONTROL VALVE

PILOT BURNER ADJUSTMENT

1. Remove Pilot Adjustment Cap (see figure 6).
2. Adjust pilot key to provide properly sized flame. See Figure 7 for properly sized flame.
3. Replace pilot adjustment cap.
4. Leak test with a soap solution after installing or servicing with main burner on. Coat pipe and tubing joints, gasket etc. with soap solution. Bubbles indicate leaks. Tighten any areas where the bubbles appear until the bubbling stops completely.

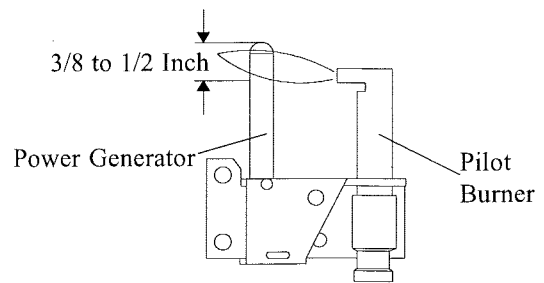


FIGURE 7. PILOT BURNER ADJUSTMENT

MAINTENANCE

Have the fireplace installation inspected yearly, including a visual check of the vent system, the burner and the pilot flame. For your convenience a 1/8" pressure tap is supplied on the gas valve for a test gauge connection. See Figure 6. This appliance requires a minimum gas pressure of 7" W.C. for natural gas. Always keep the fireplace area clear and free of combustible materials, as well as gasoline and other flammable vapours and liquids. Use a vacuum cleaner or whisk broom to keep the control compartment, burner, and firebox free from dust and lint. Logs may be cleaned periodically with soap and water to remove soot and other contamination.

CAUTIONS

- Fireplace gas control must be in the "OFF" position and pilot and main burners extinguished when cleaning appliance with a vacuum.
- Logs can get very hot, handle only when logs are cool.

The following is a troubleshooting chart of possible problems:

PROBLEM	CORRECTIVE ACTION
Noisy Pilot Flame	Turn pilot adjuster screw, located next to gas shut off valve. Flame is decreased by turning screw clock wise
Pilot won't ignite	Disconnect remote wires and try to light pilot. If pilot now works, remote connections are faulty. Check wiring diagram figure 6.

If your Montigo 28F-3 still does not operate correctly, consult your dealer or the manufacturer.

All service and repairs should be performed by a qualified agency.

All spare parts are available from Canadian Heating Products Inc. or your local dealer.

The Montigo 28F-3 has a ten-year unlimited warranty on the firebox, a five-year warranty on the main burner, pilot burner and cultured oak logs. Also a one-year warranty on the gas control valve, and a 90 day warranty on the bifold glass doors.

INSTALLATION OF BIFOLD DOORS

The **Montigo BD28 Glass Door Kit** consists of 2 bifold glass doors pre-mounted in a black metal frame. The doors are held to the frame by an adjustable spring bracket at the top corners of the opening and a pivot point at the bottom of the glass doors, see Figure 8.

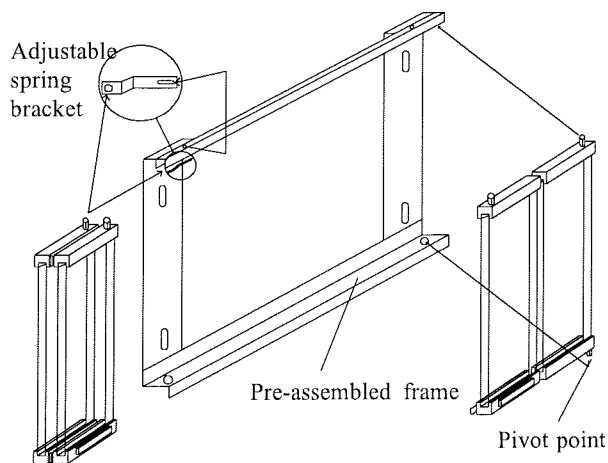


FIGURE 8. BIFOLD DOOR MOUNTING

WARNING

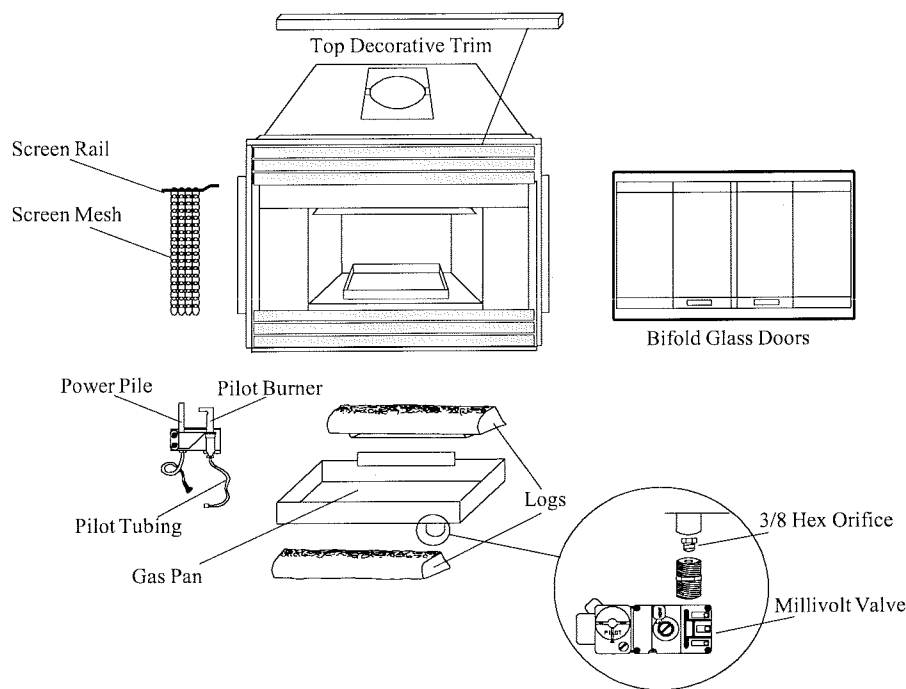
Use only Montigo CGA certified doors with Montigo 28F-3 certified appliances.

Remove the protective sheet from the door before operating appliance. Failure to do so will damage trim finish.

To install the door kit in the **Montigo 28F-3**:

- Remove the metal trim from the bottom border of the fireplace opening by removing the three screws on the top edge of the trim.
- Remove the doors from the frame. Each door is opened by pulling the handle outward in a rotating motion so the door folds at the outer edge. Then hold the spring bracket flush against the top rail, slide the top of the glass door over spring bracket towards middle of opening and lift pivot point from bottom rail. **HANDLE THE DOORS GENTLY: DO NOT SCRATCH THE BRASS TRIM.**
- Set the frame in the fireplace opening with lower frame lip resting onto the bottom of fireplace opening. The top edge of the frame should then be adjusted to parallel the brass trim and fastened.
- Fasten the frame by inserting the 4 screws into the pre-drilled slots of the glass door frame. (Use these slots if necessary to align and pre-drill a small starter hole into the fireplace before installing screws.) To avoid stripping do not over tighten screws.
- Remount the doors. If the doors are not aligned evenly when they close, the brackets should be adjusted to "square" the doors. Any of the brackets can be repositioned by slightly loosening the screw at the bracket, sliding the bracket in the desired direction and re-tightening the screw.
- Remove the protective sheet from the door trim by peeling.

MONTIGO 28F-3 PARTS LIST



Top Decorative Trim
 Screen Mesh
 Screen Rail
 Bifold Glass Doors
 Pilot Burner
 Pilot Tubing
 Power Pile
 Gas Pan
 Logs
 Bottom Grille
 3/8 Hex Orifice
 Millivolt Valve
 Silica Sand
 Embers

MONTIGO 28F-3 DECORATIVE GAS FIREPLACES WARRANTY

THE WARRANTY

Canadian Heating Products Inc. warrants the Montigo 28F-3 Decorative Gas Appliance to be free from defects in materials and workmanship at the time of manufacture. On the Montigo 28F-3 there is a ten-year warranty on the firebox and its components, a five-year warranty on the main burner, pilot burner, and cultured oak logs, as well as a one-year warranty on the gas control valve and bifold glass doors.

REMEDY AND EXCLUSIONS

The coverage of this Warranty is limited to all components of the decorative gas appliance manufactured by Canadian Heating Products Inc.

This Warranty only covers Montigo decorative gas appliances installed in British Columbia, Canada.

If the components of the decorative gas appliance covered by this Warranty are found to be defective within the time frame stated (see Canadian Heating Products Inc.'s right of investigation outlined below). Canadian Heating Products will, at its option, replace or repair defective components of the decorative gas appliance manufactured by Canadian Heating Products Inc. at no charge, and will also pay for reasonable labour costs incurred in replacing or repairing components. If repair or replacement is not commercially practical, Canadian Heating Products will, at its option, refund the purchase price of the Montigo 28F-3 decorative gas appliance.

This warranty covers only parts and labour as provided above. In no case shall Canadian Heating Products Inc. be responsible for materials, components, or construction which are not manufactured or supplied by Canadian Heating Products Inc., or for the labour necessary to install, repair or remove such materials, components or construction. All replacement or repair components will be shipped F.O.B. from the nearest Canadian Heating Products Inc. factory.

QUALIFICATIONS TO THE WARRANTY

The decorative gas appliance Warranty outlined above is further subject to the following qualifications:

- (1) The decorative gas appliance must be installed in accordance with Canadian Heating Products Inc. installation instructions and local building codes. The Warranty on this Montigo 28F-3 decorative gas appliance covers only the component parts manufactured by Canadian Heating Products Inc. The use of components manufactured by others with this Montigo 28F-3 decorative gas appliance could create serious safety hazards, may result in the denial of certification by recognized national safety agencies, and could be in violation of local building codes. This Warranty does not cover any damages occurring from the use of any components not manufactured or supplied by Canadian Heating Products Inc.
- (2) The Montigo 28F-3 decorative gas appliance must be subjected to normal use. The decorative gas appliances are designed to burn gas only. Burning conventional fireplace fuels such as wood, coal, or any other solid fuel will cause damage to the decorative gas appliance, will produce excessive temperatures, and will result in a fire hazard.

LIMITATIONS ON LIABILITY

It is expressly agreed and understood that Canadian Heating Products Inc.'s sole obligation, and Purchaser's exclusive remedy under this Warranty, under any other warranty, expressed or implied, or in contract, tort or otherwise, shall be limited to replacement, repair, or refund, as specified above.

In no event shall Canadian Heating Products Inc. be responsible for any incidental or consequential damages caused by defects in its products, whether such damage occurs or is discovered before or after replacement or repair, and whether or not such damage is caused by Canadian Heating Products Inc.'s negligence. Some states do not allow the exclusion or limitation of incidental or consequential damages, so the above limitation or exclusion may not apply to you. The duration of any implied warranty with respect to this Montigo 28F-3 decorative gas appliance is limited to the duration of the foregoing warranty. Some states do not allow limitation on how long an implied warranty lasts, so the above may not apply to you.

INVESTIGATION OF CLAIMS AGAINST WARRANTY

Canadian Heating Products Inc. reserves the right to investigate any and all claims against this Warranty and to decide upon method of settlement.

CANADIAN HEATING PRODUCTS INC. NOT RESPONSIBLE FOR WORK DONE WITHOUT WRITTEN CONSENT

Canadian Heating Products Inc. shall in no event be responsible for any warranty work done without first obtaining Canadian Heating Products Inc.'s written consent.

DEALERS HAVE NO AUTHORITY TO ALTER THIS WARRANTY

Canadian Heating Products Inc.'s employees and dealers have no authority to make any warranties nor to authorize any remedies in addition to or inconsistent with those stated above.

HOW TO REGISTER A CLAIM AGAINST WARRANTY

In order for any claim under this Warranty to be valid, Canadian Heating Products Inc. must be notified of the claimed defect in writing or by telephone to Canadian Heating Products Inc., attention Customer Service Department, 12091 88th Avenue, Surrey, B.C., Canada V3W 3J5; telephone (604) 597-3115, as soon as reasonably possible after the defect is discovered. Claims against this Warranty in writing should include the date of installation, and a description of the defect.

OTHER RIGHTS

This Warranty gives you specific legal rights, and you may also have other rights which vary from state to state.

Canadian Heating Products Inc. reserves the right to make changes at any time, without notice, in design, materials, specifications, prices and also to discontinue colours, styles, and products.

DISTRIBUTED BY:



CANADIAN HEATING PRODUCTS INC.