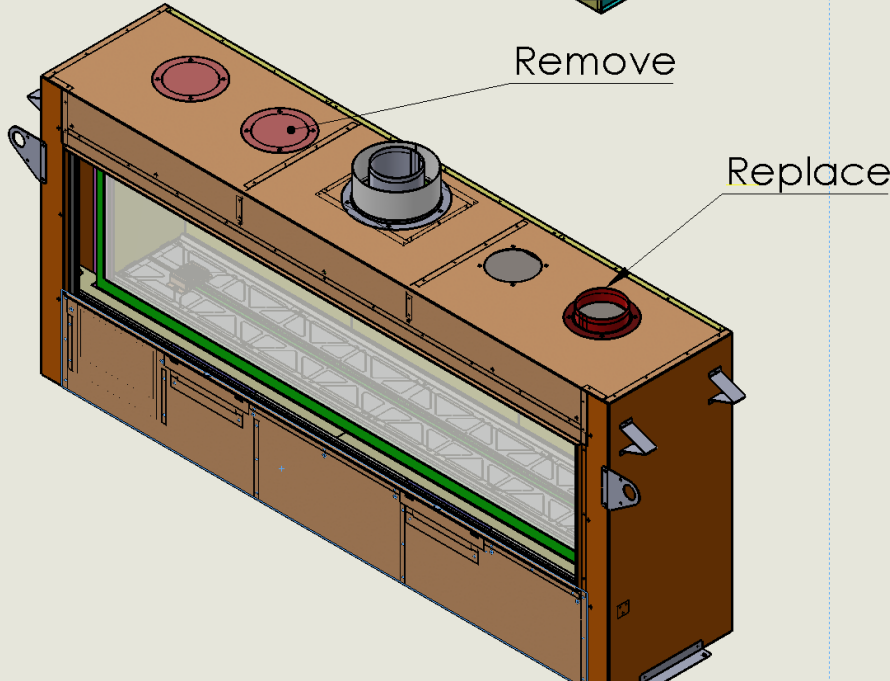
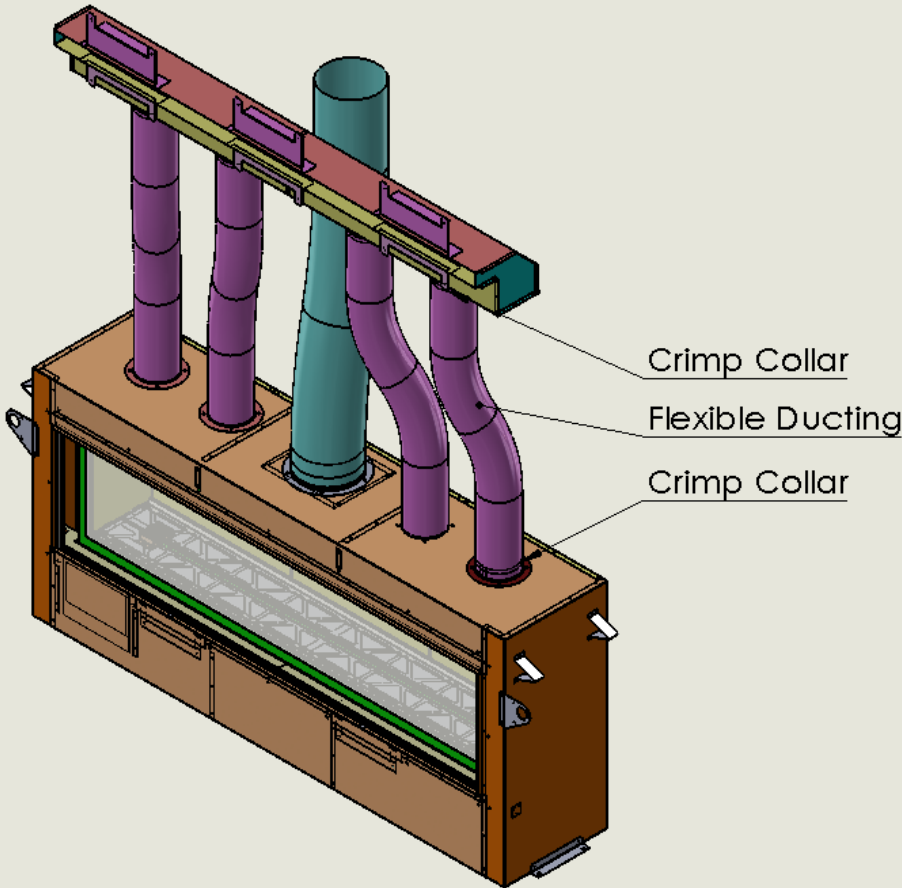


Unit Number	D/DL6315
Page Number	1
Date Updated	2017/03/25

1



Unscrew Cap and replace with supplied Crimp Collars using the same hardware.

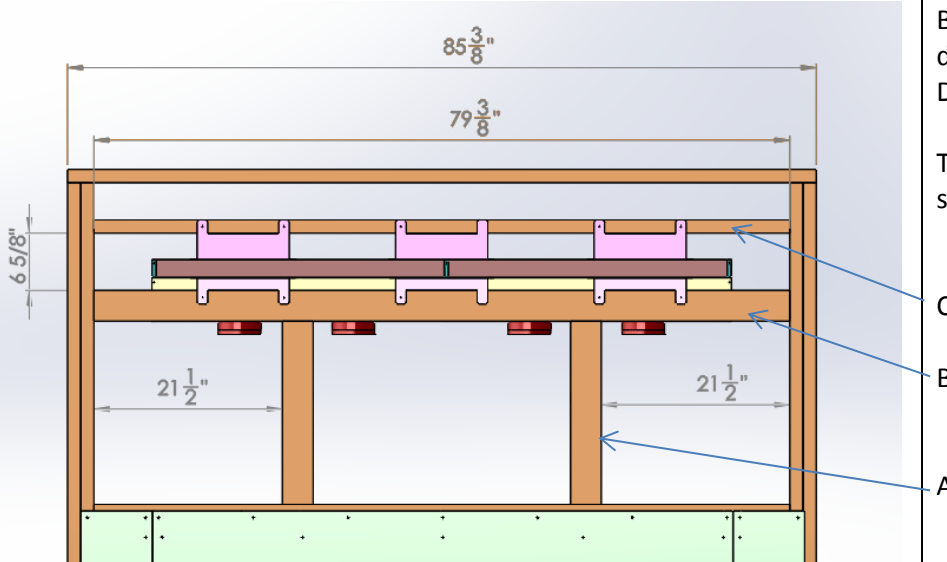


Secure Heat Distribution kit to Framing at Desired Height and use supplied crimp collars to secure ducting.

If using Montigo Flex Pipe Kit HDKPD63FK please ensure that the pipe is fully extended before cutting to desired length. Montigo flex pipe can be stretched 50% (e.g. 6' pipe can be stretched to 9')

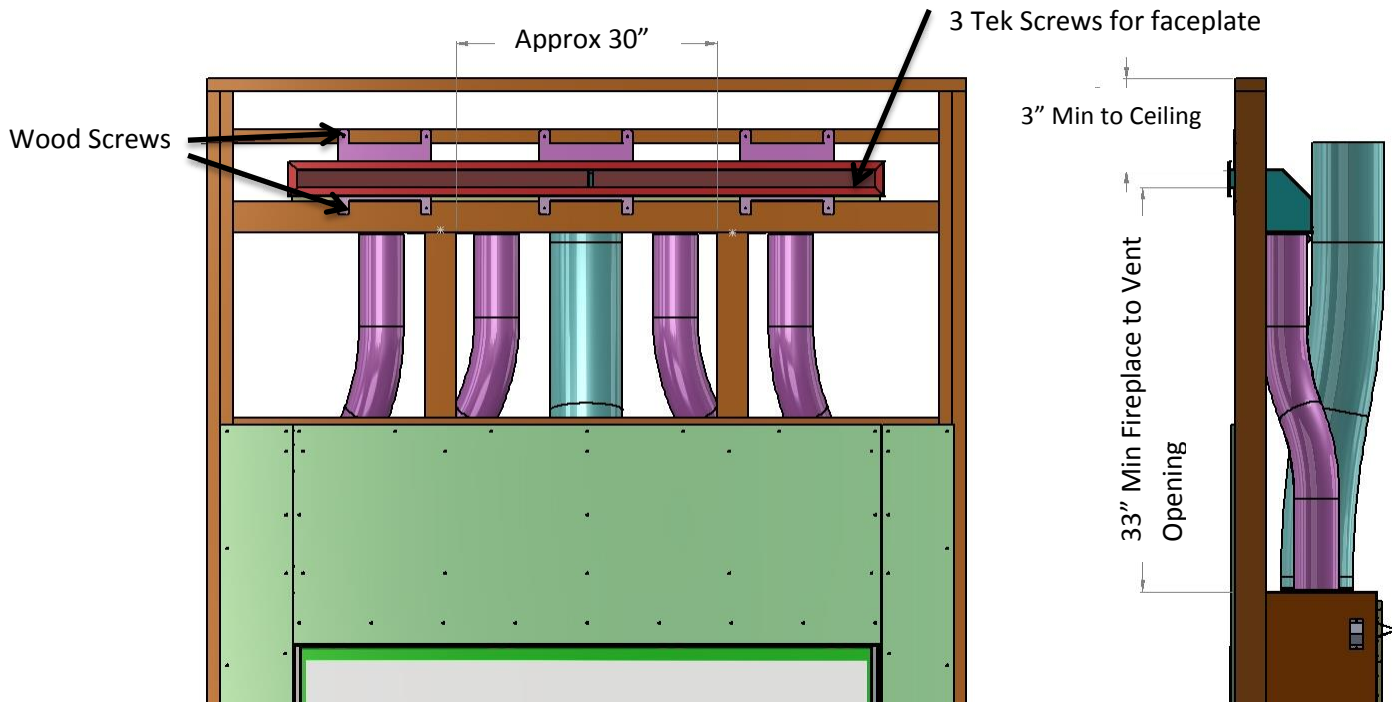
Maintain 1" Clearance to combustibles from flex pipe.

Unit Number	D/DL6315
Page Number	2
Date Updated	2017/03/25



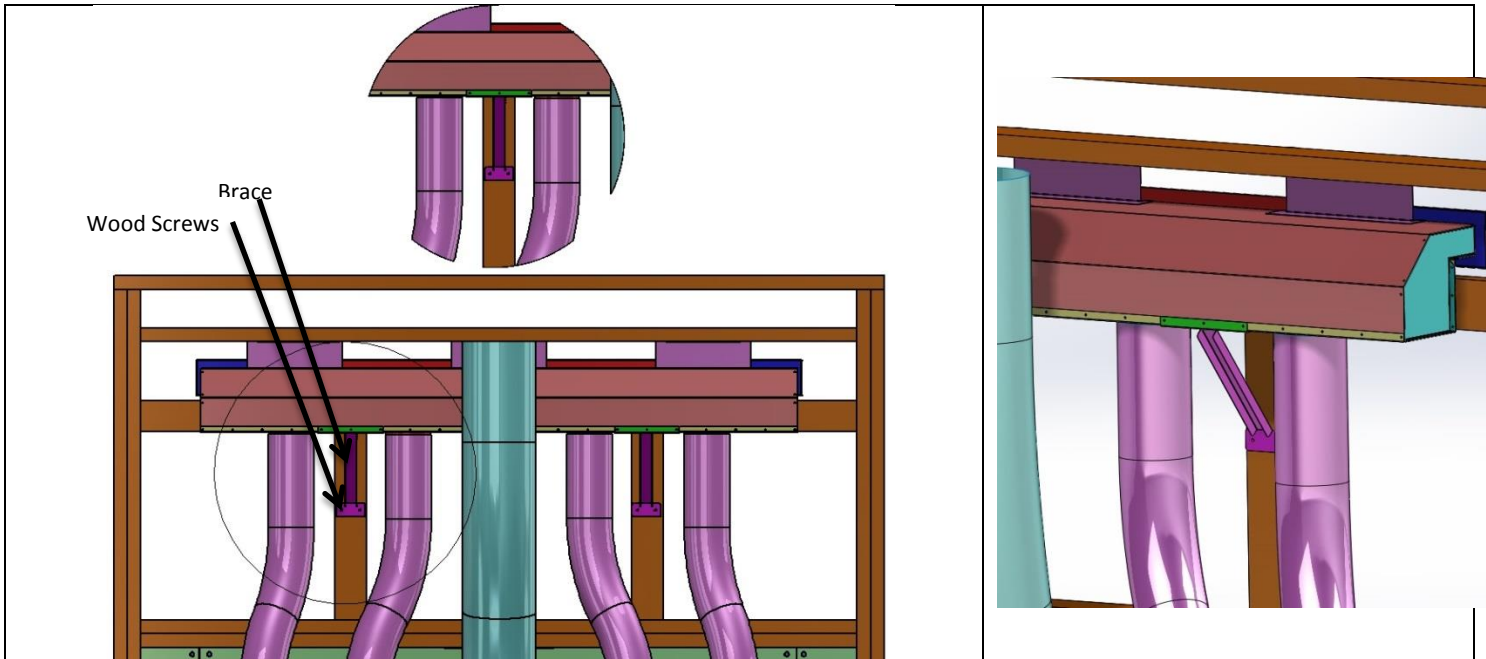
Install boards A and B first then secure the TV kit with the lower screws. Board B will be cut to length depending on the height of the Heat Distribution Kit.

Then install the upper board C to secure the Heat Distribution Kit.



The opening should be a minimum of 33" from the top of the fireplace and a minimum of 3" from the ceiling. Secure with 12 wood screws (not provided)

Unit Number	D/DL6315
Page Number	3
Date Updated	2017/03/25



Insert Brace to secure unit to stud frame

Drawing

