

# Installing the HFK50R Fan Kit for Proflame 2

For use with:

H\*34-DF/DL; L38-DF

H\*38-DF/DL; L42-DF

H\*-DF/DL; L52-DF

\* = C, L, P, R, W



## CAUTION

Ensure that all power to the appliance is off at the electrical breaker or fuse before beginning installation. Ensure gas is turned off at the shutoff valve before beginning installation.



- This kit should be installed by a qualified person.
- Check local codes and read all instructions prior to installation.

## WARNING

When installing the fireplace - gas lines, fittings, accessories or any other objects cannot impede the proper movement of the door buckles.

### General Information

This blower kit is for installation with the models listed above.

KIT #	Contents
HFK50R	2x blowers, 1x fan cord assembly, 4x mounting screws, Velcro strips, self-adhesive cable tie mounts and cable ties.
HFK50R	<b>Required:</b> This fan kit requires one of the remote control kits (PF2 Remote Kit or RX 100*) for proper operation.

### Before You Begin

Ensure that the power supply has been turned off at the breaker or fuse before beginning the installation.

Shut off the gas supply at the shut-off valve, and ensure that the main burner and pilot light have been turned off and the fireplace has been cooled off for at least two hours before installation.

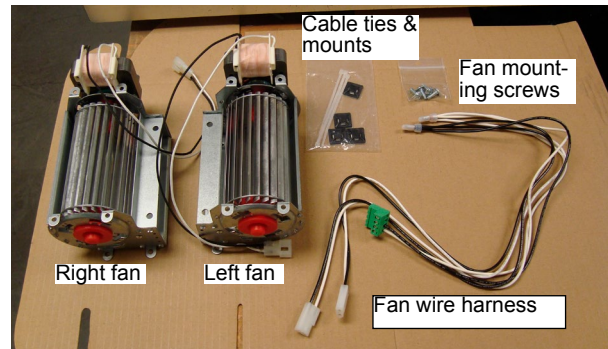


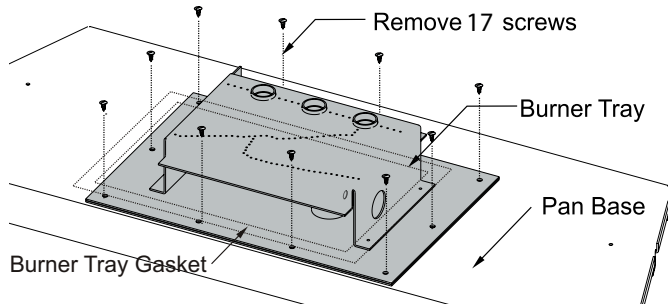
Figure 1 Contents of HFK50R Fan Kit package.



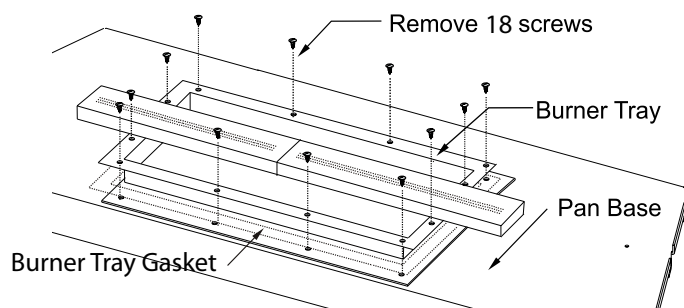
# Installation

## Installation

1. Remove burner tray if required.

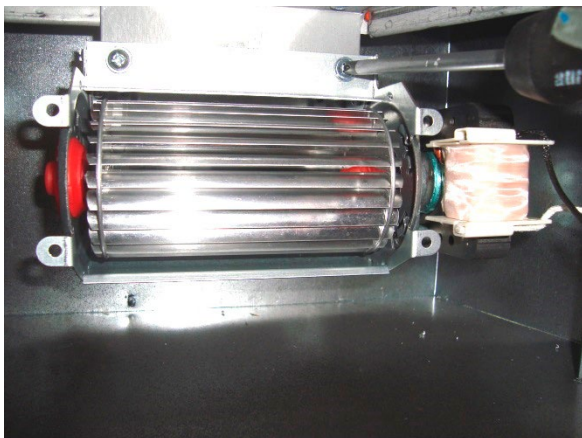


**Figure 2** Removing the burner tray (L38DF, L42DF, L52DF models only).



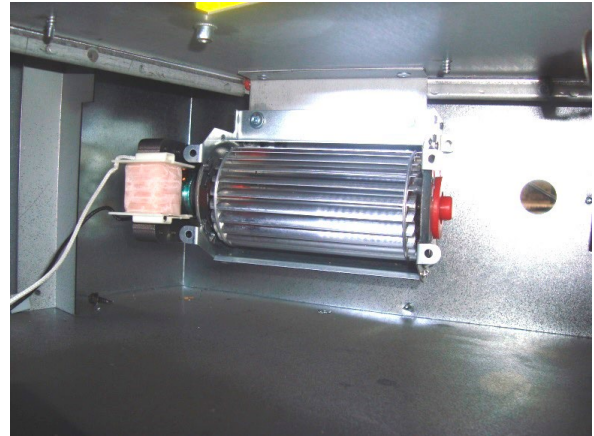
**Figure 3** Removing the burner tray (L38DF, L42DF, L52DF models only).

2. Install the left fan as shown in **Figure 4** to the bracket underneath the firebox using the screws supplied (motor should be oriented towards the back side of the fireplace).



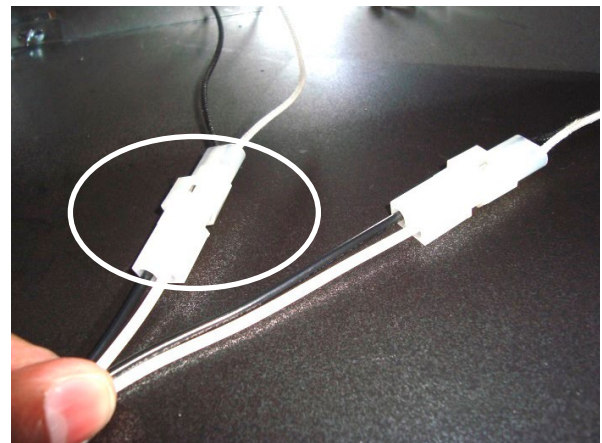
**Figure 4** Install left fan to bracket

3. Install the right fan as shown in **Figure 5** to the bracket underneath the firebox using the screws supplied (motor should be oriented towards the back side of the fireplace).



**Figure 5** Install right fan to bracket

4. Plug in the 4-pin green connector from fan harness to X10 of the control box.
5. Plug the 2-pin molex connectors on the other end of the harness to the connectors from both fans. **Note:** the left or right fan can be plugged into either plug.



**Figure 6**



- Using the supplied cable ties and self-adhesive cable tie mounts, secure the fan harness to the bottom of the firebox. Make sure to keep the wires away from fan blades and door buckles.



**Figure 7**

- Reinstall the burner tray (if removed). See **Figure 2** or **Figure 3** for examples
- Complete the installation as per the fireplace installation manual. Program the remote transmitter to the control box as per the supplied "**Proflame2 Operation and Maintenance Manual-XG0677**" and start-up your fireplace. Turn the fans on using the remote control.
- Use the remote control to adjust the fan speed to the desired setting.

*The fans only operate when the unit is running. You may turn the fans off completely using the remote control.*

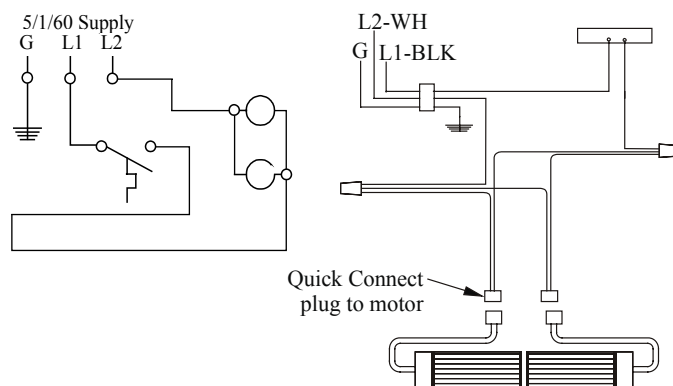
## Wiring for the *optional* Fan Kit

The following fireplaces may be equipped with optional fan kits: **H\*42DF\***, **H\*34DF\***, **H\*38DF\***, **L\*42DF\***, **L\*38DF\***, **L\*52DF\***.

**Installations in Canada** which employ the fans must be electrically grounded in accordance with **CSA C22.1** Canadian Electrical Code Part 1 and/or Local Codes.

**Installations in the USA** which employ the fans must be grounded in accordance with local codes or, in the absence of local codes, with the National Electrical Code, **ANSI/NFPA 70**.

**NOTE:** If any of the original wire supplied with the appliance is replaced, it must be replaced with the same type, or its equivalent.



**Figure 8.** Wiring diagram for optional fans.