



Installation Operation & Maintenance

M38DV-ST

ME38DV-ST

M38DV-ST (MH)

ME38DV-ST (MH)

See-Thru

**Direct-Vented
Gas Fireplace**

Warning:

Improper installation, adjustment, alteration, service or maintenance can cause injury or property damage. Refer to this manual. For assistance or additional information consult a qualified installer, service agency or the gas supplier.

For Your Safety:

Do not store or use gasoline or other flammable vapors and liquids in the vicinity of this or any other appliance.

- *Check local codes and read all instructions prior to installation.*
- *Leave this manual with the owner.*

What To Do If You Smell Gas:

- Do not try to light any appliance.
- Do not touch any electrical switch; do not use any phone in your building.
- Immediately call your gas supplier from a neighbor's phone. Follow the gas supplier's instructions.
- If you cannot reach your gas supplier, call the fire department.



Table Of Contents

Introduction	2
Installation	3 - 12
Installing the Fireplace Shell	3
Installing the Gasline	4
The Remote Switch	4
Direct Vent Installation	4
General Requirements	4
Terminations	5
Horizontal Venting Runs	6
Vertical Venting Runs	8
Finishing around the fireplace	
Facing	9
Mantels and Surrounds	9
Installing the Logset	10
Optional Fans	10
Removing and Installing the Door	11
Operation	
Adjusting the Center Burner	11
Lighting Instructions - Model M38DV-ST / ME38DV-ST	12
Lighting Instructions - Model M38DV-ST / ME38DV-ST-I13	
Maintenance	
Cleaning	14
Pilot Burner Adjustment	14
Gas Control Valve	14
Troubleshooting	15
Warranty	16
Appendices	
A - Termination Locations	17

CAUTIONS


Due to its high operating temperatures, the appliance should be located out of traffic & away from furniture and draperies.

- Children and adults should be alerted to the hazards of the high surface temperature, which could cause burns or clothing ignition.
- Young children should be carefully supervised when they are in the same room as the appliance.
- Clothing or other flammable materials should not be placed on or near the appliance.

Introduction

The **M38DV-ST** and **ME38DV-ST** models are direct-vented See-Thru Gas Fireplace with glass doors on two sides and an adjustable burner. It is available in five models:

- Model **M38DV-ST** (continuous pilot)
- Model **M38DV-ST-I** (intermittent pilot)
- Model **ME38DV-ST** (continuous pilot)
- Model **ME38DV-ST-I** (intermittent pilot)
- Model **M38DV-ST (MH)** (mobile home approved)
- Model **ME38DV-ST (MH)** (mobile home approved)

This manual covers both models and unless otherwise specified, the designation M38DV-ST / ME38DV-ST refers to all models. Sections which are specific to a particular model are marked with a  symbol, plus the appropriate model number.

The **M38DV-ST** is rated for:

- Natural Gas at 32,000 BTU/H (9.38 Kilowatts) Input
- Propane at 32,000 BTU/H (9.38 Kilowatts) Input

The **ME38DV-ST** is rated for:

- Natural Gas at 25,000 BTU/H Input
- Propane at 25,000 BTU/H Input

The **M38DV-ST (MH)** is rated for:

- Natural Gas at 32,000 BTU/H (9.38 Kilowatts) Input
- Propane at 32,000 BTU/H (9.38 Kilowatts) Input

The **ME38DV-ST (MH)** is rated for:

- Natural Gas at 25,000 BTU/H Input
- Propane at 25,000 BTU/H Input

The Montigo warranty will be voided by, and Montigo disclaims any responsibility for, the following actions:

- Modification of the fireplace and/or components including Direct-Vent assembly or glass doors.
- Use of any component part not manufactured or approved by Montigo in combination with this Montigo fireplace system.
- Installation other than as instructed in this manual.

Consult your local Gas Inspection Branch on installation requirements for factory-built gas fireplaces. Installation & repairs should be done by a qualified contractor.

Installations in Canada must conform to the current **CAN/CGA B-149.1** and **.2 Gas Installation Code** and local regulations. When the unit employs the *optional* Fan Kit, it must be electrically grounded in accordance with **CSA C22.1** Canadian Electrical Code Part 1 and/or Local Codes.

Installations in the USA must conform to the National Fuel Gas Code, **ANSI Z223.1-1988**. When the unit employs the *optional* Fan Kit it must be grounded in accordance with local codes or, in the absence of local codes, with the National Electrical Code, **ANSI/NFPA 70-1987**.

A manufactured (mobile) home OEM installation in the United States must conform with the Manufactured Home Construction and Safety Standard, *Title 24 CFR, Part 3280*, or, when such a standard is not applicable, the Standard for Manufactured Home Installations, *ANSI/NCSCS A225.1*. In **Canada**, the installation must conform to the Standard for Gas Equipped Recreational Vehicles and Mobile Housing, **CSA Z240.4**.

Installation

Installing The Fireplace Shell

The fireplace may be installed in any location that maintains proper clearances to air conditioning ducts, electrical wiring and plumbing. Safety, as well as efficiency of operation, must be considered when selecting the fireplace location. Try to select a location that does not interfere with room traffic, has adequate ventilation, and offers an accessible pathway for Direct Vent & Combustion Air Kit installation.

The fireplace dimensions are shown below:

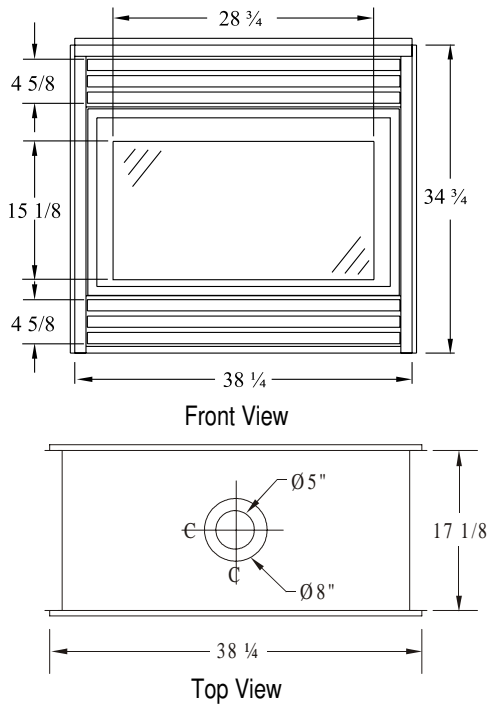


Figure 1. Fireplace dimensions.

Clearances

The M38DV-ST / ME38DV-ST clearances to combustible materials are:

Top*	20"
Sides	1 1/2"
Floor	0"
Mantle**	6"
Recess Depth	17 1/8"

* Clearance from the top of the fireplace to a combustible ceiling within the fireplace enclosure.

** Refer to page 9.

(Minimum 1" clearance must still be maintained around the vent pipes, except on horizontal venting sections where the top of the pipe must have a clearance of 2")

WARNING:

When this appliance is installed directly on carpeting, tile or any combustible material other than wood flooring, it must be installed on a metal or wood panel extending the full width and depth of the appliance.

For protection against freezing temperatures, it is recommended that outer walls of the chase be insulated with a vapour barrier. This will reduce the possibility of a cold-air convection current on the fireplace.

Framing

Frame the fireplace cavity according to Figure 2a.

Slide the fireplace into the cavity.

Tack four studs (40" length) in place as shown in Figure 2b. Secure the fireplace in position by nailing into these cleats.

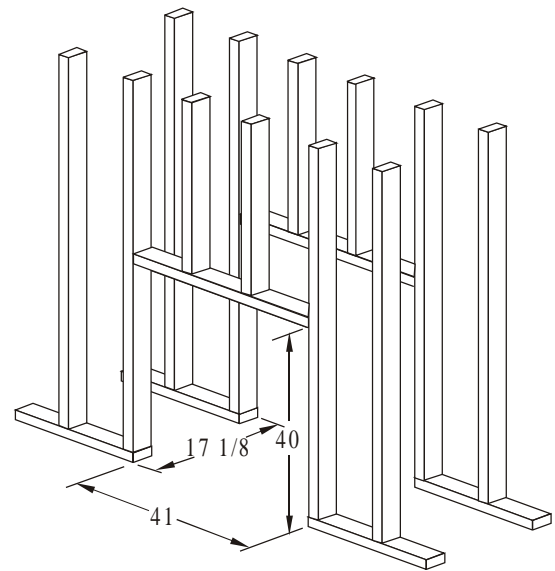


Figure 2a. Framing dimensions.

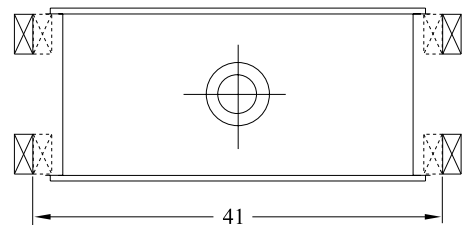


Figure 2b. Securing the fireplace to the framing.

Framing Above the Fireplace

When installing a shelf or any other combustible construction over the top of the fireplace, you must use an Offset Box (Part No DVST-CNT).

The Offset Box provides a top clearance of 16" to combustible materials. The minimum shelf height is 49", when measuring from the hearth to the underside of the shelf. See Figures 11a and 11b.

Installation

Installing The Gas Line

The gas line must be installed before finishing the M38DV-ST / ME38DV-ST fireplace. **Natural Gas** requires a minimum inlet gas supply pressure of 5.5" W.C. & a manifold pressure of 3.5" W.C. **Propane Gas** requires a minimum inlet gas supply pressure of 11" W.C. & a manifold pressure of 10" W.C. Provision must also be made for a 1/8" N.P.T. plugged tapping and be accessible for test gauge connection immediately upstream of the gas supply controls to the appliance. The fireplace gas connection and the main operating gas valve is located behind the removable brass trim at the bottom of the unit and need only be attached to the gas line with an approved fitting, as required by the **applicable installation codes**.

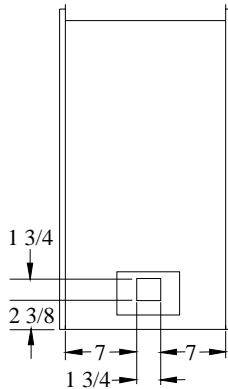


Figure 5. Gas line access.

The appliance and its individual shutoff valve must be disconnected from the gas supply piping system during any pressure testing of that system at test pressures in excess of 1/2 psig (3.5 kPa).

The appliance must be isolated from the gas supply piping system by closing its individual manual shutoff valve during any pressure testing of the gas supply piping system at test pressures equal to or less than 1/2 psig (3.5 kPa).

* After gas line is connected **each appliance connection, valve and valve train** must be checked while under normal operating pressure with either a liquid solution, or leak detection device, to locate any source of leak. Tighten any areas where bubbling appears or leak is detected until bubbling stops completely or leak is no longer detected. **DO NOT** use a flame of any kind to test for leaks.

Installing The Remote Switch

The M38DV-ST / ME38DV-ST is equipped with a remote-operated valve, located behind the removable brass grille, to the right of the gas control valve (refer to Figure 21.) The valve is pre-wired and completely self contained to generate its own power. **DO NOT** connect any external power to it.

Note: The switch location must not exceed 30' from the fireplace.

Vent Installation

This section covers the installation of direct venting and terminations. For a detailed diagram of allowed termination locations, see **Appendix B**.

Installation Requirements

- The M38DV-ST / ME38DV-ST fireplace uses premium venting components with:
5" inner dia. / 8" outer dia.
- Minimum clearance to combustible construction around the vent pipe is 1" on all sides, except on horizontal venting where the **top** of the pipe must have a clearance of at least 2".
- Use only *certified Montigo vent components*. (Use of other parts will void the Montigo warranty, and may impede the operation of the fireplace.)
- All joints must be secured with a minimum of two screws per joint
- Vent terminations must not be recessed in walls or siding
- Horizontal runs must be supported by a minimum of two supports per horizontal run. A minimum of one screw on each side of support is also required
- Flex vent sections may be stretched up to 50% of their total length (eg. a 24" section may be stretched to 36")
- Maximum horizontal run for a flex section with no vertical rise is 3 feet.
- Flex vent sections over 3 feet must fall within the limits set by the venting graph and must have a minimum vertical rise of 3 inches per foot of flex.
- Venting components can be used in any combination of solid/rigid
- Solid vent sections may be cut less than half way from the tapered end
- Venting components can be used in any combination of solid/rigid pipe or flex pipe and in any orientation (Male connectors can face in any direction)

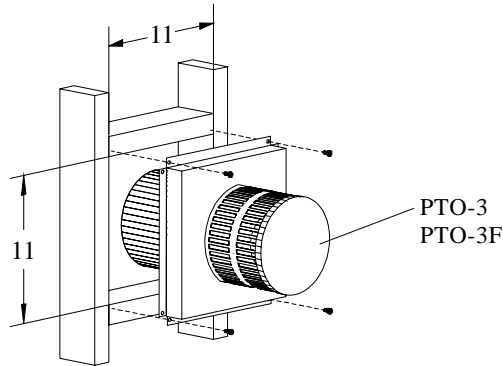
CAUTIONS:

- Vent terminations can be very hot. If the termination is less than 7 feet above a public walkway, it should be fitted with a certified Montigo Heat Guard. (Part no. PTKOG)
- Do not obstruct, or attempt to conceal, the vent termination. These actions will affect the operation of the fireplace, and may be hazardous.
- In heavy snow areas, take extra care to prevent snow buildup from obstructing the vent termination.

Installation

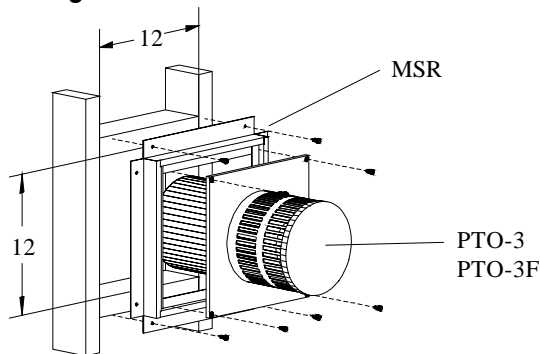
Vent Terminations

Installing Terminations with Built-In Frames



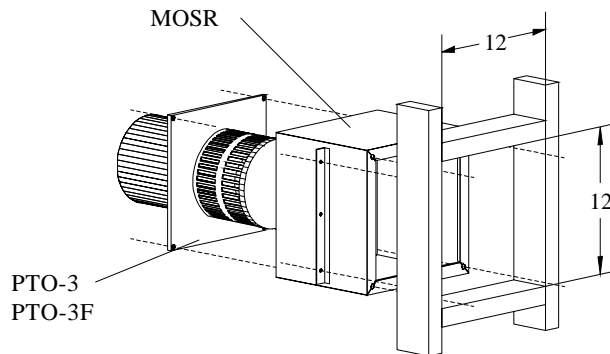
1. Frame the termination opening to 11" x 11".
2. Fasten the termination to the studs using a minimum of 4 screws.

Installing Terminations with MSR Frames



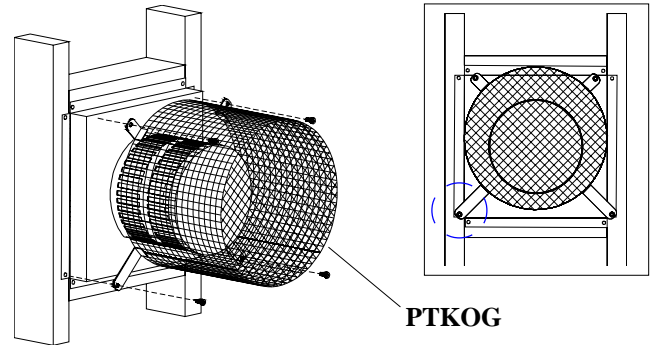
1. Frame the termination opening to 12" x 12".
2. Fasten the termination to the studs using a minimum of 4 screws.

Installing Terminations with MOSR Frames



1. Frame the termination opening to 12" x 12".
2. Fasten the MSR frame to the interior side of the studs using a minimum of 4 screws.
3. Insert the termination into the MSR frame as shown here, and attach by screwing through the four pilot holes in the termination.

Installing Heat Guards over Terminations



1. Ensure that the two **long** mounting brackets are facing the bottom of the termination. (See inset). This will provide more heat protection at the top of the termination, where temperatures are highest.
2. Attach to the faceplate of the termination using four sheet metal screws.

Installation

Top Vent Venting Runs

Before you install any venting, you must determine whether the venting run will be acceptable. Unacceptable venting can affect the fireplace's combustion.

- for installations with horizontal venting runs of 0-16 feet, use the vent graph, as described below
- the maximum horizontal vent run is 16 feet.

The Venting Graph

Measure the vertical height from the fireplace hearth to the centre of the termination and the horizontal run from the fireplace flue collar to the wall flange of the termination. Plot on the Venting Graph (Fig. 7a) with an 'X'.

If the 'X' falls on or above the top boundary of the shaded area, the installation is acceptable.

Example A: (Acceptable Installation)

If the vertical dimension from the hearth is 72", and the horizontal run to the wall flange of the vent termination is 120", this would be an acceptable installation.

Example B: (Acceptable Installation)

If the vertical dimension from the hearth is 66" and the horizontal run to the wall flange of the vent termination is 30", this would be an acceptable installation.

Example C: (Unacceptable Installation)

If the vertical dimension from the floor of the fireplace is 48" and the horizontal run to the wall flange of the vent termination is 84", this would **NOT** be an acceptable installation.

Installation Of Top Vent DV

A complete M38DV-ST / ME38DV-ST vent system may comprise up to six different types of components:

A - Termination	PTO-3 (3" length) PTO-3F (3" length)
B - Stucco Kits	MSR (stucco frame) MOSR (stucco can)
C - Flex sections	PFL-1 (12" section) PFL-2 (24" section) PFL-3 (36" section) PFL-4 (48" section)
D - Solid sections	PEXT-1 (12" section) PEXT-2 (24" section) PEXT-3 (36" section) PEXT-4 (48" section)
E - 90° elbow 90° elbow 90° elbow	PEL-90 PEL-90 PEL-90
F - Offset Box	DVST-CNT

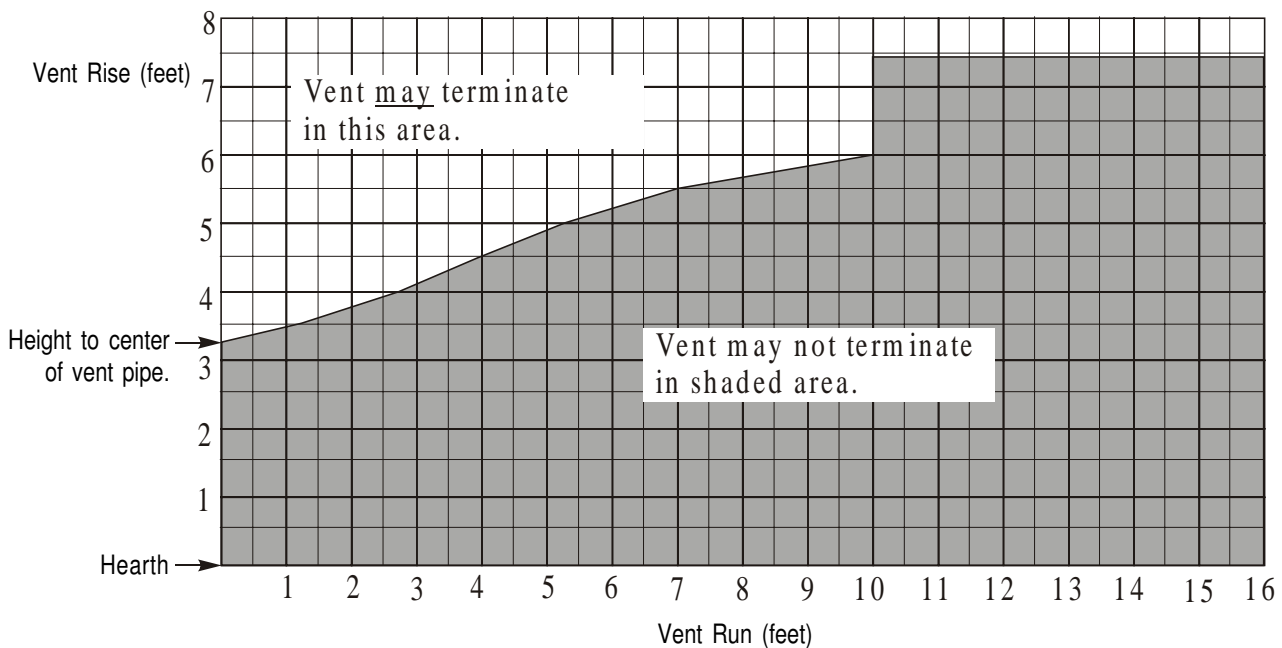


Figure 7a. Venting Graph.

Installation

Example:

A 10' section and an elbow used in conjunction with 3 ft. flex section (PFL-3) will, when extended in a five foot chase, allow for a maximum horizontal run of twelve and one-half feet from the centre of the fireplace to outside wall and a minimum of 7'6" when retracted in opposite direction. (See Figure 8 and 9.)

"D" flex sections and "E" solid sections may be used in conjunction with one another to obtain different possible horizontal length installations. **NOTE:** Flex section must not exceed maximum horizontal length of 3 feet. (See Figure 10.)

Heat Shields

Due to high flue temperatures, heat shields are required on all M38DV-ST / ME38DV-ST installations at the point where the venting passes through the wall to connect to the termination.

Using the heat shield, vent clearances at this point are 1" to combustible construction.

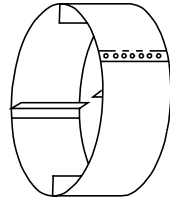


Figure 7b. Heat Shield. Install by sliding over the vent pipe where it passes through combustible construction.

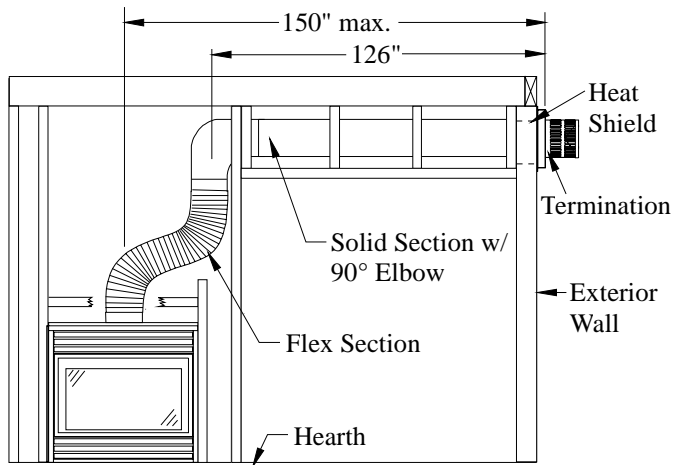


Figure 8. Extended installation.

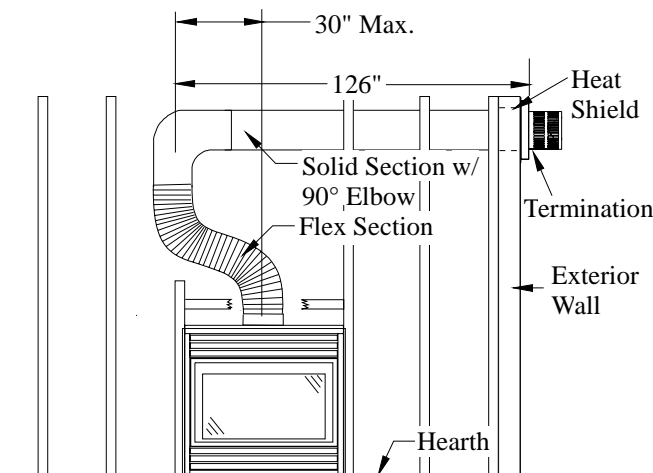


Figure 9. Retracted installation.

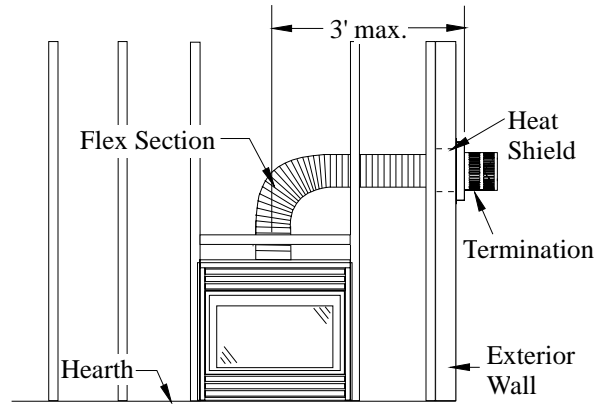


Figure 10. Horizontal flex installation.

Reduced Clearance Installation

If your installation requires construction above the fireplace (TV stand, bookshelf, window between rooms, etc.) you must use the DVST-CNT Offset Box.

- Min. framing height is 48" to the underside of combustible materials.
- Max. total horizontal vent length is 55" from the center of the fireplace.
- Use PEXT horizontal vent pipe to obtain desired horizontal vent lengths.

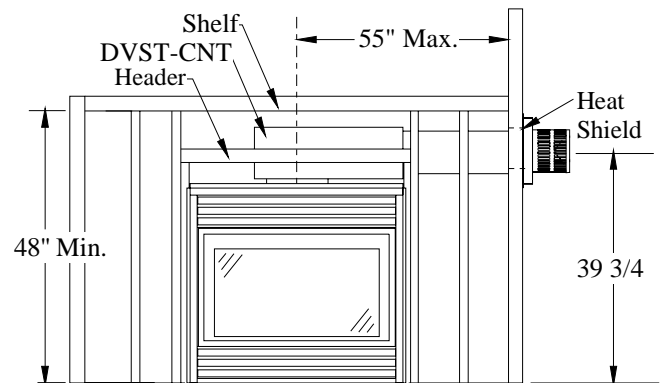


Figure 11a. Installation with the DVST-CNT Offset box.

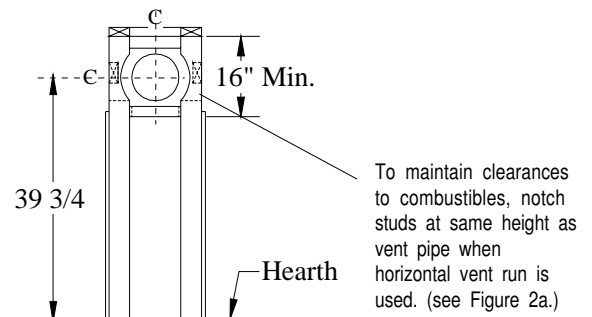


Figure 11b. End View of a DVST-CNT Installation.

Installation

Installation Of Vertical Vent DV

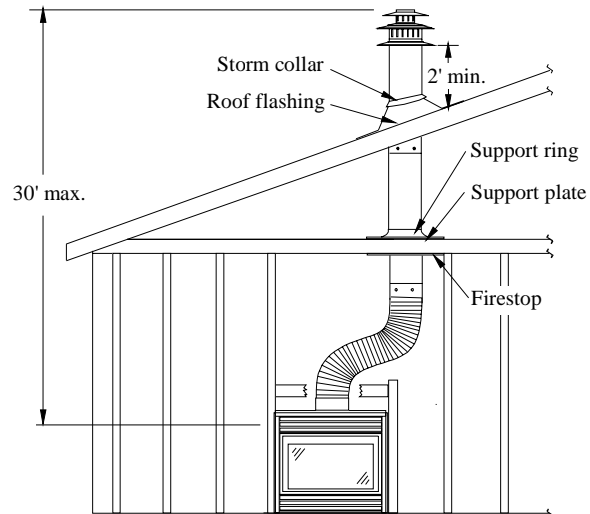
- Vertical Terminations must be installed:
 - minimum 2' (two feet) above the highest point where vent passes through the roof.
 - minimum 6' (six feet) from a mechanical air inlet
 - minimum 18" (1 1/2 feet) from a parapet wall.
- Maximum vent height is 30 feet above fireplace.

Note: Flame characteristics will change if the maximum vent height is used.
- Minimum clearances 2" from vent to all combustible materials must be maintained.

A - Termination	PVTK-1
B - Flex sections	PFL-1 (12" section) PFL-2 (24" section) PFL-3 (36" section) PFL-4 (48" section)
C - Solid sections	PEXT-1 (12" section) PEXT-2 (24" section) PEXT-3 (36" section) PEXT-4 (48" section)
D - Support Ring & Plate	PSPXT-7 (8" dia.)
E - Firestop	PS-8 (8" dia.)
F - Roof Flashing	PRF-7 (1/12 - 7/12 pitch) PRF-12 (7/12 - 12/12 pt.)

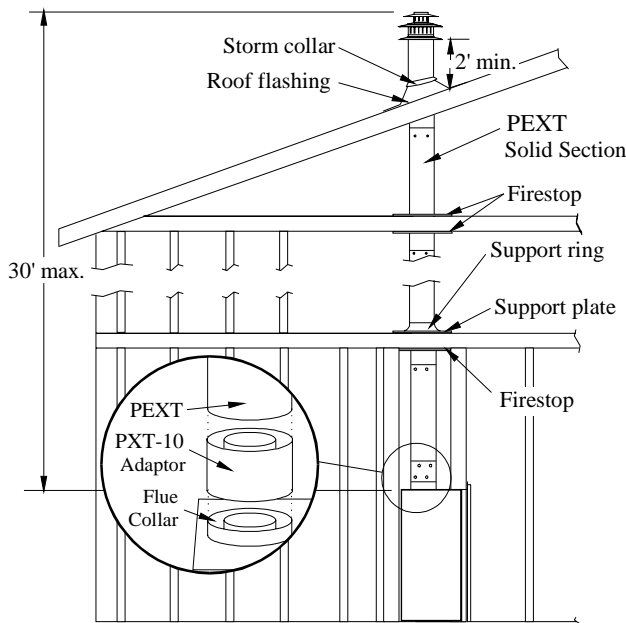
- A maximum of two offsets (each offset has two 90° bends) may be made if the length of the offsets does not exceed 25% of the vertical vent height, when measured center to center of piping.

Example: Typical vent installation.
 30' vertical vent
 2 - 2' offsets required
 25% of 30' = 7-1/2' max. offset allowed
 This venting configuration meets requirements.



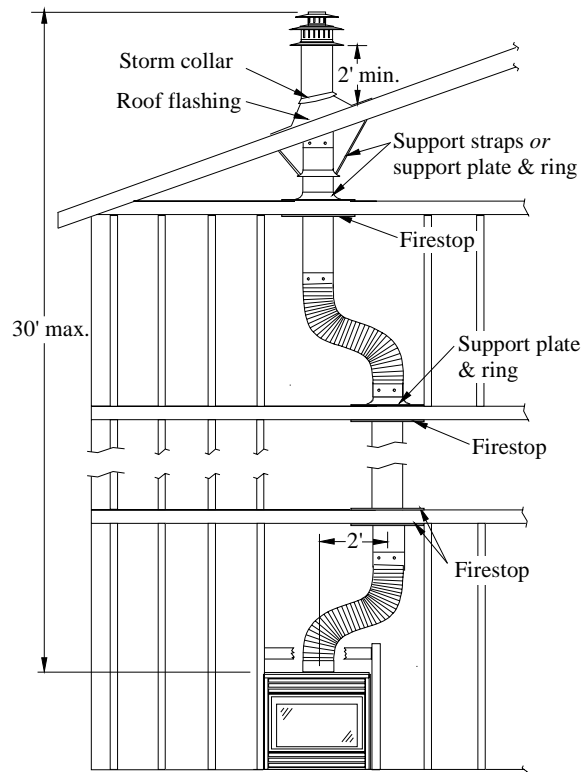
* Minimum 1" clearance to combustibles, on vertical vent runs.

Figure 13a. Vertical venting with 1 offset (1 offset= two 90° bends).



* Minimum 1" clearance to combustibles, on vertical vent runs.

Figure 12. Straight, vertical venting using required PXT-10 adaptor.



* Minimum 1" clearance to combustibles, on vertical vent runs.

Figure 13b. Vertical venting with 2 offsets (1 offset= two 90° bends).

Installation

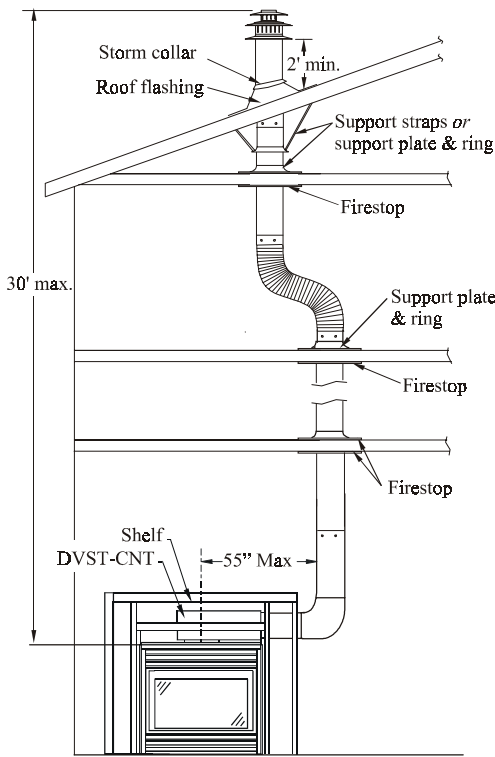


Figure 13c. Vertical venting application using 2 offsets. (1 offset= two 90° bends). The DVST-CNT offset box is shown for one of the offsets.

Finishing Around the Fireplace

Combustible mantels and mouldings may be safely installed over the top and on the front of the fireplace provided that they do not project beyond shaded area shown in **Figure 14a**. Side wall clearances are 0". Combustible surrounds may be installed with 0" clearance to the side of the fireplace as shown in **Figure 14b**.

Fireplace Facing

When selecting the finish material for your fireplace, it is important to remember the following: **TRIMS MUST NOT BE OBSTRUCTED IN ANY WAY - to do so restricts the air supply for the control compartments and heat exchanger it also prevents access for servicing controls.**

The face of the fireplace may be painted to match the room decor, provided you use a heat-resistant paint. Decorative facing must not extend past the fireplace opening at all, because it will interfere with the access to retainers for removal of glass door.

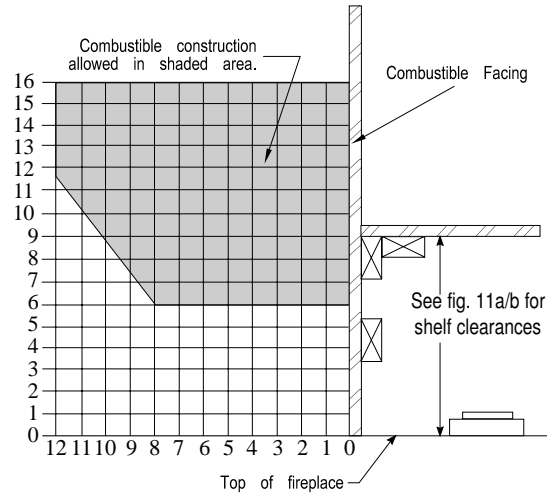


Figure 14a. Combustible mantels and facings.

Mantels & Surrounds

NOTE: National Canadian Gas Association mantel test requirements are for fire hazard prevention to combustible materials.

New technology, to meet consumer and government demands for the wise use of energy, has prompted us to manufacture many models of fireplaces which are hot, fuel and energy efficient.

Please be aware; temperatures over the mantel will rise above normal room temperature and walls above fireplace may be hot to touch.

We recommend careful consideration be given to the effects of elevated mantel temperatures which may be in excess of product design, for example: candles, plastic or pictures. This can cause melting, deformation, discoloration or premature failure of T.V. and radio components.

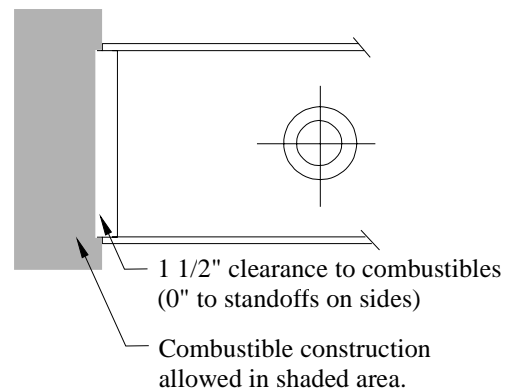


Figure 14b. Combustible surrounds.

Painting:

Special care is recommended by the Master Painters and Decorators Association, when painting the fireplace surrounds, to select and apply a quality **Alkyd sealer** prior to the applying of latex paints. This is to prevent leaching of water from evaporation and causing a brownish staining effect to paint over coats.

Installation

Wiring

Gas Control and Pilot Wiring

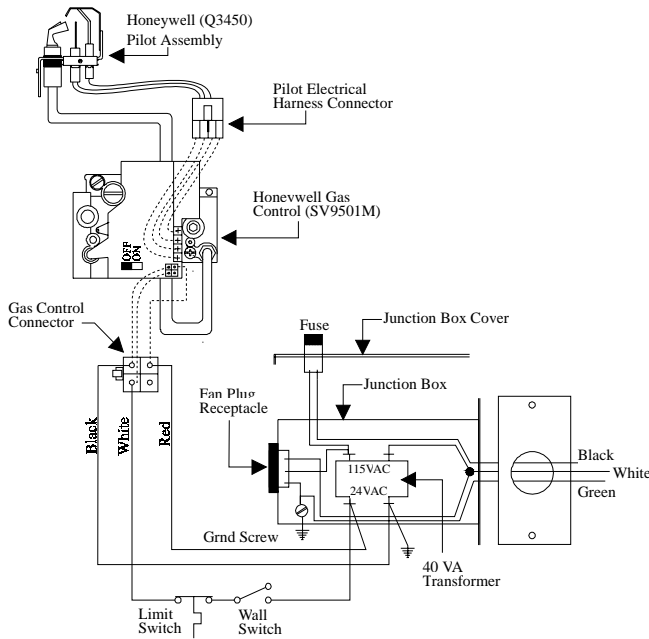


Figure 15. Wiring for the M38DV-ST / ME38DV-ST-I with Honeywell gas control and pilot.

Optional Fans

The M38DV-ST / ME38DV-ST may be equipped with 4 optional fans for circulating heat into the living space. Installations in Canada which employ the fan kit, must be in accordance with CSA C22.1 Canadian Electrical Code Part 1 and/or Local Codes.

Installations in the USA which employ the fan kit, must be in accordance with local codes or, in the absence of local codes, with the National Electrical Code, ANSI/NFPA 70-1987.

NOTE: If any of the original wire supplied with the appliance is replaced, it must be replaced with the same type, or its equivalent.

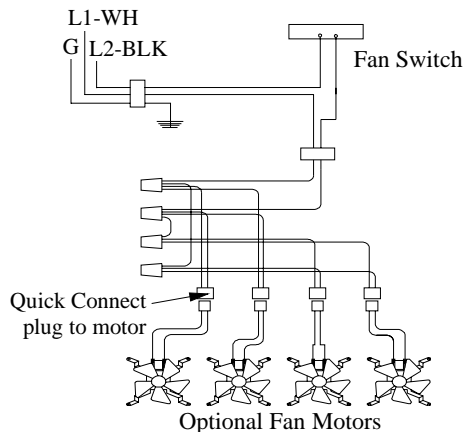


Figure 16a. Wiring for optional fans.

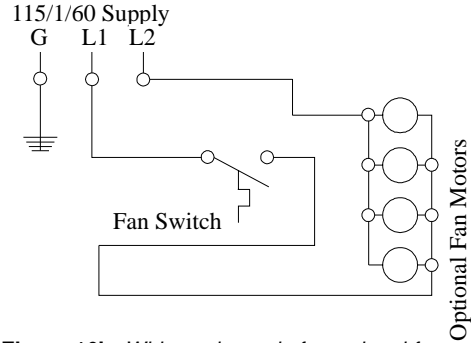


Figure 16b. Wiring schematic for optional fans.

Installing the Logs and Embers

Bottom Logs

The M38DV-ST / ME38DV-ST is supplied with five (5) fibre logs. The two large bottom logs (logs "A" and "B") are mounted on the burner grate by placing them into the slots.

Top Logs

Place logs "C" and "D" into their mating positions on the large logs as shown in Figure 16a below. Log "E" is mounted on top of logs "C" and "D" as shown in Figure 17b.

WARNING: If logs are not placed properly, excessive sooting will result.

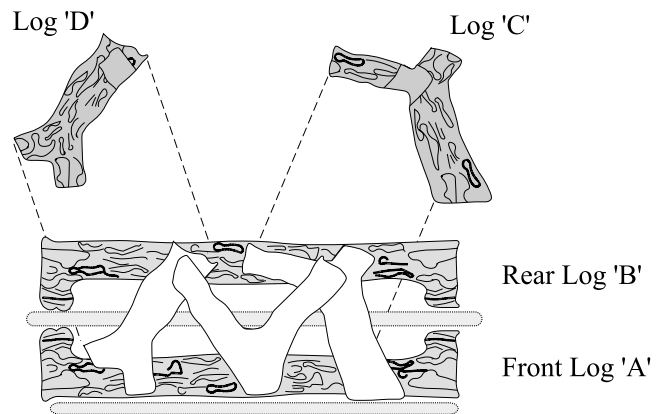


Figure 17a. Log Installation.

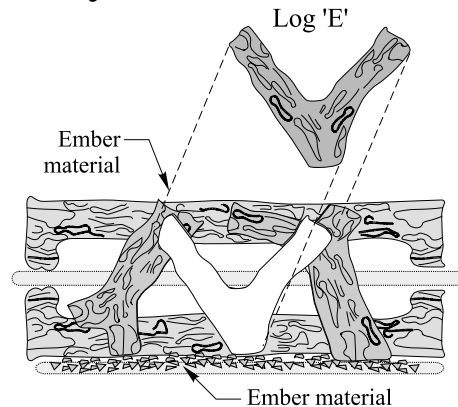


Figure 17b. Completed Installation.

Installation

Operation

Removing and Installing the Door

Removing the door surround:

The door surround is held in place by two metal clips at the top, and one magnet on each side. To remove the surround, pull the bottom outwards and lift upwards until the slots "A" are clear of tabs "B" in the door. You may need to use a flat screwdriver to pull the door surround outwards. (See figure 18a).

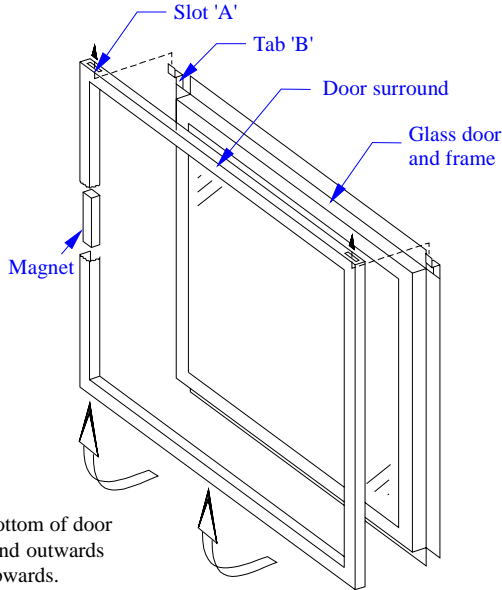


Figure 18a. Removing door surround.

Removing the door:

To install/remove the glass door simply attach/remove the four (4) machine screws, align tabs at the bottom of the door with the slots in the bottom door rail (See figure 18b). Ensure that a good seal is maintained.

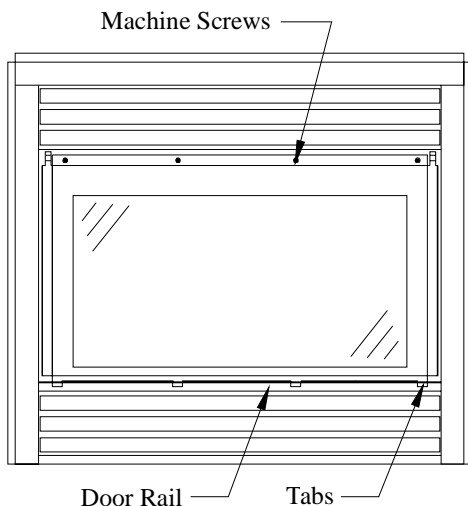


Figure 18b. Installing Glass Door.

Lighting Instructions

See Pages 12-13.

Burner Adjustment

The M38DV-ST / ME38DV-ST is equipped with an adjustable burner, allowing you to raise or lower the flames. To adjust the flames, locate the black knob marked 'Hi-Lo', in the centre of the gas control valve (See Figure 26). The front burners are not adjustable.

- To raise the flame height, turn the black knob (located behind the lower trim) **counterclockwise**.
- To lower the flame height, turn **clockwise**.

Hi-low adjustment knob

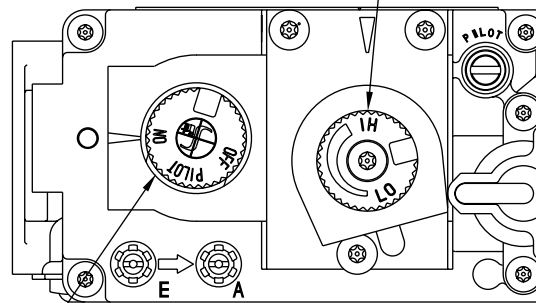


Figure 19. Hi-Lo' Adjustment on the M38DV-ST / ME38DV-ST gas valve.

Note:

M38DV-ST/ME38DV-ST models (electronic ignition) do not feature hi/lo adjustment.

Operation - Model M38DV-ST / ME38DV-ST

with Continuous Pilot

For Your Safety - READ BEFORE LIGHTING:

WARNING: If you do not follow these instructions exactly, a fire or explosion may result causing property damage, personal injury or loss of life.

A. This appliance has a pilot which must be lighted by hand. When lighting the pilot, follow these instructions exactly.

B. BEFORE LIGHTING smell all around the appliance area for gas. Be sure to smell next to the floor because some gas is heavier than air and will settle on the floor.

What To Do If You Smell Gas:


- Do not try to light any appliance.
- Do not touch any electrical switch; do not use any phone in your building.
- Immediately call your gas supplier from a neighbour's phone. Follow the gas supplier's instructions.

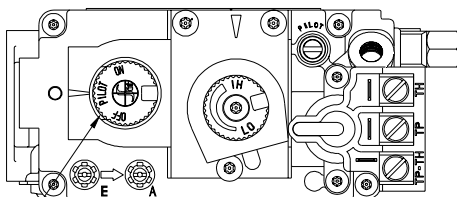
- If you cannot reach your gas supplier, call the Fire Department.

C. Use only your hand to push in or turn the gas control knob. Never use tools. If the knob will not push in or turn by hand, don't try to repair it, call a qualified service technician. Force or attempt to repair may result in a fire or explosion.


D. Do not use this appliance if any part has been under water. Immediately call a qualified service technician to inspect the appliance and to replace any part of the control system, and any gas control which has been under water.

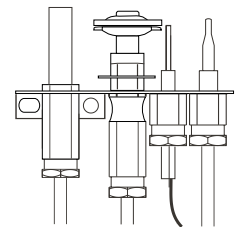
Lighting Instructions:


1. **STOP!** Read the safety information above on this label.
2. Remove lower trims.
3. Push in gas control knob and turn clockwise  to "OFF."
4. Wait five (5) minutes to clear out any gas. Smell for gas, including near the floor. If you then smell gas, **STOP!** Follow "B" in the safety information above on this label. If you don't smell gas, go to the next step.
5. Locate pilot burner (*See illustration at right.*) and follow steps below.



NOTE: Knob cannot be turned from "PILOT" to "OFF" unless knob is pushed in slightly. Do not force.

6. Turn knob on gas control counterclockwise  to "PILOT."
7. Push in gas control knob completely and hold. Light with Piezo Igniter button. Continue to hold the control knob in for about (1) minute after the pilot is lit. Release the knob and it will pop back up. Pilot should remain lit. If it goes out repeat steps 3 through 8.



- If knob does not pop up when released. Stop and immediately call your service technician or gas supplier.
 - If the pilot will not stay lit after several tries, turn the gas control knob to "OFF" and call your service technician or gas supplier.
8. Push in gas control knob and turn counterclockwise  to "ON."
 9. Replace lower trim.
 10. Turn on remote switch to ignite fire.

To Turn Off Gas To Appliance:

1. Turn off remote switch.
2. Remove lower trim.
3. Push in gas control knob slightly and turn  clockwise to "Off". Do not force.
4. Replace trim.

Operation - Model M38DV-ST-I / ME38DV-ST-I

with Honeywell Intermittent Pilot

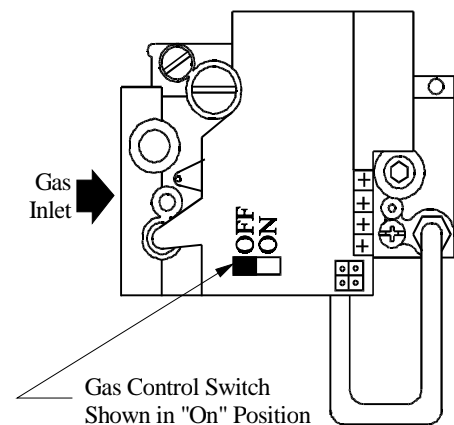
For Your Safety - READ BEFORE LIGHTING:

WARNING: If you do not follow these instructions exactly, a fire or explosion may result causing property damage, personal injury or loss of life.

- A.** This appliance is equipped with an ignition system that lights the pilot burner automatically. **Do not attempt to light the pilot by hand.**
- B. BEFORE LIGHTING** smell all around the appliance area for gas. Be sure to smell next to the floor because some gas is heavier than air and will settle on the floor.
- What To Do If You Smell Gas:**
- Do not try to light any appliance.
 - Do not touch any electrical switch; do not use any phone in your building.
 - Immediately call your gas supplier from a neighbour's phone. Follow the gas supplier's instructions.
- If you cannot reach your gas supplier, call the Fire Department.
- C.** Use only your hand to push in or turn the gas control knob. Never use tools. If the knob will not push in or turn by hand, don't try to repair it, call a qualified service technician. Force or attempt to repair may result in a fire or explosion.
- D.** Do not use this appliance if any part has been under water. Immediately call a qualified service technician to inspect the appliance and to replace any part of the control system, and any gas control which has been under water.

Lighting Instructions:

1. **STOP!** Read the safety information above on this label.
2. Remove lower trims.
3. Turn switch on the gas control to "OFF".
4. Wait 5 minutes to clear out any gas. If you smell gas, **STOP!** Follow "B" in the safety information above on this label. If you don't smell gas, go to the next step.
5. Turn switch on the gas control to "ON". **NOTE:** This unit is equipped with an ignition system that lights the pilot burner automatically. **Do not attempt to light the pilot by hand.**
6. Turn on wall switch.
7. Replace lower trim.
8. If the fireplace does not operate, follow the instructions "To Turn Off Gas To Appliance" and call your service technician or gas supplier.



To Turn Off Gas To Appliance:

1. Turn off remote switch.
2. Remove lower trim.
3. Turn the switch on the gas control to "Off".
4. Replace trim.

Maintenance

CAUTION

- Fireplace gas control must be in the "OFF" position and pilot and main burners extinguished when cleaning appliance with a vacuum.
- Glass and logs can get very hot. Handle only when cool.

General

- Have the fireplace installation inspected yearly, including a visual check of the vent system, the burner and the pilot flame. For your convenience a 1/8" manifold pressure tap is supplied on the gas valve for a test gauge connection. See Figure 6.
- For **Natural Gas** this appliance requires a minimum inlet pressure of 5.5" W.C. and a manifold pressure of 3.5" W.C.
- For **Propane Gas** this appliance requires a minimum inlet pressure of 11" W.C. and a manifold pressure of 10" W.C.
- Always keep the fireplace area clear and free of combustible materials, as well as gasoline and other flammable vapours and liquids.
- Do not use this appliance if any part has been under water. Immediately call a qualified service technician to inspect the appliance and to replace any part of the control system and any gas control which has been under water.

Cleaning

When the fireplace is first activated, there may be some smoking and a visible film may be left on the glass. This is a normal condition, and is the result of burning the protective coatings on new metal.

- Glass must be cleaned periodically to remove any film (a normal bi-product of combustion) which may be visible. Film can easily be removed by removing the door, as shown on page 12. Handle the door carefully, and clean it with non-abrasive glass cleaners. One of the most effective products is Kel Kem.
- Silicone seals on inner door during initial firing will "off gas", leaving a visual deposit of a white substance on combustion chamber walls. This can easily be removed by following the steps described above.
- Use a vacuum cleaner or whisk broom to keep the control compartment, burner, and firebox free from dust and lint.
- Logs may be cleaned periodically with a vacuum to remove soot.

WARNING:

Do not attempt to clean glass when hot.
Do not clean glass with abrasive materials as any glass etching may cause premature glass failure.

Gas Control Valve

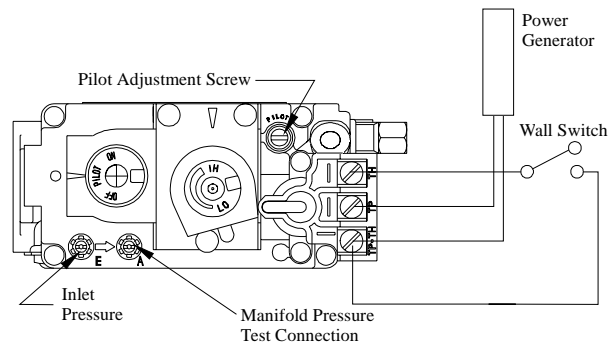


Figure 17a. *Sit Nova 820* gas valve for M38DV-ST and ME38DV-ST.

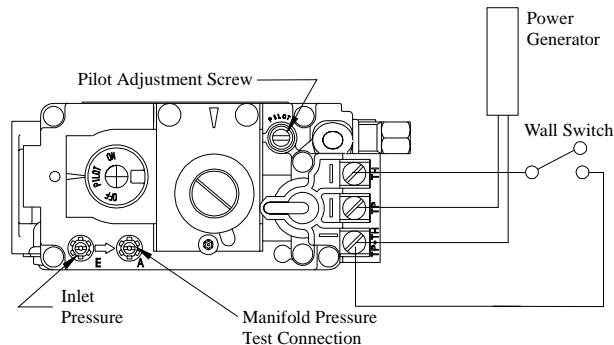


Figure 17b. *Sit 820* gas valve for M38DV-ST (MH).

Pilot Burner Adjustment

1. Locate Pilot Adjustment Screw. (See figure 21.)
2. Turn Adjustment Screw until flame is proper size. (See figure 22).
3. After installing or servicing, leak test with a soap solution with main burner on. Coat pipe and tubing joints, gasket etc. with soap solution. Bubbles indicate leaks. Tighten any areas where the bubbles appear until the bubbling stops completely.

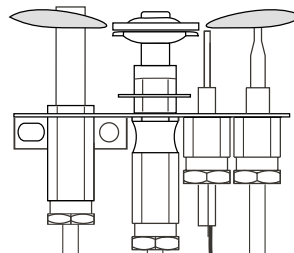


Figure 22. *Pilot Burner*.

Maintenance

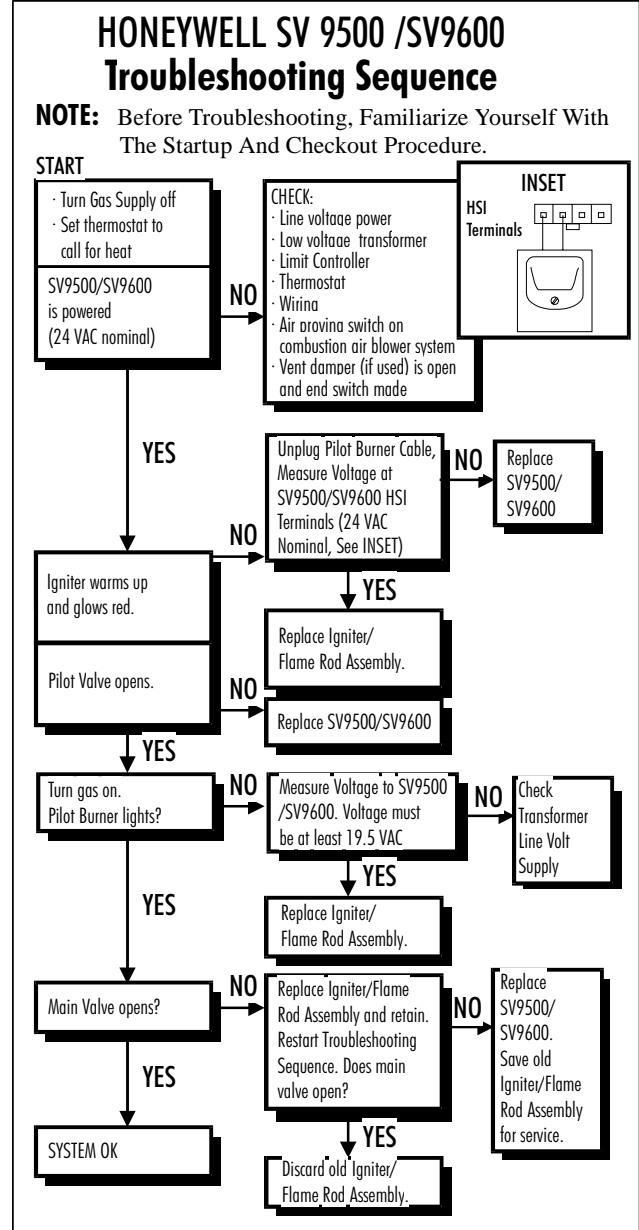
Troubleshooting

Continuous Pilot System Troubleshooting M38DV-ST / ME38DV-ST

The following is a troubleshooting chart of possible problems:

PROBLEM	CORRECTIVE ACTION
Noisy Pilot Flame	Locate Pilot Adjustment Screw. Flame is decreased by turning adjustment screw clockwise.
Pilot won't ignite	Disconnect remote wires and try to light pilot. If pilot now works, remote connections are faulty. Check wiring diagram figure 21 .
Main burner will not light	1. Check wiring (see figure 21) 2. Check wall switch for proper connection.

Intermittent Pilot System Troubleshooting M38DV-ST / ME38DV-ST-I



If your fireplace still does not operate correctly, consult your dealer or the manufacturer.

All service and repairs should be performed by a qualified agency.

All spare parts, optional fans (see optional fan instruction guide), and optional trim finishes are available from Canadian Heating Products Inc. or your local dealer.

Warranty

The Warranty

The Companies warrants the Montigo Gas Appliance to be free from defects in materials and workmanship at the time of manufacture. On the Montigo, there is a ten-year warranty on the firebox and its components, a five-year warranty on the main burner, pilot burner and a one-year warranty on the gas control valve and glass doors.

Remedy And Exclusions

The coverage of this Warranty is limited to all components of the Gas Appliance manufactured by The Companies.

This Warranty only covers Montigo Gas Appliances installed in the United States or Canada.

If the components of the Gas Appliance covered by this Warranty are found to be defective within the time frame stated (see The Companies right of investigation outlined below). The Companies will, at its option, replace or repair defective components of the Gas Appliance manufactured by The Companies at no charge, and will also pay for reasonable labour costs incurred in replacing or repairing components. If repair or replacement is not commercially practical, The Companies will, at its option, refund the purchase price of the Montigo Gas Appliance.

This Warranty covers only parts and labour as provided above. In no case shall The Companies be responsible for materials, components, or construction which are not manufactured or supplied by The Companies, or for the labour necessary to install, repair or remove such materials, components or construction. All replacement or repair components will be shipped F.O.B. the nearest The Companies factory.

Qualifications To The Warranty

The Gas Appliance Warranty outlined above is further subject to the following qualifications:

- (1) The Gas Appliance must be installed in accordance with The Companies installation instructions and local building codes. The Warranty on this Montigo Gas Appliance covers only the component parts manufactured by The Companies. The use of components manufactured by others with this Montigo Gas Appliance could create serious safety hazards, may result in the denial of certification by recognized national safety agencies, and could be in violation of local building codes. This warranty does not cover any damages occurring from the use of any components not manufactured or supplied by The Companies
- (2) The Montigo Gas Appliance must be subjected to normal use. The Gas Appliances are designed to burn gas only. Burning conventional fireplace fuels such as wood, coal or any other solid fuel will cause damage to the Gas Appliance, will produce excessive temperatures and will result in a fire hazard.

Limitations On Liability

It is expressly agreed and understood that The Companies sole obligation, and purchaser's exclusive remedy under this Warranty, under any other warranty, expressed or implied, or in contract, tort or otherwise, shall be limited to replacement, repair, or refund, as specified above.

In no event shall The Companies be responsible for any incidental or consequential damages caused by defects in its products, whether such damage occurs or is discovered before or after replacement or repair, and whether or not such damage is caused by The Companies negligence. Some states do not allow the exclusion or limitation of incidental or consequential damages, so the above limitation or exclusion may not apply to you. The duration of any implied warranty with respect to this Montigo Gas Appliance is limited to the duration of the foregoing warranty. Some states do not allow limitation on how long an implied warranty lasts, so the above may not apply to you.

Investigation Of Claims Against Warranty

The Companies reserves the right to investigate any and all claims against this Warranty and to decide upon method of settlement.

The Companies Are Not Responsible For Work Done Without Written Consent

The Companies shall in no event be responsible for any warranty work done without first obtaining The Companies written consent.

Dealers Have No Authority To Alter This Warranty

The Companies employees and dealers have no authority to make any warranties nor to authorize any remedies in addition to or inconsistent with those stated above.

How To Register A Claim Against Warranty

In order for any claim under this Warranty to be valid, The Companies must be notified of the claimed defect in writing or by telephone, as soon as reasonably possible after the defect is discovered. Claims against this Warranty in writing should include the date of installation, and a description of the defect.

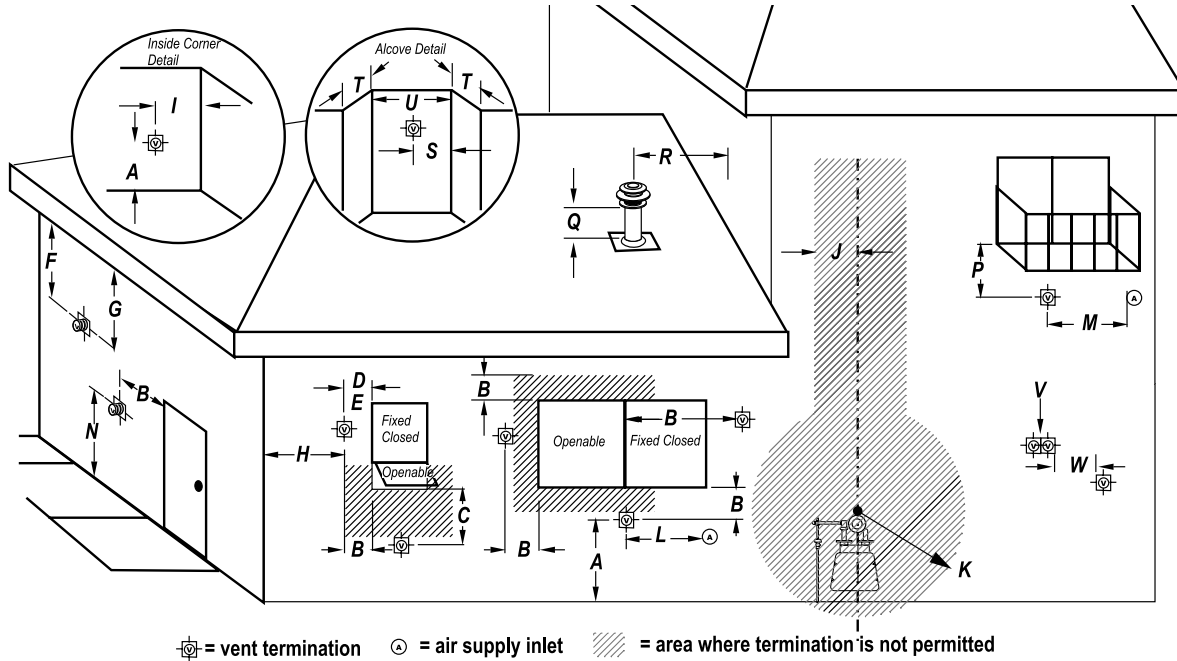
Other Rights

This Warranty gives you specific legal rights, and you may also have other rights which vary from state to state.

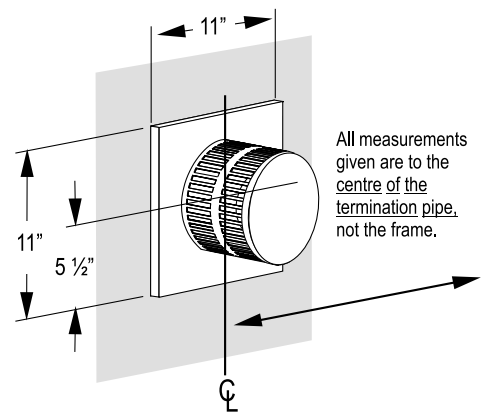
NOTE: *The Companies* as stated above refer to - Canadian Heating Products Inc. and/or Montigo Del Ray Corp.

Canadian Heating Products Inc. and/or Montigo DelRay Corp. reserves the right to make changes at any time, without notice, in design, materials, specifications, prices and also to discontinue colors, styles and products.

Appendix A - Termination Locations



- A** = clearance to the termination frame above grade, veranda, porch, deck, or balcony [16 inches (41 cm) minimum]
- B** = clearance to door, or sides and top of window, that may be opened [16 inches (41 cm) minimum for appliances ≤100 000 BTU/H (30kW)]
- C** = clearance to bottom of window that may be opened horizontally [36 inches (92 cm) minimum for appliances ≤100 000 BTU/H (30kW)]
- D** = no clearance to permanently closed window when installed with approved glass penetration termination
- E** = clearance to permanently closed window [16 inches 41 cm recommended to prevent condensation on window]
- F** = vertical clearance to ventilated soffit located above the termination within a horizontal distance of 2 feet (61 cm) from the centreline of the termination [22 inches (56 cm) minimum]
- G** = clearance to unventilated soffit [16 inches (41 cm) minimum to non-combustibles] [22 inches (56 cm) minimum to combustibles]
- H** = clearance to outside corner [9 inches (23 cm) minimum]
- I** = clearance to inside corner [12 inches (31 cm) minimum]
- J** = * not to be installed above a meter/regulator assembly within 40" (103 cm) horizontally from the centreline of the regulator
- K** = clearance to service regulator vent outlet [3 feet minimum in the United States] [6 feet (1.8 m) minimum in Canada]
- L** = clearance to nonmechanical air supply inlet to building or the combustion air inlet to any other appliance [16 inches (41 cm) minimum for appliances ≤100 000 BTU/H (30kW)]
- M** = clearance to mechanical air supply inlet [6 feet (1.8 m) minimum]
- N** = † clearance above paved sidewalk or a paved driveway located on public property [7 feet (2.1 m) minimum]
- P** = clearance under veranda, porch, deck, or balcony [16 inches (41 cm) minimum† to non-combustibles] [22 inches (56 cm) minimum† to combustibles]
- Q** = clearance above a roof [24 inches (61 cm) minimum]
- R** = clearance to adjacent walls and neighbouring buildings [18 inches (46 cm) minimum]
- S** = clearance from corner in recessed location [12 inches (31 cm) minimum]
- T** = maximum depth in recessed location [48 inches (122 cm) minimum]
- U** = minimum width for back wall of recessed location [24 inches (61 cm) minimum]
- V** = no horizontal clearance between the frames of two terminations that are level.
- W** = horizontal clearance between the frames of two terminations that are not level. [36 inches (92 cm) minimum]





XG0201 Rev. 0203/2001

Canadian Heating Products Inc.
Langley, BC V4W 4A1

Montigo Del Ray Corp.
Ferndale, WA 98248