



## Installation Operation & Maintenance

# MD44-DV

## Direct-Vented Gas Fireplace

### Warning:

Improper installation, adjustment, alteration, service or maintenance can cause injury or property damage. Refer to this manual. For assistance or additional information consult a qualified installer, service agency or the gas supplier.

### For Your Safety:

Do not store or use gasoline or other flammable vapors and liquids in the vicinity of this or any other appliance.

- *Check local codes and read all instructions prior to installation.*
- *Leave this manual with the owner.*

### What To Do If You Smell Gas:

- Do not try to light any appliance.
- Do not touch any electrical switch; do not use any phone in your building.
- Immediately call your gas supplier from a neighbor's phone. Follow the gas supplier's instructions.
- If you cannot reach your gas supplier, call the fire department.



# Table Of Contents

**Introduction** ..... 2

**Installation** ..... 3 - 12

Installing the Fireplace Shell ..... 3

Installing the Gasline ..... 4

The Remote Switch ..... 4

Direct Vent Installation ..... 4

General Requirements ..... 4

Terminations ..... 5

Top Vent Models with horizontal runs ..... 6

Top Vent Models with vertical runs ..... 8

Rear Vent Models ..... 9

Construction around the fireplace

Facing ..... 10

Mantels and Surrounds ..... 10

Installing the Logset ..... 10

Pilot Burner Adjustment ..... 11

Gas Control Valve ..... 11

Optional Blowers ..... 11

Removing and Installing the Insert ..... 12

Removing and Installing the Door ..... 12

**Operation** ..... 13

**Maintenance** ..... 14

**Warranty** ..... 15

# Introduction

The **MD44-DV** is a direct-vented gas fireplace equipped with a double burner. It is available in four models:

- Top Vent (Model **MD44DT**)
- Rear Vent (Model **MD44DR**)
- Intermittent Pilot - Top Vent (Model **MD44DT-I**)
- Intermittent Pilot - Rear Vent (Model **MD44DR-I**)

This manual covers both models and unless otherwise specified, the designation MD44-DV refers to both models. Sections which are specific to a particular model are marked with a symbol, plus the appropriate model number.

The MD44-DV is rated for:

- Natural Gas at 36,000 BTU/H (10.5 Kilowatts) Max. Input, and 10,000 BTU/H (2.9 Kilowatts) Min. Input when the rear burner is turned off
- Propane at 36,000 BTU/H (10.5 Kilowatts) Max. Input, and 10,000 BTU/H (2.9 Kilowatts) Min. Input when the rear burner is turned off

The Montigo warranty will be voided by, and Montigo disclaims any responsibility for, the following actions:

- Modification of the fireplace and/or components including Direct-Vent assembly or glass doors.
- Use of any component part not manufactured or approved by Montigo in combination with this Montigo fireplace system.
- Installation other than as instructed in this manual.

Consult your local Gas Inspection Branch on installation requirements for factory-built gas fireplaces. Installation & repairs should be done by a qualified contractor.

**Installations in Canada** must conform to the current **CAN/CGA B-149.1** and **.2** Gas Installation Code and local regulations. When the unit employs the *optional* Blower Kit (part no. RFK1060), it must be electrically grounded in accordance with **CSA C22.1** Canadian Electrical Code Part 1 and/or Local Codes.

**Installations in the USA** must conform to the National Fuel Gas Code, **ANSI Z223.1-1988**. When the unit employs the *optional* Blower Kit it must be grounded in accordance with local codes or, in the absence of local codes, with the National Electrical Code, **ANSI/NFPA 70-1987**.

**CAUTIONS**

Due to its high operating temperatures, the appliance should be located out of traffic & away from furniture and draperies.

- Children and adults should be alerted to the hazards of the high surface temperature, which could cause burns or clothing ignition.
- Young children should be carefully supervised when they are in the same room as the appliance.
- Clothing or other flammable materials should not be placed on or near the appliance.

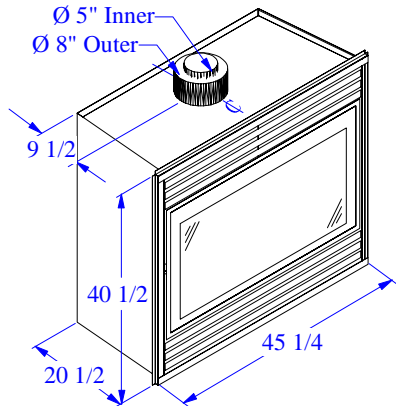
# Installation



## Installing The Fireplace Shell

The fireplace may be installed in any location that maintains proper clearances to air conditioning ducts, electrical wiring and plumbing. Safety, as well as efficiency of operation, must be considered when selecting the fireplace location. Try to select a location that does not interfere with room traffic, has adequate ventilation, and offers an accessible pathway for Direct Vent installation. Refer to page 4 - *Vent Installation* for more information.

The fireplace dimensions are shown below:



**Figure 1.** Fireplace dimensions.

### Clearances

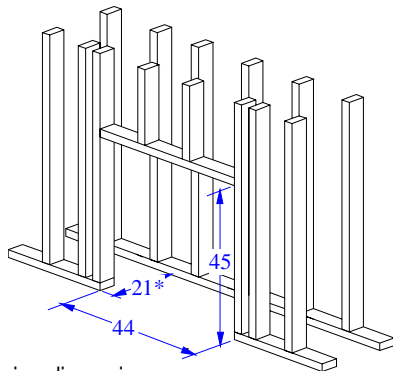
These clearances apply to all dimensions *except the framed opening*, where the clearance to combustibles is **0"**. The **MD44-DV** clearances to combustible materials are:

Top - Rear Vent*	10"
Top - Top Vent*	44"
Back	0"
Side	0"
Floor	0"
Mantle**	8"

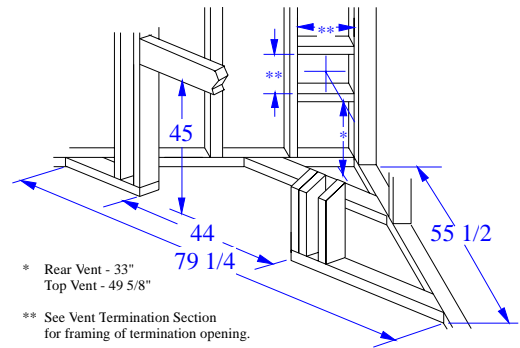
\* Clearance from the top of the fireplace to a combustible ceiling within the fireplace enclosure.

\*\* Refer to page 10.

### Framing



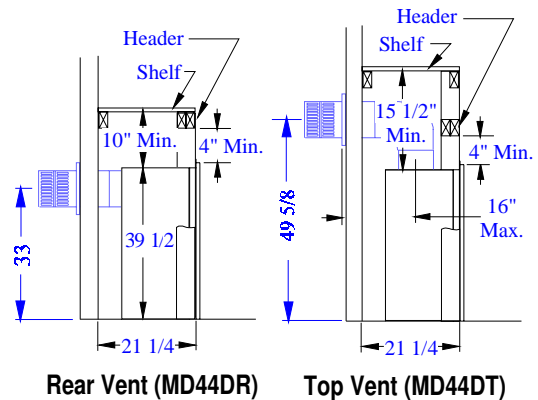
**Figure 2.** Framing dimensions.



**Figure 3.** Corner framing dimensions.

When installing a shelf over the top of the fireplace, the following guidelines must be adhered to: For Rear Vent models (**MD44DR**), the minimum clearance from the top of the fireplace to a shelf is 10". For Top Vent models (**MD44DT**), the normal minimum clearance is 44". *However*, if the horizontal vent run is 12" or less, then the top clearance is reduced to 15 1/2". (*Minimum 1" clearance must still be maintained around the vent pipes.*)

See Figure 4.



**Figure 4.** Framing for shelves over the fireplace.

Unprotected combustible walls which are perpendicular to the fireplace opening, must not project beyond the shaded area shown in Figure 19b.

For protection against freezing temperatures, it is recommended that outer walls of the chase be insulated with a vapour barrier. This will reduce the possibility of a cold-air convection current on the fireplace.

### WARNING:

When this appliance is installed directly on carpeting, tile or any combustible material other than wood flooring, it must be installed on a metal or wood panel extending the full width and depth of the appliance.

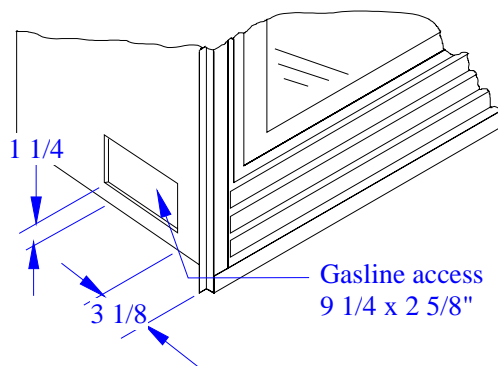


# Installation

## Installing The Gas Line

The gas line must be installed before finishing the D44DV Fireplace. **Natural Gas** requires a minimum inlet gas supply pressure of 5.5" W.C. & a manifold pressure of 3.5" W.C. **Propane Gas** requires a minimum inlet gas supply pressure of 11" W.C. & a manifold pressure of 10.5" W.C. Provision must also be made for a 1/8" N.P.T. plugged tapping and be accessible for test gauge connection immediately upstream of the gas supply controls to the appliance. The fireplace gas connection and the main operating gas valve is located behind the removable brass trim at the bottom of the unit and need only be attached to the gas line with an approved fitting, as required by the **applicable installation codes**.

The appliance and its individual shutoff valve must be disconnected



**Figure 5.** Gas line access.

from the gas supply piping system during any pressure testing of that system at test pressures in excess of 1/2 psig (3.5 kPa).

The appliance must be isolated from the gas supply piping system by closing its individual manual shutoff valve during any pressure testing of the gas supply piping system at test pressures equal to or less than 1/2 psig (3.5 kPa).

\* After gas line is connected **each appliance connection, valve and valve train** must be checked while under normal operating pressure with either a liquid solution, or leak detection device, to locate any source of leak." Tighten any areas where bubbling appears or leak is detected until bubbling stops completely or leak is no longer detected. **Do NOT** use a flame of any kind to test for leaks.

## Installing The Remote Switch

The MD44-DV's gas valve, located behind the lower brass trim, may be connected to a wall switch. The valve generates its own power on a millivolt circuit. Use only low voltage wire, and DO NOT connect any external power to it.

Refer to Figure 21 for wiring requirements.

**Note:** The switch location must not exceed 30' from the fireplace.

## Vent Installation

This section covers the installation of direct venting and terminations.

### Installation Requirements

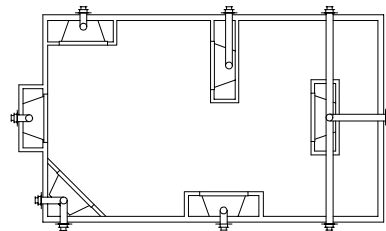
- This fireplace use **Premium Series (5" dia.) Venting components** with:
- Minimum **1" clearance to combustibles** required for vent pipes
- Use only *certified Montigo vent components*. (Use of other parts will void the Montigo warranty, and may impede the operation of the fireplace.)
- All joints must be secured with a minimum of two screws per joint
- Vent terminations must not be recessed in walls or siding
- Horizontal runs must be supported by a minimum of two supports per horizontal run. A minimum of one screw on each side of support is also required
- Flex vent sections may be stretched up to 50% of their total length (eg. a 24" section may be stretched to 36")
- Maximum horizontal run for a flex section with no vertical rise is 3 feet.
- Flex vent sections over 3 feet must fall within the limits set by the venting graph and must have a minimum vertical rise of 3 inches per foot of flex.
- Solid vent sections may be cut less than half way from the tapered end
- Venting components can be used in any combination of solid/rigid pipe or flex pipe and in any orientation (Male connectors can face in any direction)

### Vent Terminations

#### Selecting A Termination Location

Choosing your vent termination location will help to determine whether you need to use a top vent or rear vent fireplace. Figure 6, below, shows typical fireplace locations and the venting options they provide.

For a more detailed diagram of allowed termination locations, see **Appendix B**.



**Figure 6.** Fireplace locations and vent terminations.

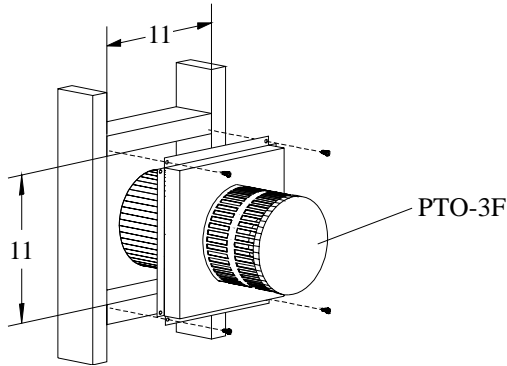
### Cautions:

- Vent terminations can be very hot. If the termination is less than 7 feet above a public walkway, it should be fitted with a certified Montigo Heat Guard. (Part no. PTKOG)
- Do not obstruct, or attempt to conceal, the vent termination. These actions will affect the operation of the fireplace, and may be hazardous.
- In heavy snow areas, take extra care to prevent snow buildup from obstructing the vent termination.

# Installation

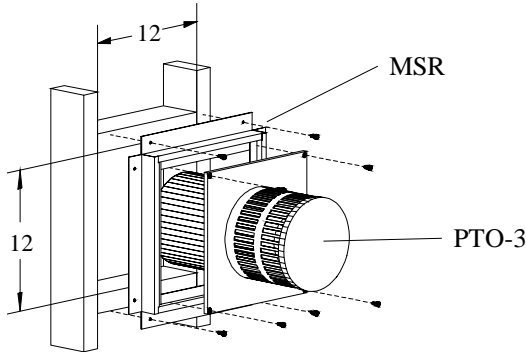


## Installing Terminations with Built-In Frames



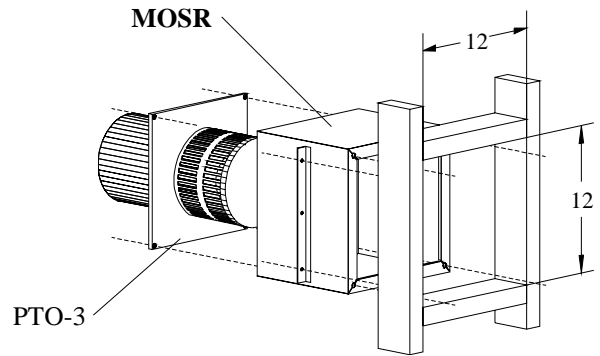
1. Frame the termination opening to 11" x 11".
2. Fasten the termination to the studs using a minimum of 4 screws.

## Installing Terminations with MSR Frames



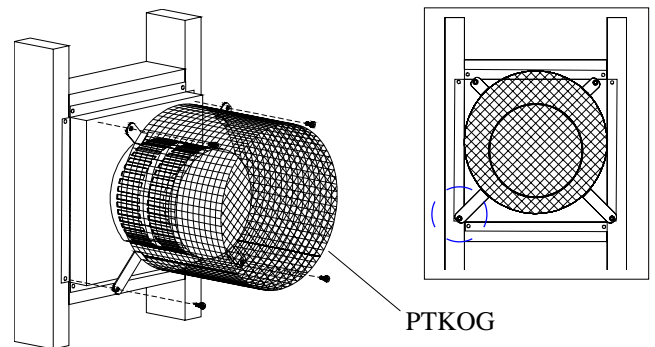
1. Frame the termination opening to 12" x 12".
2. Fasten the termination to the studs using a minimum of 4 screws.

## Installing Terminations with MOSR Frames



1. Frame the termination opening to 12" x 12".
2. Fasten the MSR frame to the interior side of the studs using a minimum of 4 screws.
3. Insert the termination into the MSR frame as shown here, and attach by screwing through the four pilot holes in the termination.

## Installing Heat Guards over Terminations



1. Ensure that the two **long** mounting brackets are facing the bottom of the termination. (See inset). This will provide more heat protection at the top of the termination, where temperatures are highest.
2. Attach to the faceplate of the termination using four sheet metal screws.



# Installation Top Vent

## Top Vent Venting Runs

Before you install any venting, you must determine whether the venting run will be acceptable. Unacceptable venting can affect the fireplace's combustion.

- the maximum horizontal vent run for a Top Vented unit is 20 feet

### The Venting Graph

Measure the vertical height from the fireplace hearth to the centre of the termination and the horizontal run from the fireplace flue collar to the wall flange of the termination. Plot on the Venting Graph (Fig. 9) with an 'X'.

If the 'X' falls on or above the top boundary of the shaded area, the installation is acceptable.

#### Example A: (Acceptable Installation)

If the vertical dimension from the floor of the fireplace is 11 ft. and the horizontal run to the wall flange of the vent termination is 15 ft., this would be an acceptable installation.

#### Example B: (Acceptable Installation)

If the vertical dimension from the floor of the fireplace is 7 ft. and the horizontal run to the wall flange of the vent termination is 10 ft., this would be an acceptable installation.

#### Example C: (Unacceptable Installation)

If the vertical dimension from the floor of the fireplace is 4 ft. and the horizontal run to the wall flange of the vent termination is 7 ft., this would **NOT** be an acceptable installation.

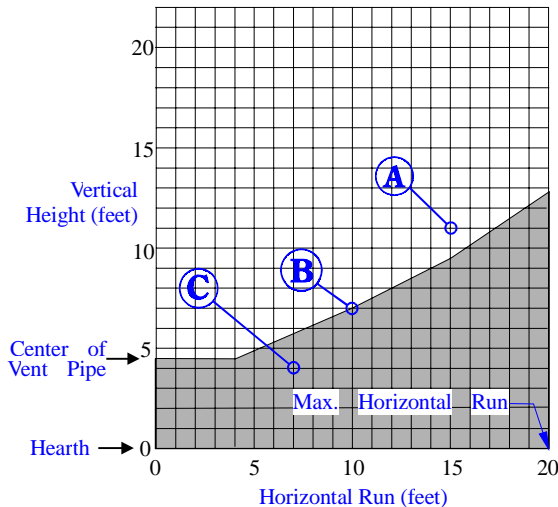


Figure 7. Venting Graph

## Installation Of Top Vent DV

The following venting components are available for the MD44-DV Top Vent:

A - Termination	PTO-3 (3" length) PTO-3F (3" length)
B - Termination Frames	MSR (stucco frame) MOSR (stucco can) BSR (brick can)
C - Solid section & elbow	PIHR-6 (72" length) PIHR-10 (120" length)
D - Flex sections	PFL-1 (12" section) PFL-2 (24" section) PFL-3 (36" section) PFL-4 (48" section)
E - Solid sections	PXT-18 (18" f/f section) PEXT-1 (12" m/f section) PEXT-2 (24" m/f section) PEXT-3 (36" m/f section) PEXT-4 (48" m/f section) PEXT-6 (72" m/f section)
F - Elbows	PEL-90M (m/m 90° elbow) PEL-90F (f/f 90° elbow) PEL-90FM (f/m 90° elbow)

#### Example:

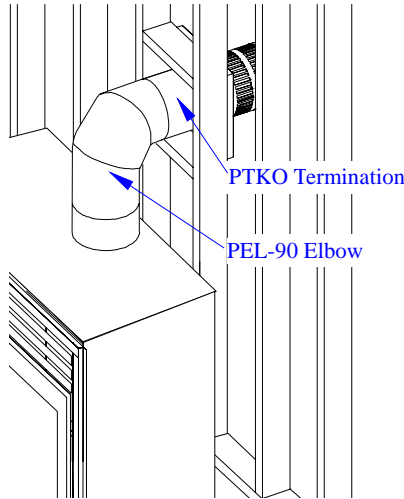
For our shortest venting configuration use components A and F (see Figure 8).

#### Example:

A 10' section and elbow (PIHR-10) used in conjunction with 3 ft. flex section (PFL-3) will, when extended in a five foot chase, allow for a maximum horizontal run of twelve and one-half feet from the centre of the fireplace to outside wall and a minimum of 7'6" when retracted in opposite direction (see Figure 10 and 11).

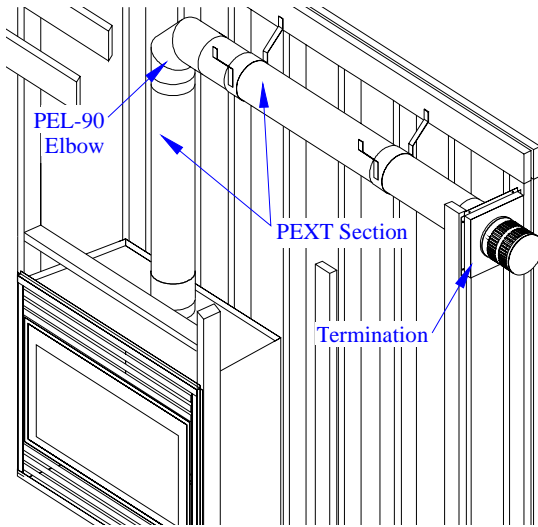
"D" flex sections and "E" solid sections may be used in conjunction with one another to obtain different possible horizontal length installations. **NOTE:** Flex section must not exceed maximum horizontal length of 3 feet. (see Figure 12).

Installation **Top Vent**



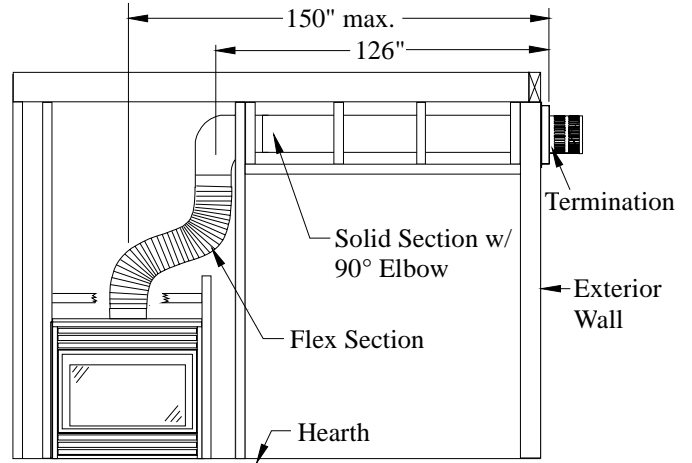
**Figure 8.** Simple Top Vent installation. If the 90° elbow is installed directly on the fireplace, the height to the center of the termination is 49 5/8".

**Horizontal Venting**

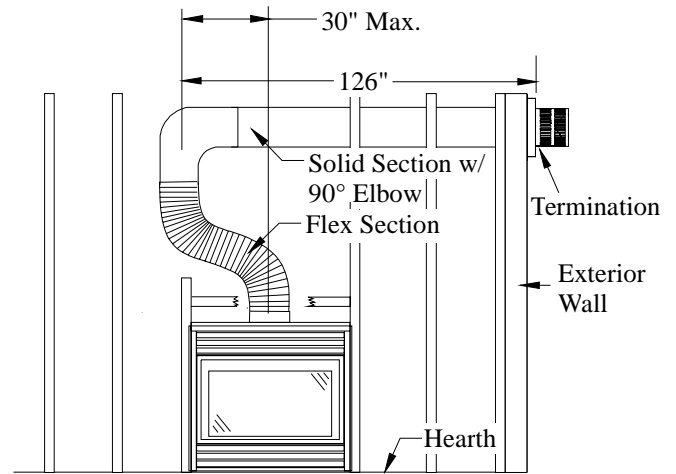


**Figure 9.** Typical Top Vent installation. The solid sections can be used in various combinations to obtain the desired vent run. The vent run must fall within the limits set by the venting graph.

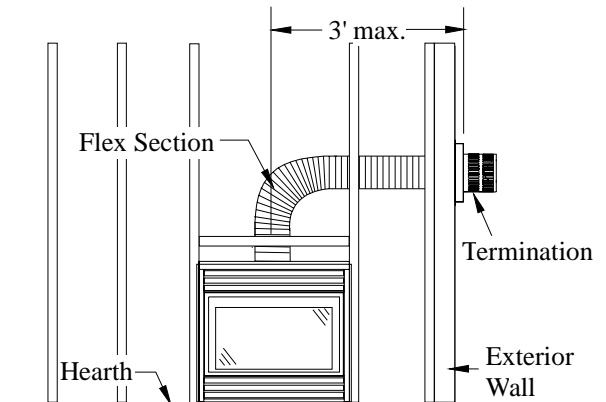
- NOTES:**
- All dimension lengths for vertical or horizontal runs are measured from center of the 7" elbow.
  - Venting runs *must* fall within the limits set by the venting graph (see Figure 7).
  - Flex sections with no vertical rise must not exceed maximum horizontal length of 3 feet (see Figure 12).
  - Flex runs over 3 feet must fall within the limits set by the venting graph, and must have a minimum vertical rise of 3" per foot of flex.



**Figure 10.** Extended installation using PIHR-10.



**Figure 11.** Retracted installation using PIHR-10.



**Figure 12.** Horizontal flex installation with no vertical rise.



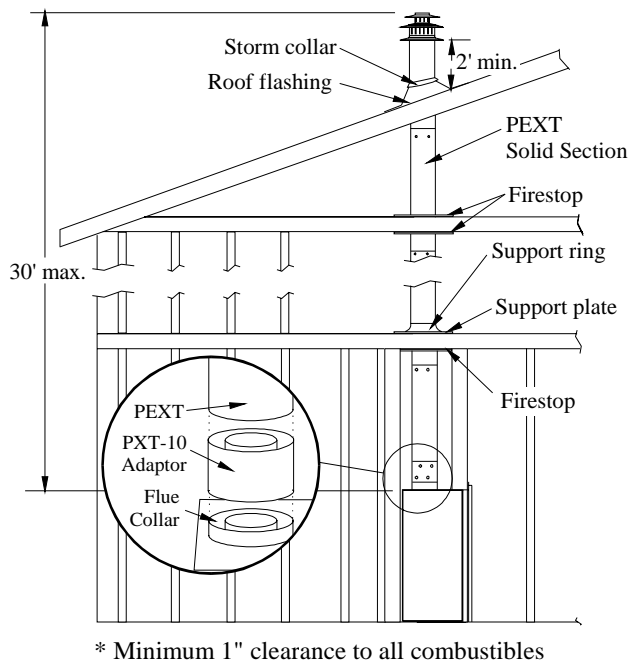
# Installation Top Vent

## Installation Of Vertical Vent DV

- Vertical Terminations must be installed:
  - minimum 2' (two feet) above the highest point where vent passes through the roof.
  - minimum 6' (six feet) from a mechanical air inlet
  - minimum 18" (1 1/2 feet) from a parapet wall.
- Maximum vent height is 30 feet above fireplace.
 

Note: Flame characteristics will change if the maximum vent height is used.
- Minimum clearances 1" from vent to all combustibles must be maintained.

A - Termination	PVTK-1
B - Flex sections	PFL-1 (12" section) PFL-2 (24" section) PFL-3 (36" section) PFL-4 (48" section)
C - Solid sections	PEXT-1 (12" section) PEXT-2 (24" section) PEXT-3 (36" section) PEXT-4 (48" section) PEXT-6 (72" Section)
D - Support Ring & Plate	PSPXT-8 (8" dia.)
E - Firestop	PS-8 (8" dia.)
F - Roof Flashing	PRF-7 (1/12 - 7/12 pitch) PRF-12 (7/12 - 12/12 pt.) PRF-16 (12/12 - 16/12 pt.)



**Figure 13.** Straight, vertical venting using the required PXT-10 adaptor.

- A maximum of two offsets (each offset has two 90° bends) may be made and shall not exceed total length of 25% of the vertical vent height, when measured center to center of piping.

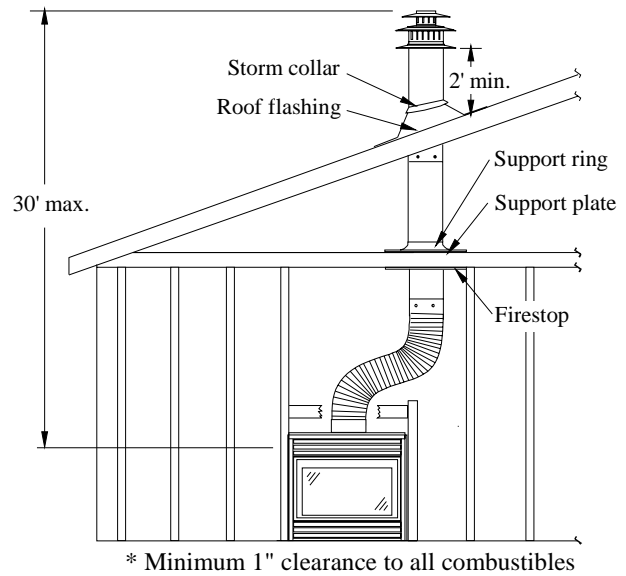
Example: Typical vent installation.

20' vertical vent

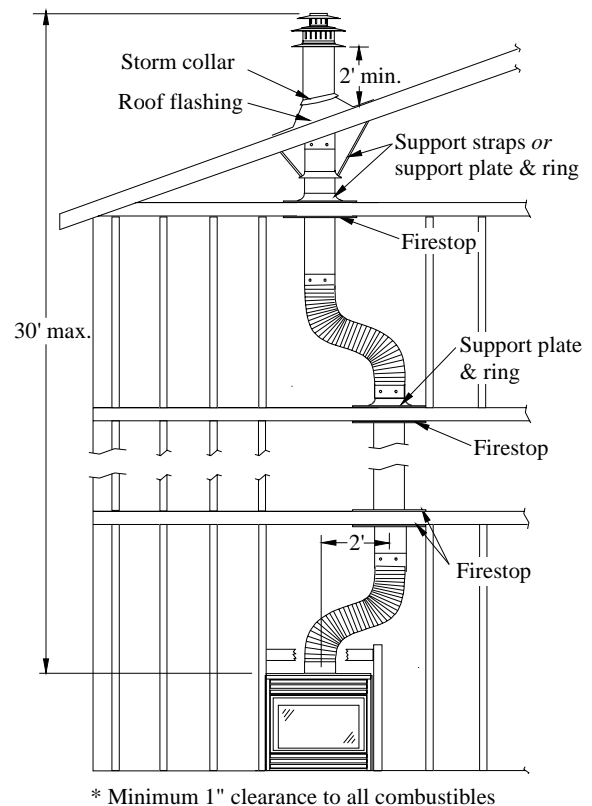
2 - 2' offsets required

25% of 20' = 5' max. offset allowed

This venting configuration meets requirements.



**Figure 14.** Vertical venting with 1 offset (1 offset= two 90° bends).



**Figure 15.** Vertical venting with 2 offsets (1 offset= two 90° bends).





## Rear Vent Venting Runs

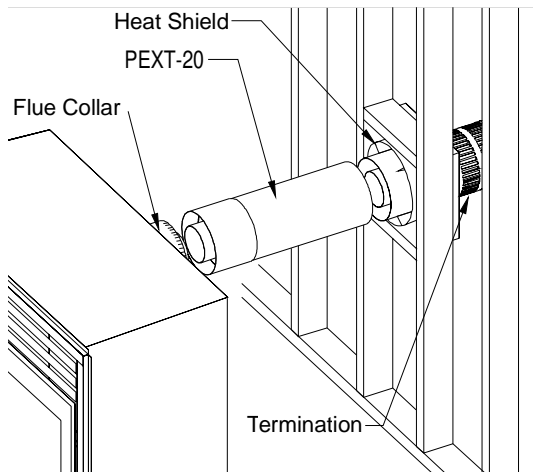
The MD44-DVRV has three possible installations:

### 1. Straight Installation.

The height from the hearth to the center of the termination is 33". MD44-DV Rear Vent versions are supplied with an 20" extension pipe (PEXT-20) with female/female connections. For shorter installations, cut the PEXT-20 to the desired length.

For extended installations, use the PEXT-20 section as supplied for an 18" vent run.

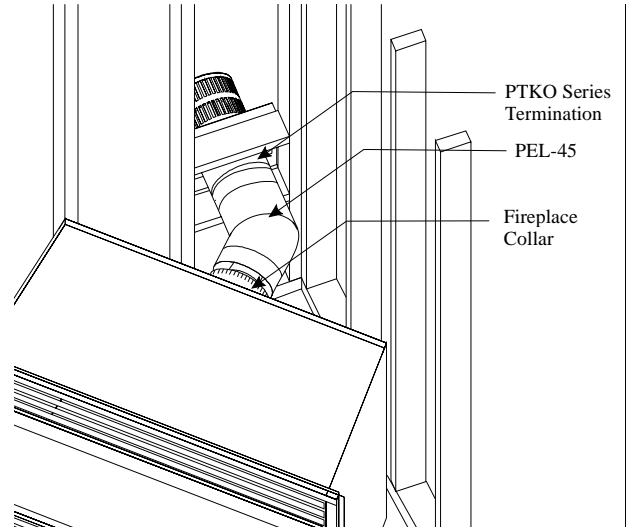
**Note:** For Rear Vent models, maximum horizontal run with no vertical lift must never exceed 20".



**Figure 16.** *Straight installation.*

### 3. 45° Corner Installation.

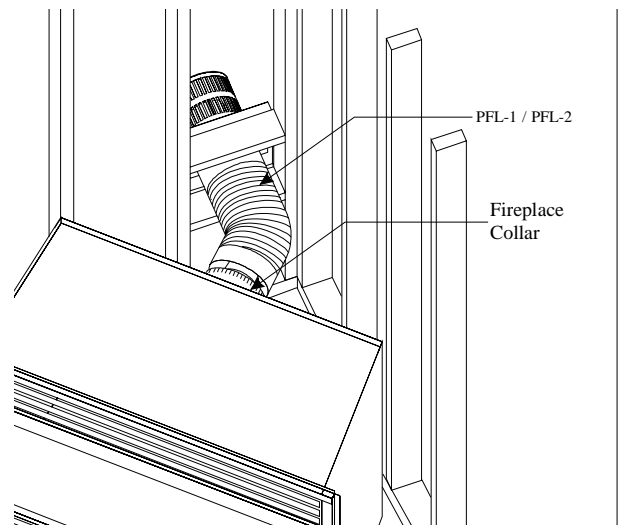
Use a 45° elbow, and a termination (and frame, if appropriate).



**Figure 17.** *Corner installation.*

### 4. Corner Installation - 45° or less.

Use a PFL-1 or -2 flex section (12" or 24" compressed length) and a termination (and frame, if appropriate). Flex may be turned to obtain desired degree of angle required but must not exceed 45°. See diagram below:



**Figure 18.** *Flex installation.*

# Installation

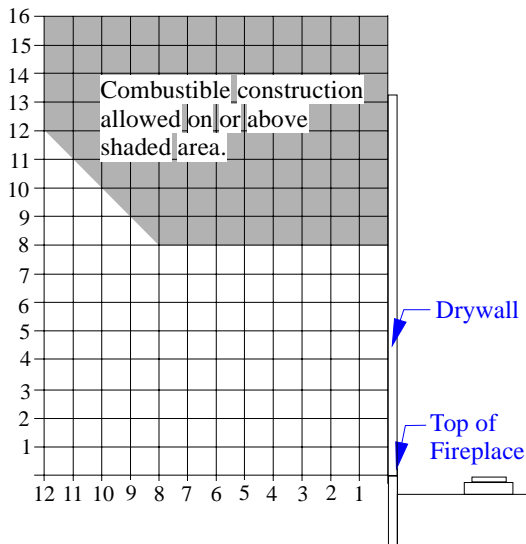
## Finishing Around the Fireplace

Combustible mantels and mouldings may be safely installed over the top and on the front of the fireplace provided that they do not project beyond shaded area shown in **Figure 19a**. Side wall clearances are 3". Combustible surrounds may be installed with 3" clearance to the side of the fireplace as shown in **Figure 19b**.

### Fireplace Facing

When selecting the finish material for your fireplace, it is important to remember the following: **HORIZONTAL TRIMS MUST NOT BE OBSTRUCTED IN ANY WAY - to do so restricts the air supply for the control compartments and heat exchanger it also prevents access for servicing controls.**

The face of the fireplace may be painted to match the room decor, provided you use a heat-resistant paint. Decorative facing must not extend past the fireplace opening at all, because it will interfere with the access to retainers for removal of glass door.



**Figure 19a.** Combustible mantles and facings.

### Mantels & Surrounds

**NOTE:** National Canadian Gas Association mantel test requirements are for fire hazard prevention to combustible materials.

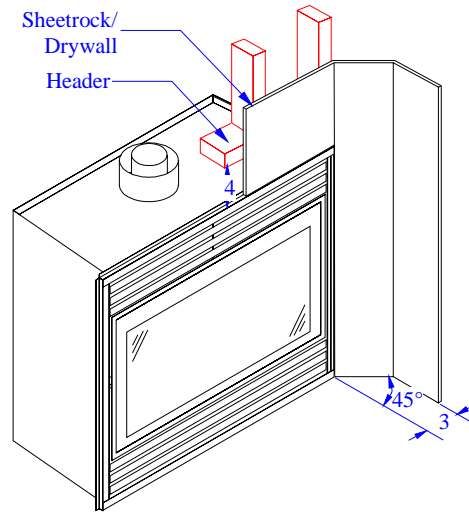
New technology, to meet consumer and government demands for the wise use of energy, has prompted us to manufacture many models of fireplaces which are hot, fuel and energy efficient.

Please be aware; temperatures over the mantel will rise above normal room temperature and walls above fireplace may be hot to touch.

We recommend careful consideration be given to the effects of elevated mantel temperatures which may be in excess of product

design, for example: candles, plastic or pictures. This can cause melting, deformation, discoloration or premature failure of T.V. and radio components.

### Painting:

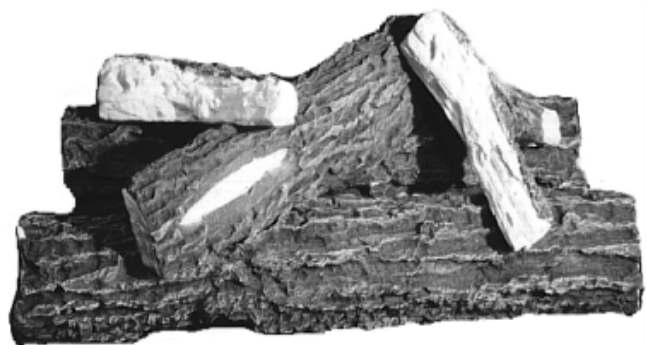


**Figure 19b.** Combustible surrounds.

Special care is recommended by the Master Painters and Decorators Association, when painting the fireplace surrounds, to select and apply a quality **Alkyd sealer** prior to the applying of latex paints. This is to prevent leaching of water from evaporation and causing a brownish staining effect to paint over coats.

### Installing the Log Set

The **MD44-DV** is supplied with five (5) fibre logs. The two large bottom logs are factory mounted and cannot be moved. Mount the three top logs by placing them as indicated in **Figure 20a** (below). Ember material, supplied in 6 oz bag, should be placed in the tray along the front of the burner.



**WARNING:** If logs are not placed properly, excessive sooting will result.

**Figure 20a.** Log Installation.

# Installation



It is extremely important that you do not cover the **Carry Over Port** with embers. **Doing so may cause delayed ignition of the burner.** Embers may be placed in the burner tray and over the burner head. Keep the burner ports clear as much as possible as this will allow for the best "Glow" of the embers. See the illustration below for details.

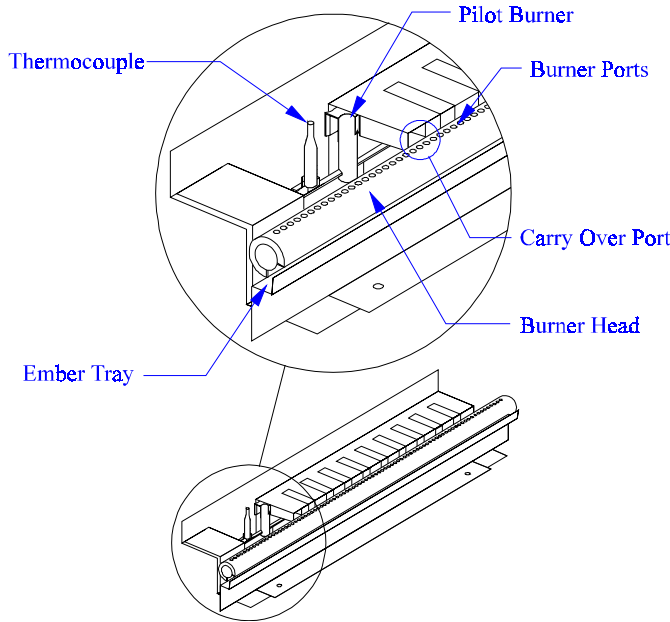


Figure 20b. Burner detail.

## Wiring

### Gas Control and Pilot Wiring

MD44-DV-I

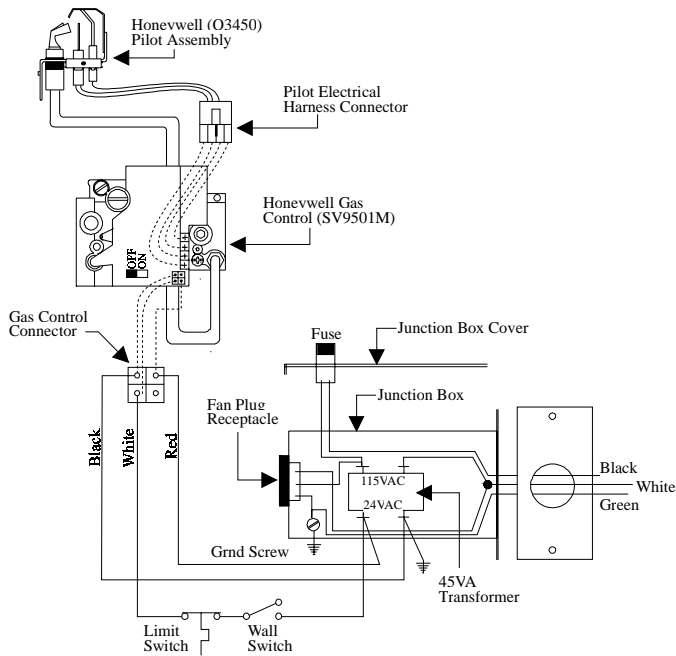


Figure 15. Wiring for the MD44-DV-I with Honeywell gas control and pilot.

## Optional Blowers

The MD44-DV fireplaces features an optional blower kit for increasing heat circulation into the living space. (Part No. RFK1060).

**Installations in Canada** which employ the *optional Blower Kit*, must be electrically grounded in accordance with **CSA C22.1** Canadian Electrical Code Part 1 and/or Local Codes.

**Installations in the USA** employ the *optional Blower Kit*, must be grounded in accordance with local codes or, in the absence of local codes, with the National Electrical Code, **ANSI/NFPA 70-1987**.

**NOTE:** If any of the original wire supplied with the appliance is replaced, it must be replaced with the same type, or its equivalent.

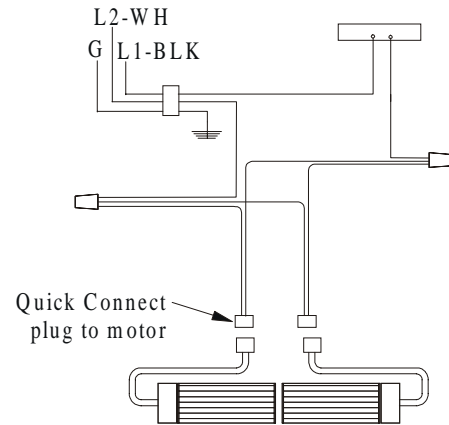


Figure 23a. Wiring for optional blowers.

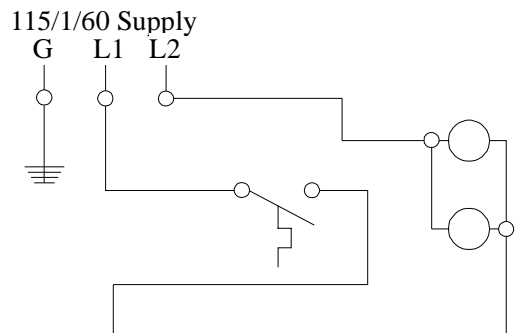


Figure 23b. Wiring schematic for optional blowers.



# Installation

## Removing and Installing the Insert

You may **remove the insert** to protect it from theft and damage during construction.

1. Remove the two machine screws (1 left & 1 right) at the top of the insert that attach the insert to the shell. *See Inset 1.*
2. Remove the fresh air flex from the collars on the shell. *See Figure 24. Important: Be careful not to damage the fresh air flex during removal or storage.*
3. Remove the 4 machine screws that hold the venting plate to the insert.
4. Remove the insert by tipping the top of the insert outward and lifting the tabs past the slots in the bottom of the shell. *See Inset 2.*

Store the screws and clamps in a safe place to ensure that they are not lost.

To **re-install the insert** simply reverse the steps above.

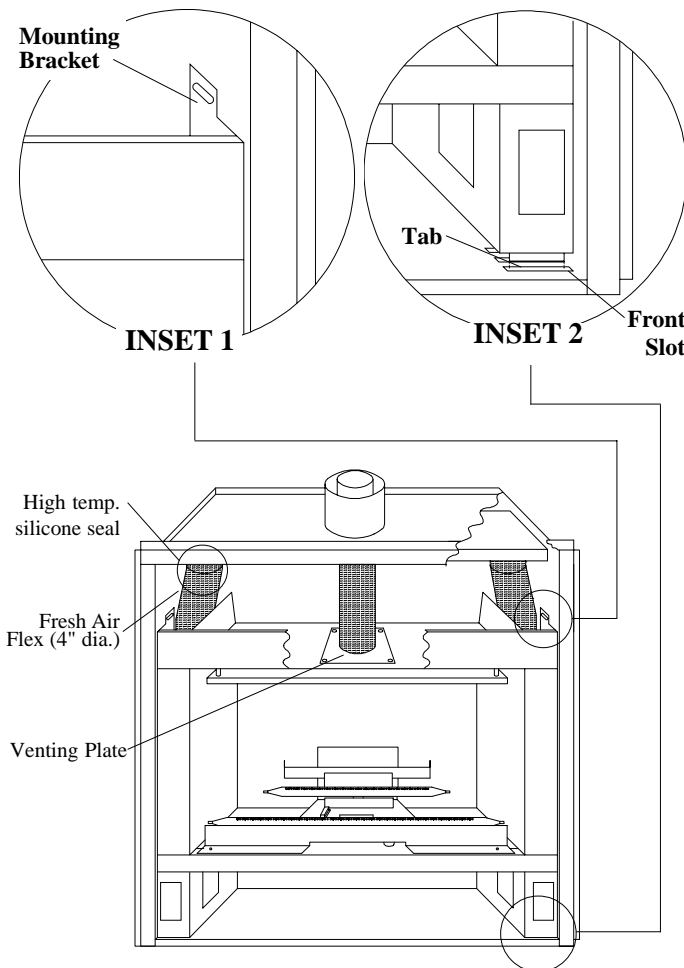


Figure 24. MD44-DV insert.

## Removing and Installing the Door

### Removing the door surround:

The door surround is held in place by two metal clips at the top, and one magnet on each side. To remove the surround, pull the bottom outwards and lift upwards until the slots "A" are clear of tabs "B" in the door. You may need to use a flat screwdriver to pull the door surround outwards. (*See figure 25a*).

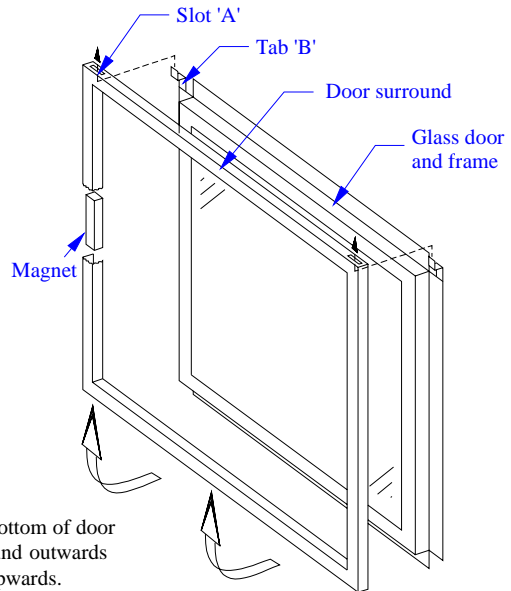


Figure 25a. Removing door surround.

### Removing the door:

To install/remove the glass door simply attach/remove the four (4) machine screws, align tabs at the bottom of the door with the slots in the bottom door rail (*See figure 25b*). Ensure that a good seal is maintained.

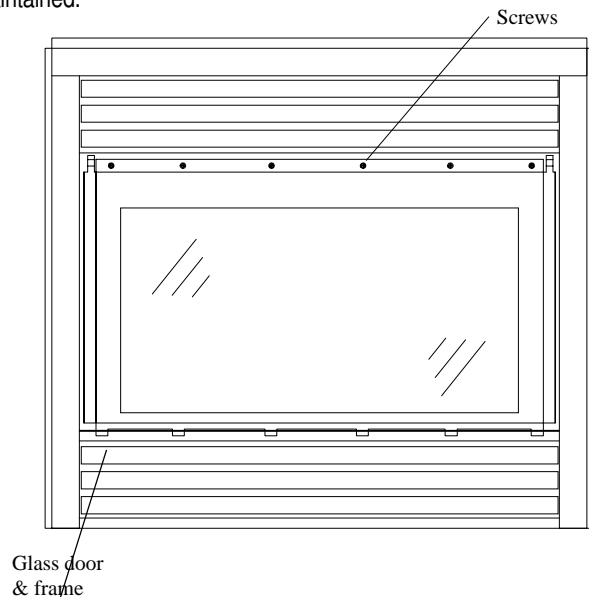


Figure 25b. Installing Glass Door.



## with Continuous Pilot

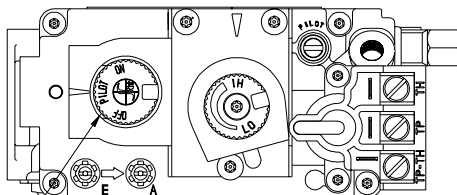
### For Your Safety - READ BEFORE LIGHTING:

**WARNING:** If you do not follow these instructions exactly, a fire or explosion may result causing property damage, personal injury or loss of life.

- A.** This appliance has a pilot which must be lighted by hand. When lighting the pilot, follow these instructions exactly.
- B. BEFORE LIGHTING** smell all around the appliance area for gas. Be sure to smell next to the floor because some gas is heavier than air and will settle on the floor.
  - What To Do If You Smell Gas:**
    - Do not try to light any appliance.
    - Do not touch any electrical switch; do not use any phone in your building.
    - Immediately call your gas supplier from a neighbour's phone. Follow the gas supplier's instructions.
- If you cannot reach your gas supplier, call the Fire Department.
- C.** Use only your hand to push in or turn the gas control knob. Never use tools. If the knob will not push in or turn by hand, don't try to repair it, call a qualified service technician. Force or attempt to repair may result in a fire or explosion.
- D.** Do not use this appliance if any part has been under water. Immediately call a qualified service technician to inspect the appliance and to replace any part of the control system, and any gas control which has been under water.

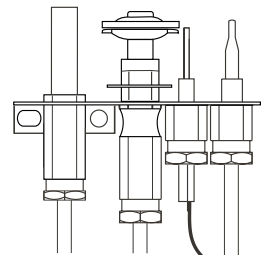
### Lighting Instructions:

- 1. STOP!** Read the safety information above on this label.
- 2.** Flip down lower horizontal trims.
- 3.** Push in gas control knob and turn clockwise ↻ to "OFF."
- 4.** Wait five (5) minutes to clear out any gas. Smell for gas, including near the floor. If you then smell gas, **STOP!** Follow "B" in the safety information above on this label. If you don't smell gas, go to the next step.
- 5.** Locate pilot burner (*See illustration at right.*) and follow steps below.
- 6.** Turn knob on gas control counterclockwise ↶ to "PILOT."
- 7.** Push in gas control knob completely and hold. Light with Piezo Igniter button. Continue to hold the control knob in for about (1) minute after the pilot is lit. Release the knob and it will pop back up. Pilot should remain lit. If it goes out repeat steps 3 through 8.
  - If knob does not pop up when released. Stop and immediately call your service technician or gas supplier.
  - If the pilot will not stay lit after several tries, turn the gas control knob to "OFF" and call your service technician or gas supplier.
- 8.** Push in gas control knob and turn counterclockwise ↶ to "ON."
- 9.** Flip up lower horizontal trims.
- 10.** Turn on remote switch to ignite fire.



Gas Control Knob  
(Shown in "Pilot" position.)

**NOTE:** Knob cannot be turned from "PILOT" to "OFF" unless knob is pushed in slightly. Do not force.



### To Turn Off Gas To Appliance:

- 1.** Turn off remote switch.
- 2.** Flip down lower horizontal trim.
- 3.** Push in gas control knob slightly and turn clockwise ↻ to "Off". Do not force.
- 4.** Flip up horizontal trim.



MD44-DV-I

# Operation - Model MD44-DV-I

*with Honeywell Intermittent Pilot*

## For Your Safety - READ BEFORE LIGHTING:

**WARNING:** If you do not follow these instructions exactly, a fire or explosion may result causing property damage, personal injury or loss of life.

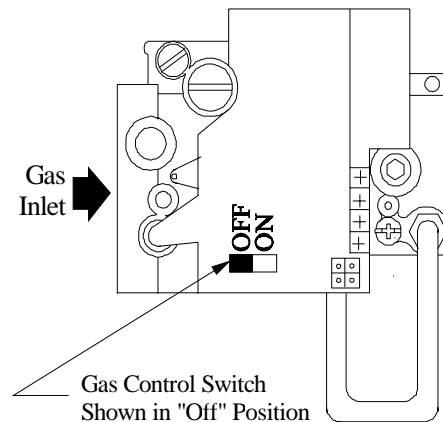
- A. This appliance is equipped with an ignition system that lights the pilot burner automatically. **Do not attempt to light the pilot by hand.**
- B. **BEFORE LIGHTING** smell all around the appliance area for gas. Be sure to smell next to the floor because some gas is heavier than air and will settle on the floor.
 

**What To Do If You Smell Gas:**

  - Do not try to light any appliance.
  - Do not touch any electrical switch; do not use any phone in your building.
  - Immediately call your gas supplier from a neighbour's phone. Follow the gas supplier's instructions.
- If you cannot reach your gas supplier, call the Fire Department.
- C. Use only your hand to push in or turn the gas control knob. Never use tools. If the knob will not push in or turn by hand, don't try to repair it, call a qualified service technician. Force or attempt to repair may result in a fire or explosion.
- D. Do not use this appliance if any part has been under water. Immediately call a qualified service technician to inspect the appliance and to replace any part of the control system, and any gas control which has been under water.

## Lighting Instructions:

1. **STOP!** Read the safety information above on this label.
2. Remove lower brass trims.
3. Turn switch on the gas control to "OFF".
4. Wait 5 minutes to clear out any gas. If you smell gas, **STOP!** Follow "B" in the safety information above on this label. If you don't smell gas, go to the next step.
5. Turn switch on the gas control to "ON". **NOTE:** This unit is equipped with an ignition system that lights the pilot burner automatically. **Do not attempt to light the pilot by hand.**
6. Turn on wall switch.
7. Replace lower brass trim.
8. If the fireplace does not operate, follow the instructions "To Turn Off Gas To Appliance" and call your service technician or gas supplier.



## To Turn Off Gas To Appliance:

1. Turn off remote switch.
2. Remove lower brass trim.
3. Turn the switch on the gas control to "Off".
4. Flip up horizontal trim.

**Operation** 

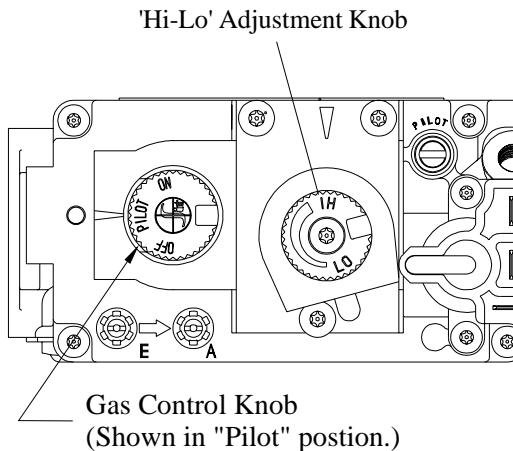
**Lighting Instructions**

See pages 13 and 14.

**Burner Adjustment**

The MD44-DV Homefire is equipped with an adjustable rear burner, allowing you to raise or lower the flames. To adjust the flames, locate the black knob marked 'Hi-Lo', in the centre of the gas control valve (See Figure 25). The front burners are not adjustable.

- To raise the flame height, turn the black knob (located behind the lower trim) **counterclockwise**.
- To lower the flame height, turn **clockwise**.



**Figure 25.** 'Hi-Lo' Adjustment on the MD44-DV's gas valve.

**Maintenance** 

**CAUTIONS**

- Fireplace gas control must be in the "OFF" position and pilot and main burners extinguished when cleaning appliance with a vacuum.
- Doors and logs can get very hot. Handle only when cool.

**General**

- Have the fireplace installation inspected yearly, including a visual check of the vent system, the burner and the pilot flame. For your convenience a 1/8" manifold pressure tap is supplied on the gas valve for a test gauge connection. See Figure 6.
- For **Natural Gas** this appliance requires a minimum inlet pressure of 5.5" W.C. and a manifold pressure of 3.5" W.C.
- For **Propane Gas** this appliance requires a minimum inlet pressure of 11" W.C. and a manifold pressure of 10.5" W.C.
- Always keep the fireplace area clear and free of combustible materials, as well as gasoline and other flammable vapours and liquids.
- Do not use this appliance *if any part has been under water*. Immediately call a qualified service technician to inspect the appliance and to replace any part of the control system and any gas control which has been under water.

**Cleaning**

When the fireplace is first activated, there may be some smoking and a visible film may be left on the glass. This is a normal condition, and is the result of burning of protective coatings on new metal.

- Glass must be cleaned periodically to remove any film (which is a normal byproduct of combustion) which may be visible. Film can easily be removed by removing the door, as shown on page 12. Handle the door carefully, and clean with normal liquid household products.
- Silicone seals on inner door during initial firing will "off gas", leaving a visual deposit of a white substance on combustion chamber walls. This can easily be removed using normal household products.
- Use a vacuum cleaner or whisk broom to keep the control compartment, burner, and firebox free from dust and lint.
- Logs may be cleaned periodically with a vacuum to remove soot and other contaminants.

**WARNING:**

- Do not attempt to clean glass when hot.
- Do not clean glass with abrasive materials as any glass etching may cause premature glass failure.



# Maintenance

## Gas Control Valve

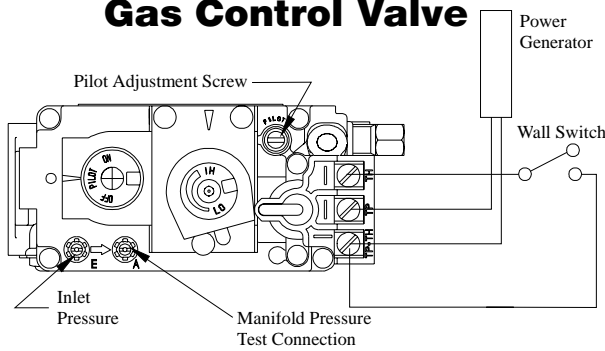


Figure 22. Sit 820 gas valve.

## Pilot Burner Adjustment

1. Remove Pilot Adjustment Cap. (See figure 22.)
2. Adjust pilot key to provide properly sized flame. (See figure 21.)
3. Replace pilot adjustment cap.
4. After installing or servicing, leak test with a soap solution with main burner on. Coat pipe and tubing joints, gasket etc. with soap solution. Bubbles indicate leaks. Tighten any areas where the bubbles appear until the bubbling stops completely.

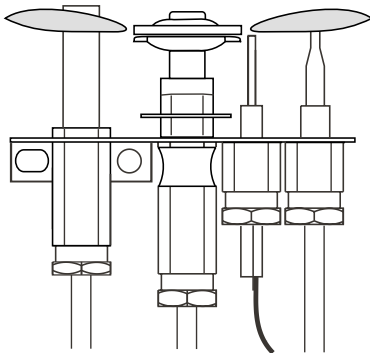


Figure 21. Pilot Burner

## Troubleshooting MD44-DV

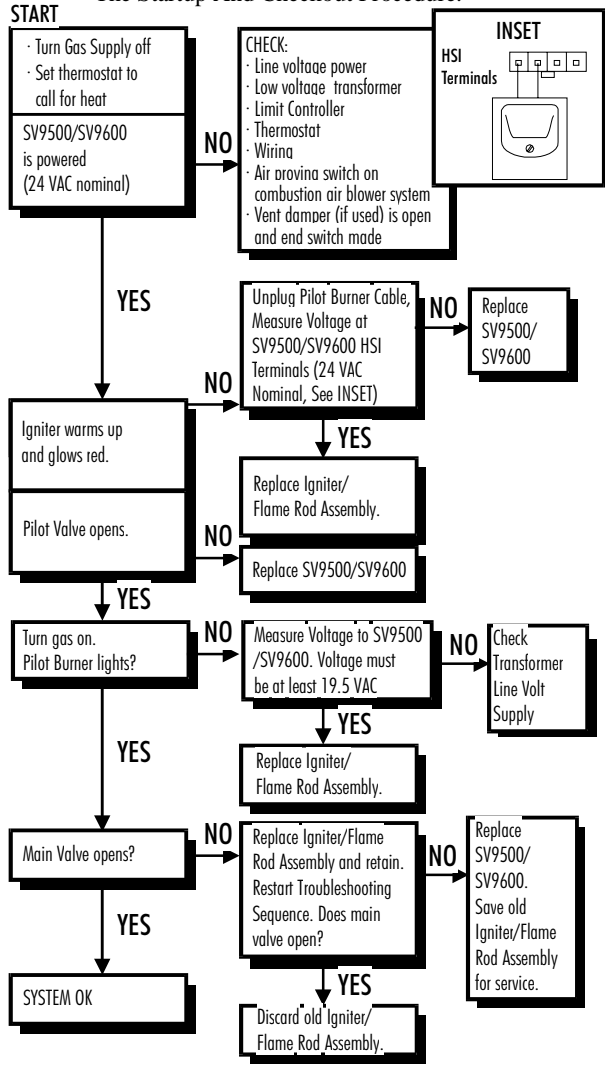
The following is a troubleshooting chart of possible problems:

PROBLEM	CORRECTIVE ACTION
Noisy Pilot Flame	Remove pilot adjuster cap, located next to gas shut off valve. Flame is decreased by turning adjustment screw clockwise.
Pilot won't ignite	Disconnect remote wires and try to light pilot. If pilot now works, remote connections are faulty. Check wiring diagram <b>figure 22</b>
Main burner will not light	1. Check wiring (see <b>figure 22</b> ) 2. Check wall switch for proper connection.

## Troubleshooting D44DV-I

### HONEYWELL SV 9500 /SV9600 Troubleshooting Sequence

**NOTE:** Before Troubleshooting, Familiarize Yourself With The Startup And Checkout Procedure.



If your fireplace still does not operate correctly, consult your dealer or the manufacturer.

**All service and repairs should be performed by a qualified agency.**

All spare parts, optional fans, and other accessories are available from the manufacturer or your local dealer.



# Warranty

## The Warranty

The Companies warrants the Montigo Gas Appliance to be free from defects in materials and workmanship at the time of manufacture. On the Montigo, there is a ten-year warranty on the firebox and its components, a five-year warranty on the main burner, and a one-year warranty on the pilot burner, gas control valve and fibre logs. Glass, plated/painted finishes, and refractory lining are exempt.

## Remedy And Exclusions

The coverage of this Warranty is limited to all components of the Gas Appliance manufactured by The Companies.

This Warranty only covers Montigo Gas Appliances installed in the United States or Canada.

If the components of the Gas Appliance covered by this Warranty are found to be defective within the time frame stated (see The Companies right of investigation outlined below). The Companies will, at its option, replace or repair defective components of the Gas Appliance manufactured by The Companies at no charge, and will also pay for reasonable labour costs incurred in replacing or repairing components. If repair or replacement is not commercially practical, The Companies will, at its option, refund the purchase price of the Montigo Gas Appliance.

This Warranty covers only parts and labour as provided above. In no case shall The Companies be responsible for materials, components, or construction which are not manufactured or supplied by The Companies, or for the labour necessary to install, repair or remove such materials, components or construction. All replacement or repair components will be shipped F.O.B. the nearest The Companies factory.

## Qualifications To The Warranty

The Gas Appliance Warranty outlined above is further subject to the following qualifications:

- (1) The Gas Appliance must be installed in accordance with The Companies installation instructions and local building codes. The Warranty on this Montigo Gas Appliance covers only the component parts manufactured by The Companies. The use of components manufactured by others with this Montigo Gas Appliance could create serious safety hazards, may result in the denial of certification by recognized national safety agencies, and could be in violation of local building codes. This warranty does not cover any damages occurring from the use of any components not manufactured or supplied by The Companies
- (2) The Montigo Gas Appliance must be subjected to normal use. The Gas Appliances are designed to burn gas only. Burning conventional fireplace fuels such as wood, coal or any other solid fuel will cause damage to the Gas Appliance, will produce excessive temperatures and will result in a fire hazard.

## Limitations On Liability

It is expressly agreed and understood that The Companies sole obligation, and purchaser's exclusive remedy under this Warranty, under any other warranty, expressed or implied, or in contract, tort or otherwise, shall be limited to replacement, repair, or refund, as specified above.

In no event shall The Companies be responsible for any incidental or consequential damages caused by defects in its products, whether such damage occurs or is discovered before or after replacement or repair, and whether or not such damage is caused by The Companies negligence. Some states do not allow the exclusion or limitation of incidental or consequential damages, so the above limitation or exclusion may not apply to you. The duration of any implied warranty with respect to this Montigo Gas Appliance is limited to the duration of the foregoing warranty. Some states do not allow limitation on how long an implied warranty lasts, so the above may not apply to you.

## Investigation Of Claims Against Warranty

The Companies reserves the right to investigate any and all claims against this Warranty and to decide upon method of settlement.

The Companies Are Not Responsible For Work Done Without Written Consent.

The Companies shall in no event be responsible for any warranty work done without first obtaining The Companies written consent.

Dealers Have No Authority To Alter This Warranty.

The Companies employees and dealers have no authority to make any warranties nor to authorize any remedies in addition to or inconsistent with those stated above.

## How To Register A Claim Against Warranty

In order for any claim under this Warranty to be valid, The Companies must be notified of the claimed defect in writing or by telephone, as soon as reasonably possible after the defect is discovered. Claims against this Warranty in writing should include the date of installation, and a description of the defect.

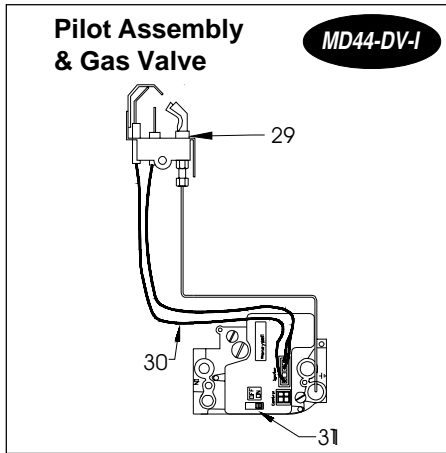
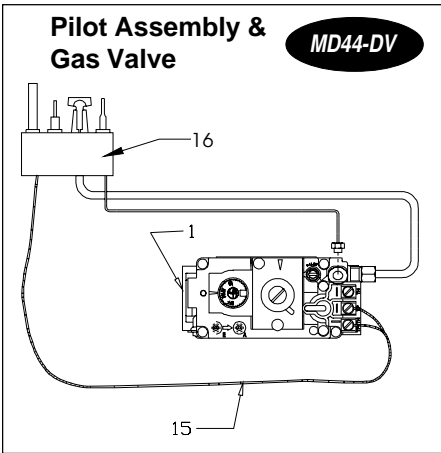
## Other Rights

This Warranty gives you specific legal rights, and you may also have other rights which vary from state to state.

**NOTE:** The Companies as stated above refer to - Canadian Heating Products Inc. and/or Montigo Del Ray Corp.

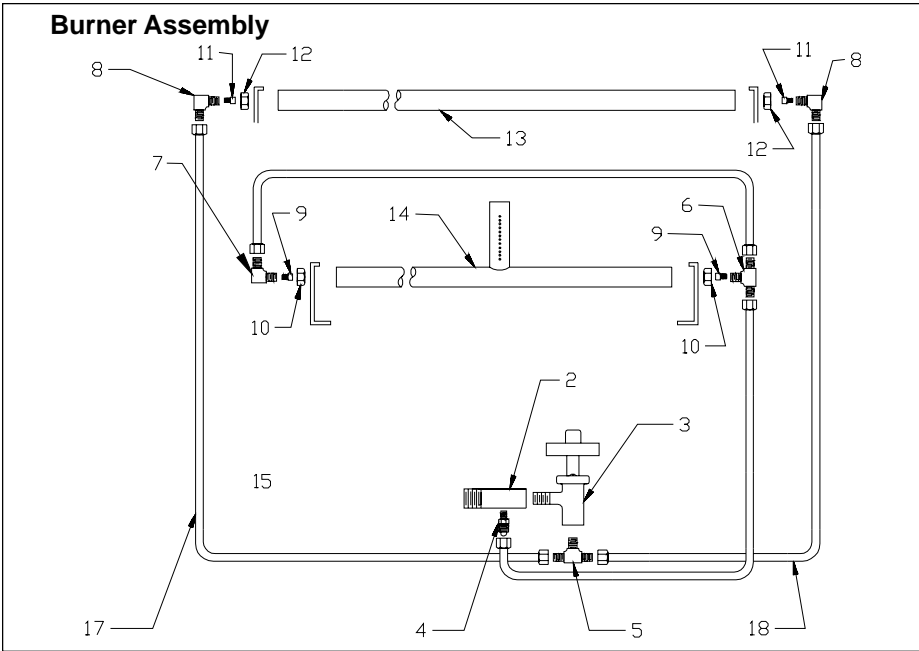
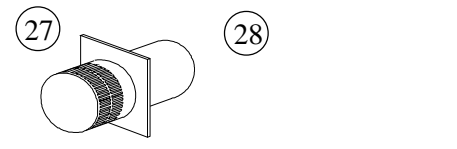
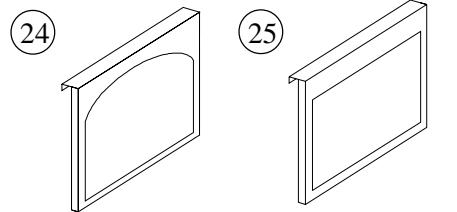
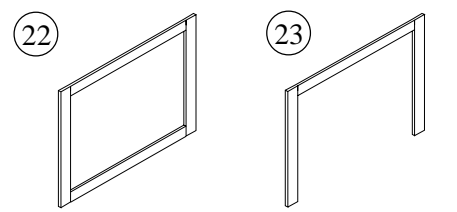
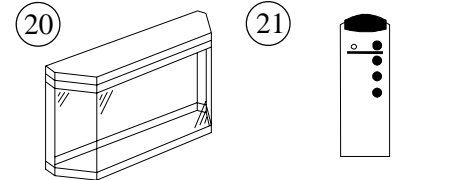
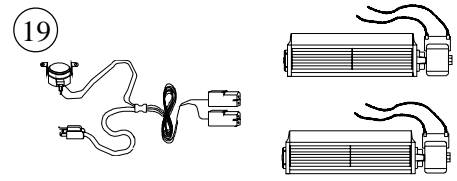
*Canadian Heating Products Inc. and/or Montigo DelRay Corp. reserves the right to make changes at any time, without notice, in design, materials, specifications, prices and also to discontinue colors, styles and products.*

# Appendix A - Spare Parts



- 1. Gas Control Valve - Sit Nova 820
- 15. Wire Harness
- 16. Pilot Burner Ass'y (Precision Speed Equip. X-10A)

- 29. Gas Control Valve - Honeywell SV9501M
- 30. Wire Harness
- 31. Pilot Burner Ass'y (Honeywell Q3450)

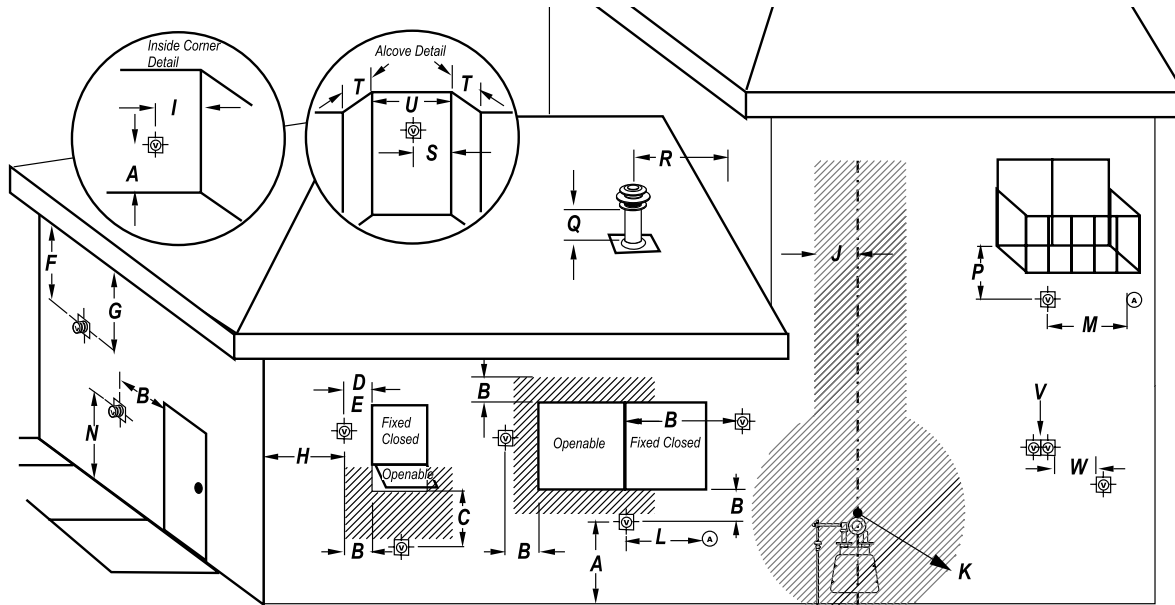


- 2. Valve Nipple B-AC012
- 3. (deleted)
- 4. Connector 1/4" tube to 1/8" pipe
- 5. Brass Tee
- 6. Brass Tee
- 7. 90° Elbow
- 8. 90° Elbow
- 9. Orifice (front burner)

- 10. Jam Nut (1/4")
- 11. Orifice (rear burner)
- 12. Jam Nut (5/16")
- 13. Rear Burner
- 14. Front Burner
- 17. Rear Burner Tubing (5/16")
- 18. Front Burner Tubing (1/4")
- 19. Optional Blower Kit (RFK1060)

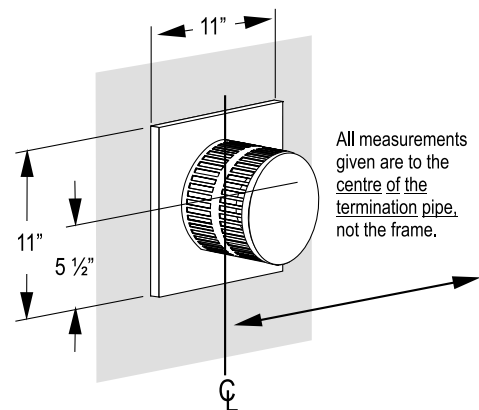
- 20. Add-on Bay Window
- 21. Remote Control
- 22. 4-Piece Picture Frame Surround (PFS)
- 23. 3-Piece Picture Frame Surround (PFO)
- 24. Door Frame, Arched (DFA)
- 25. Door Frame, Square (DFO)
- 26. Horizontal Trim Kits
- 27. MTO-3/-3F Termination

# Appendix B - Termination Locations



⊕ = vent termination   ⊙ = air supply inlet   ▨ = area where termination is not permitted

- A** = clearance to the termination frame above grade, veranda, porch, deck, or balcony [16 inches (41 cm) minimum]
- B** = clearance to door, or sides and top of window, that may be opened [16 inches (41 cm) minimum for appliances ≤100 000 BTU/H (30kW)]
- C** = clearance to bottom of window that may be opened horizontally [36 inches (92 cm) minimum for appliances ≤100 000 BTU/H (30kW)]
- D** = no clearance to permanently closed window when installed with approved glass penetration termination
- E** = clearance to permanently closed window [16 inches 41 cm recommended to prevent condensation on window]
- F** = vertical clearance to ventilated soffit located above the termination within a horizontal distance of 2 feet (61 cm) from the centreline of the termination [22 inches (56 cm) minimum]
- G** = clearance to unventilated soffit [16 inches (41 cm) minimum to non-combustibles] [22 inches (56 cm) minimum to combustibles]
- H** = clearance to outside corner [9 inches (23 cm) minimum]
- I** = clearance to inside corner [12 inches (31 cm) minimum]
- J** = \* not to be installed above a meter/regulator assembly within 40" (103 cm) horizontally from the centreline of the regulator
- K** = clearance to service regulator vent outlet [3 feet minimum in the United States] [6 feet (1.8 m) minimum in Canada]
- L** = clearance to nonmechanical air supply inlet to building or the combustion air inlet to any other appliance [16 inches (41 cm) minimum for appliances ≤100 000 BTU/H (30kW)]
- M** = clearance to mechanical air supply inlet [6 feet (1.8 m) minimum]
- N** = † clearance above paved sidewalk or a paved driveway located on public property [7 feet (2.1 m) minimum]
- P** = clearance under veranda, porch, deck, or balcony [16 inches (41 cm) minimum† to non-combustibles] [22 inches (56 cm) minimum† to combustibles]
- Q** = clearance above a roof [24 inches (61 cm) minimum]
- R** = clearance to adjacent walls and neighbouring buildings [18 inches (46 cm) minimum]
- S** = clearance from corner in recessed location [12 inches (31 cm) minimum]
- T** = maximum depth in recessed location [48 inches (122 cm) minimum]
- U** = minimum width for back wall of recessed location [24 inches (61 cm) minimum]
- V** = no horizontal clearance between the frames of two terminations that are level.
- W** = horizontal clearance between the frames of two terminations that are not level. [36 inches (92 cm) minimum]





XG0120 Rev. 02 07-02

---

**Canadian Heating Products Inc.**  
Langley, BC V4W 4A1

**Montigo Del Ray Corp.**  
Ferndale, WA 98248