

SPEC SHEET

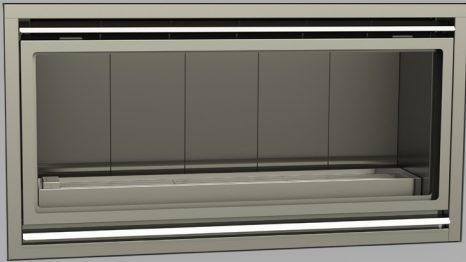
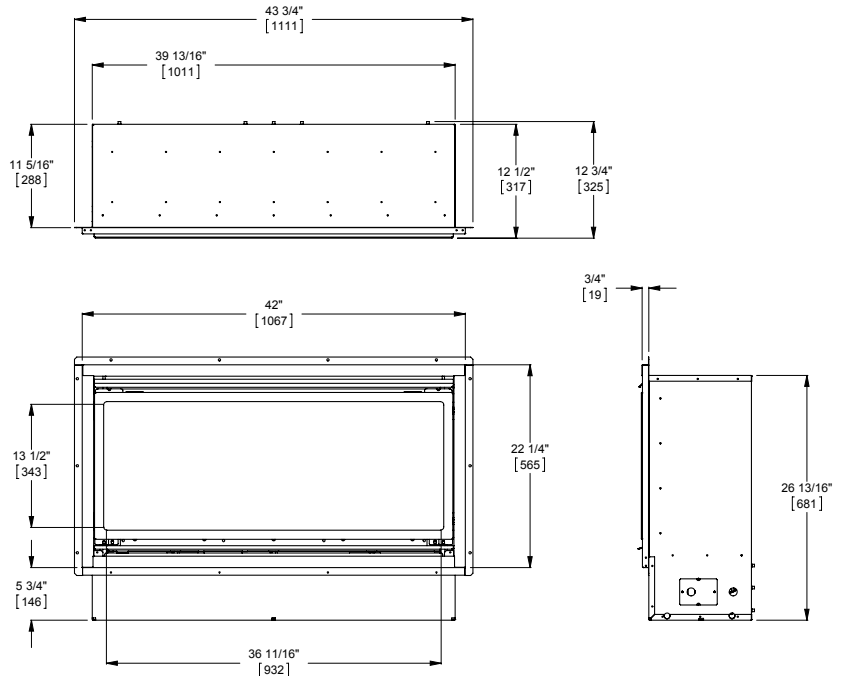
PL42VO



OUTDOOR GAS FIREPLACE

DIMENSIONS

PART	ACTUAL	FRAMING
FRONT WIDTH	42"	41 1/2"
BACK WIDTH	39 3/4"	41 1/2"
HEIGHT	26 7/8"	28"
DEPTH	11 3/8"	11 3/4"
VIEWING AREA	36 3/4"	13 1/2"



FEATURES

- High Quality 304 stainless steel construction
- Patented design by Montigo, #8,567,387
- Glass window, providing a picture perfect flame even on a windy day
- Built-in blower will provide a curtain of warm air on a cool evening
- No masonry structure required, listed for wood frame construction

TECHNICAL SPECIFICATIONS

- Highly featured contemporary unit with compact design for ease of installation
- Max. BTU Input: 28,000 BTU/hr NG/LP
- Ignition System: Honeywell Smart Valve rated for up to -40° operation
- Optional touchscreen remote control for ON/OFF flame control
- Optional multicolor LED light with full function remote control
- Gas Type: Natural or LP
- Flex line with On/Off shut-off valve included
- CSA Design Certified
- Supplied with a waterproof control box*
- 2015 standard safety screen
- High Capacity Blowers with speed control standard for warm air circulation

* Requires GFCI protected circuit

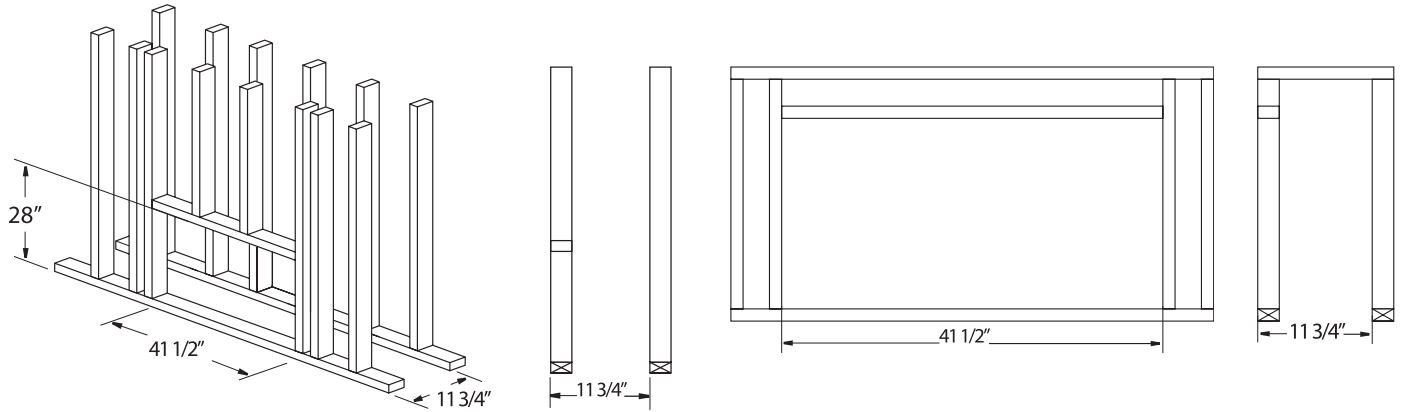
SPEC SHEET

PL42VO



OUTDOOR GAS FIREPLACE

FRAMING SPECIFICATIONS



CLEARANCE SPECIFICATIONS

- Full combustible construction allowed including facing material
- 3" minimum clearance to front side wall
- Minimum clearance to ceiling (from fireplace opening): 36 "
- Distance to combustible material in front: 36 "
- Flush to floor installation allowed*

* See minimum height above grade requirement



The warmth & comfort of your living room, now on your patio