

H-Series-ST direct vent



H38-ST shown with (L)inear burner option.

an experienced leader in the gas fireplace industry



The Art Of Fire Places

H-Series-ST direct vent

Features Common to All Models:

- H(L)38-ST Fireplace may be installed using convertible Top, or Rear Direct Vent flue outlet for maximum versatility.
- H42-ST Fireplace may only be installed using Top Vent.
- Clean-Face Design allows for brick or tile installation over the fireplace frame
- Unique pan burner design and technology
- Classic contemporary styling to fit your decor
- Large viewing area for a full view of the spectacular fire
- Snap-Lock door system for tool free access inside the firebox
- Hi/Lo control for adjusting flame level
- Piezo spark ignition
- Millivolt control allows for continuous operation, even during a power failure
- 100% fail-safe shut-off valve
- Optional Wireless remote control



H38-ST shown with Traditional fibre logset.

Design Options:

- 2-150-CFM squirrel-cage fan kit available to increase heat circulation. The kit is available with optional heat-activated control
- Factory installed electronic ignition with available battery backup and optional remote control.

Available Models:

H(L)38DV-ST (Standing Pilot)

H(L)38DV-ST-A (Battery Back-up System)

H42DV-ST (Standing Pilot)

H42DV-ST-A (Battery Back-up System)

H(L)38DV-ST

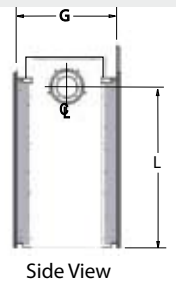
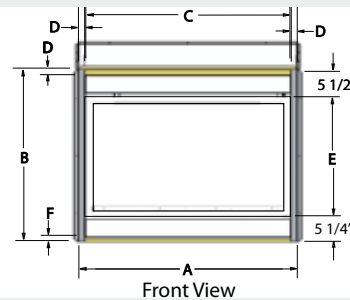
- 34,000 BTU/H on Natural Gas & Propane
- 34 3/4" X 24 1/2" Glass Door Size

H42DV-ST

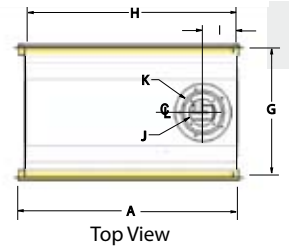
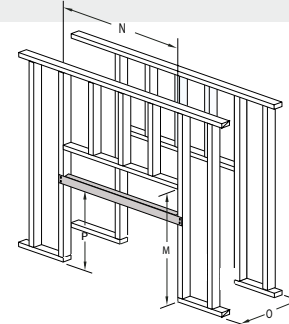
- 37,000 BTU/H on Natural Gas & Propane
- 39 1/2" X 28 1/2" Glass Door Size

fireplace dimensions

| | A | B | C | D | E | F | G | H | I | J | K | L |
|-------------|--------------------------------|--------------------------------|--------------------------------|-------------------------------|--------------------------------|---|--------------------------------|--------------------------------|-------------------------------|---|---|--------------------------------|
| H(L)38DF-ST | 37 ³ / ₄ | 36 ¹ / ₂ | 34 ³ / ₄ | 1 ¹ / ₄ | 24 ¹ / ₂ | 1 | 23 ⁷ / ₈ | 35 ³ / ₄ | 7 ¹ / ₈ | 5 | 8 | 33 ¹ / ₂ |
| H42DF-ST | 42 | 40 ¹ / ₂ | 39 ¹ / ₂ | 1 ¹ / ₄ | 28 ¹ / ₂ | 1 | 23 ⁷ / ₈ | 40 ¹ / ₂ | 7 ¹ / ₈ | 5 | 8 | 37 ¹ / ₂ |



framing dimensions



| | M | N | O | P |
|-------------|--------------------------------|--------------------------------|--------------------------------|--------------------------------|
| H(L)38DF-ST | 42 ¹ / ₂ | 40 ³ / ₄ | 23 ³ / ₄ | N/A |
| H42DF-ST | 49 ¹ / ₂ | 45 | 23 ³ / ₄ | 46 ¹ / ₂ |



Consult the owner's manual for complete installation instructions and proper clearances to combustible surfaces prior to installing fireplace.

Warranty: The manufacturer warrants this fireplace to be free from defects in materials and workmanship at the time of manufacture. There is a limited 10 year warranty on the firebox; 5 year limited warranty on the burner and 1 year limited warranty on the pilot burner assembly and fan motors (if included). The valve carries a limited 1 year warranty unless otherwise specified in the installation manual. Glass, plated/painted finishes and refractory lining are exempt.

All specifications, framing dimensions, product designs, materials and colors are subject to change without notice. The actual flame pattern and color may vary slightly from the illustrations. Diagrams and illustrations are not to scale.



MONTIGO DELRAY CORP.

Part#XB1022 - 013108• Printed in Canada

Langley, BC • Ferndale, WA

Phone : (800) 378-3115 Fax: (866) 300-0927

Email: fireplaces@montigo.com • Website: www.montigo.com